

THIS COPY IS PROVIDED ON A RESTRICTED BASIS AND IS NOT TO BE USED IN ANY WAY DETRIMENTAL TO THE INTERESTS OF PANDUIT CORP.

Material	High Conductivity Seamless Copper Tube
Plating	Electro-Tin
UL Listed Wire Connector	Yes, for applications up to 35kv. Consult cable manufacturer for voltage stress relief instructions with applications greater than 2000 volts.
UL Temperature Rating	90° C
C.S.A Certified Wire Connector	Yes

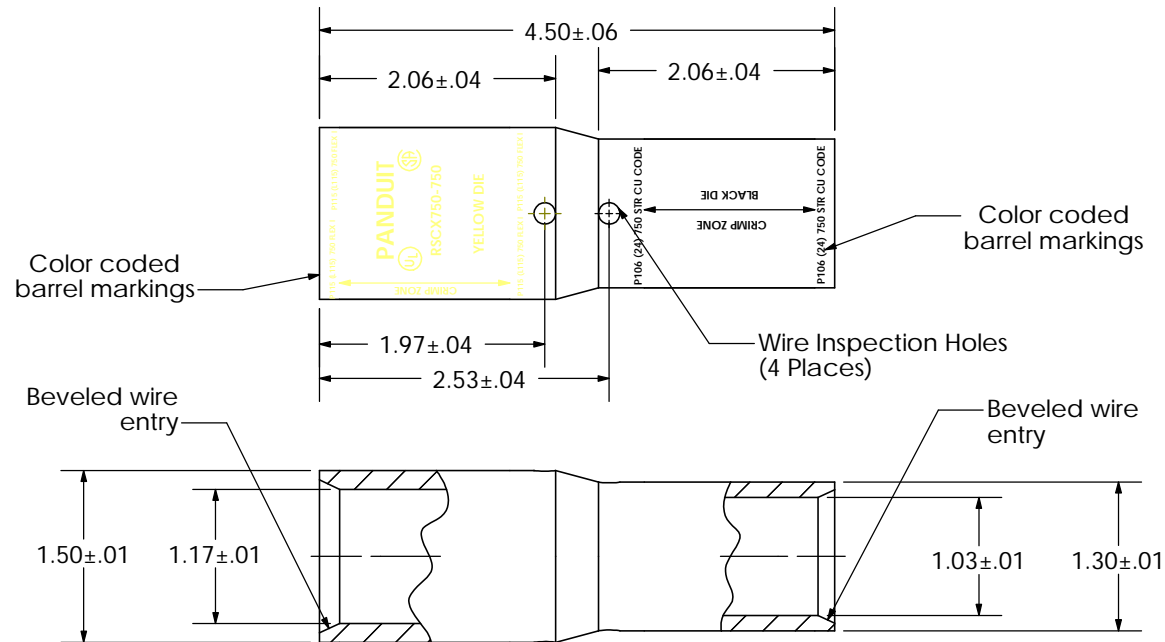
	From	To
Wire Sizes	750 kcmil	750 kcmil
Wire Types	Stranded Copper Flex; Class I	Stranded Copper; Class B: Compact, Compressed or Concentric, Class C: Concentric
Wire Strip Lengths	2.0 in.	2.0 in.
Panduit Color Code on Barrels	YELLOW	BLACK
Panduit Die Index No. on Barrels	P115	P106
Alternate Industry Die Index No. () on Barrels	(L115)	(24)



CERTIFIED



LISTED Wire Connector



04	4/04	JHNU	CSH
REV	DATE	BY	CHK

Panduit Color Code on Barrel in "From" column was ORANGE; now YELLOW. Panduit Die Index No. on Barrel in "From" column was P107; now P115. Alternate Industry Die Index No. in "From" column was (25); now (L115).			
DESCRIPTION			

11678
ECN

PANDUIT CORP. TINLEY PARK, ILLINOIS

RSCX750-750-3
Copper Reducing Splice With Inspection Holes

SCALE N/A	DRAWING NO / CAD FILE RSCX750-750-CUST
--------------	---