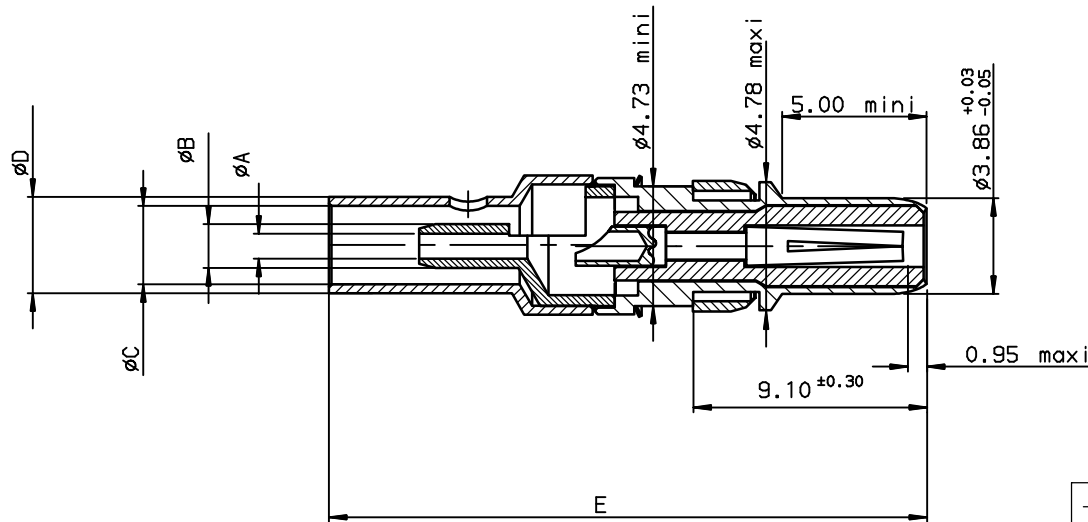
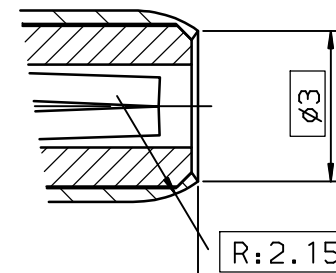


| | | | | | | | |
|---------------|--------------------------|--|--|--|---------------------------|-------|-----------|
| DM537405000NC | COAXIAL CONTACTS STRAIGT | 1.00 | 1.75 | 2.32 | 3.20 | 22.40 | RG 178 BU |
| DM537405008NC | COAXIAL CONTACTS STRAIGT | 1.00 | 1.75 | 2.32 | 3.20 | 23.60 | RG 178 BU |
| DM537405002NC | COAXIAL CONTACTS STRAIGT | 2.75 | 4.00 | 5.09 | 5.95 | 26.30 | RG 180 BU |
| Ref contact | Designation | ϕA ^{+0.10} ₀ | ϕB ^{+0.} _{-0.10} | ϕC ^{+0.10} ₀ | ϕD ^{±0.10} | E | Ref cable |



DETAIL ACTIVE AREA



NOTE:RoHS INFORMATIONS
 - These products meet European union Directives and other country regulations as described in GS-22-008. (RoHS Compliant products)
 - Packaging spec: see GS-14-920

| | |
|-------------|-----------|
| Part number | SEE TABLE |
|-------------|-----------|

ELECTRICAL CHARACTERISTICS

dielectric with standing voltage 2800V eff.
 break down voltage 3200V eff.
 insulation resistance 10⁶ M OHMS
 contact resistance < 5 m OHMS

MECHANICAL CHARACTERISTICS

mating force per set of contact 3 N
 mating endurance 200
 temperature -55° to +125 °C

TOOLING

coaxial contact extraction tool 8630-07A

| | | | | |
|--------------------|--------|---|-----------------------------------|---|
| www.fciconnect.com | | surface ISO 1302 ✓ | tolerance std ISO 406 ISO 1101 | projection mm |
| | | TOLERANCES UNLESS OTHERWISE SPECIFIED | | |
| Dr | PESSON | 1996/07/01 | ANGULAR | 0.x ±0.1 |
| Eng | PESSON | 1996/07/01 | LINEAR | 0.xx ±0.1 |
| Chr | LEGARE | 1996/07/01 | 0.xx' ±2' | 0.xxx ±0.1 |
| Appr | LEGARE | 1996/07/01 | Product family | D-SUB |
| | | Spec ref | | - |
| | | MALE COAX CONTACT STRAIGHT SOLDER VERSION | | size A3 Scale 5 |
| catalog no | | - | | ECN L506-0095 Rev. D |
| | | CUSTOMER | | sheet 1 of 1 |

| rev | ecn no | dr | date |
|-----|-----------|-----|------------|
| B | - | JAR | 2000/02/02 |
| C | LS05-0026 | MPE | 2005/07/08 |
| D | LS06-0095 | LGO | 2006/07/19 |
| - | - | - | - |
| - | - | - | - |
| - | - | - | - |



Copyright FCI.