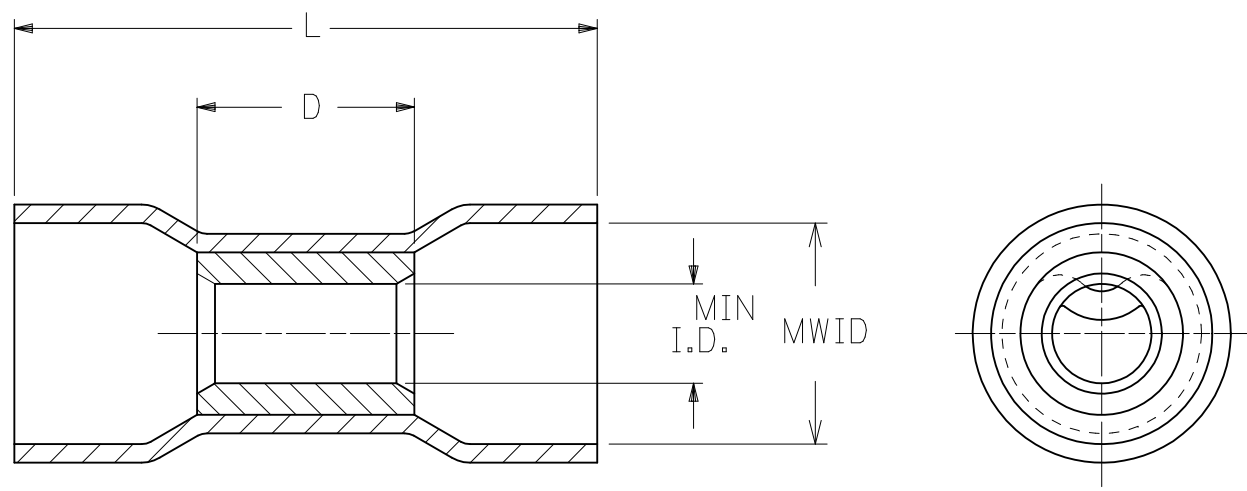


| MATERIAL NUMBER | ENGINEERING P/N | WIRE SIZE | INSULATION COLOR | I.D. MIN. | MWID* | "D" MAX. | "L" MAX. |
|-----------------|-----------------|-----------|------------------|-------------|---------------|--------------|-------------|
| 192060012 | D-655X | 8 | RED | .165 / 4.19 | .33 / 8.3 (A) | .398 / 10.11 | 1.07 / 27.2 |
| 192060013 | E-66 IX | 6 | BLUE | .230 / 5.84 | .44 / 11.1 | .467 / 11.86 | 1.30 / 33.0 |
| 192060015 | F-655X | 4 | YELLOW | .277 / 7.03 | .60 / 15.2 | .537 / 13.64 | 1.39 / 35.3 |

(A)



NOTES:

- MATERIALS:
 SPLICE: MATTE-TIN PLATED COPPER
 INSULATION: PVC
- MWID = MAXIMUM WIRE INSULATION DIAMETER
- PARTS ARE ROHS COMPLIANT.

REDRAWN FROM DOC CD-21100

(A)

| | | | | | | | | |
|--|--------------------------------------|--|-----------|-----------------|---|--|--|--|
| REDRAW, D MWID EC NO: WNA2011-0558 DRWN:ETHRODAHL 2011/05/12 CHKD:JMACNEIL 2011/05/12 APPR:JMACNEIL 2011/05/12 | QUALITY SYMBOLS | GENERAL TOLERANCES (UNLESS SPECIFIED) | | DIMENSION STYLE | SCALE | DESIGN UNITS | THIRD ANGLE PROJECTION | |
| | $\blacktriangledown=0$ $\nabla=0$ | mm | INCH | (A) | --- | INCH | | |
| | | 4 PLACES | \pm --- | \pm --- | DRAWN BY | DATE | TITLE INSULKRIMP SEAMLESS PARALLEL CONNECTORS SALES DRAWING | |
| | | 3 PLACES | \pm --- | \pm .005 | RCM | 1996/04/15 | | |
| | 2 PLACES | \pm 0.13 | \pm .01 | CHECKED BY | DATE | MOLEX INCORPORATED DOCUMENT NO. SD-19206-001 (A) SHEET NO. 1 OF 1 | | |
| | 1 PLACE | \pm 0.25 | \pm --- | RWD | 1996/04/15 | | | |
| | | ANGULAR \pm ---° | | APPROVED BY | DATE | | | |
| | | DRAFT WHERE APPLICABLE MUST REMAIN WITHIN DIMENSIONS | | JMACNEIL | 2011/05/12 | | | |
| | | | | MATERIAL NO. | SEE CHART | | | |
| | | | | SIZE | THIS DRAWING CONTAINS INFORMATION THAT IS PROPRIETARY TO MOLEX INCORPORATED AND SHOULD NOT BE USED WITHOUT WRITTEN PERMISSION | | | |