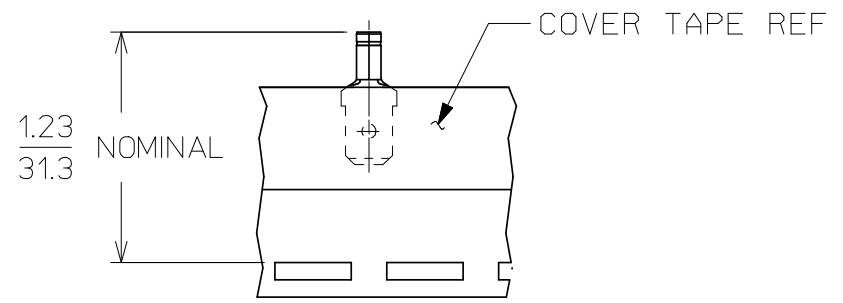
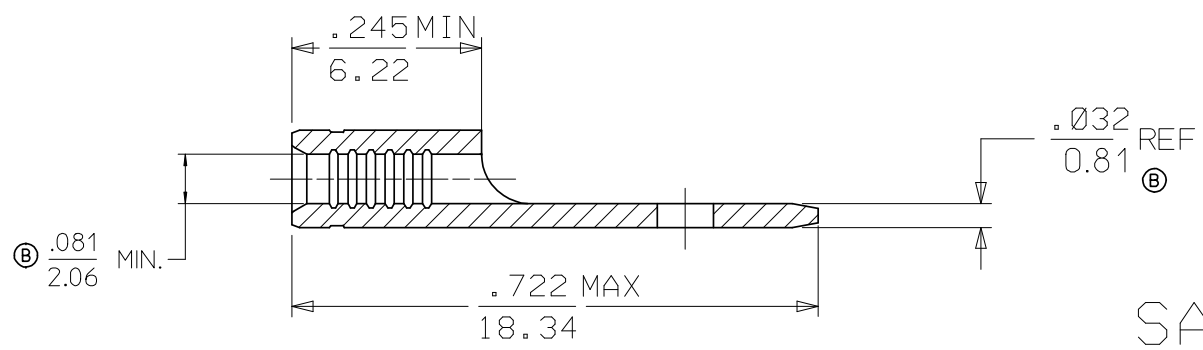
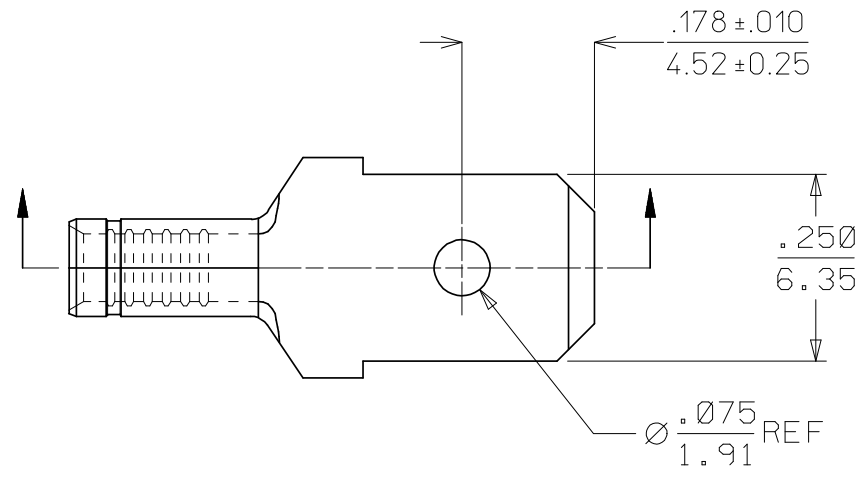


MATERIAL NO.	ENGINEERING NO.	DESCRIPTION
190220018	MCT-1	ZINC CHROMATE PLATED
190220057 (B)	SPL-0040	TIN PLATED
190220026	MCT-1T	ZINC CHROMATE PLATED, TAPE MOUNTED



TAPE MOUNTING LOCATION
FOR 190220026, MCT-1T



SALES DRAWING

- (B) NOTES:
1. MATERIAL: BRASS
 2. FINISH: SEE CHART
 3. WIRE SIZE: 16-14 AWG (1.23-1.94 mm²)
 4. TAB DIMENSIONS CONFORM TO UL310 SPECIFICATIONS.
 5. PART IS ROHS COMPLIANT.

DEL. NO.	EC. NO.	DRAWN BY	DATE	CHECKED BY	DATE	APPROVED BY	DATE	GENERAL TOLERANCES (UNLESS SPECIFIED)		DIMENSION STYLE		SCALE	DESIGN UNITS	THIRD ANGLE PROJECTION
								mm	INCH	IN/MM	4:1	INCH	INCH	
B	ETIC2007-0081	R. STONE	2007/08/14	J. MACNEIL	2007/08/16	J. MACNEIL	2007/08/16	4 PLACES ± .005	± .005	IN/MM	4:1	INCH	THIRD ANGLE PROJECTION	
		J. MACNEIL	2007/08/16	J. MACNEIL	2007/08/16			3 PLACES ± .013	± .01					
								2 PLACES ± 0.25	± .01					
								1 PLACE ± 0.25	± .01					
								ANGULAR ± 1/2°						
DRAFT WHERE APPLICABLE MUST REMAIN WITHIN DIMENSIONS								SEE CHART		DOCUMENT NO. SD-19022-011		SHEET NO. 1 OF 1		
THIS DRAWING CONTAINS INFORMATION THAT IS PROPRIETARY TO MOLEX INCORPORATED AND SHOULD NOT BE USED WITHOUT WRITTEN PERMISSION														