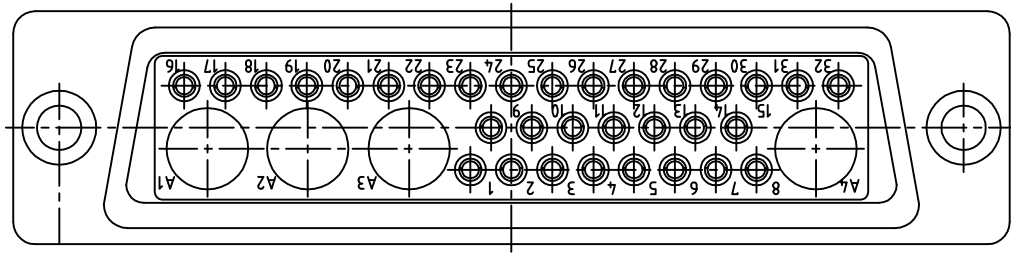
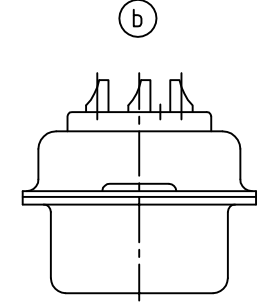
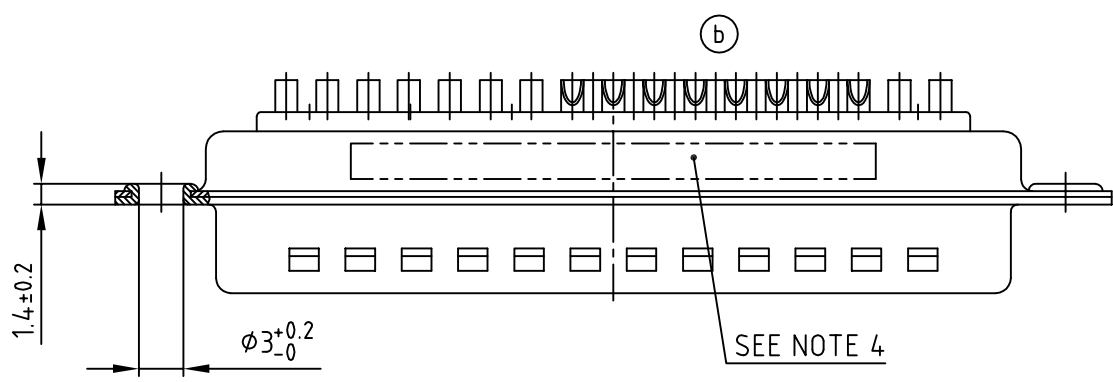
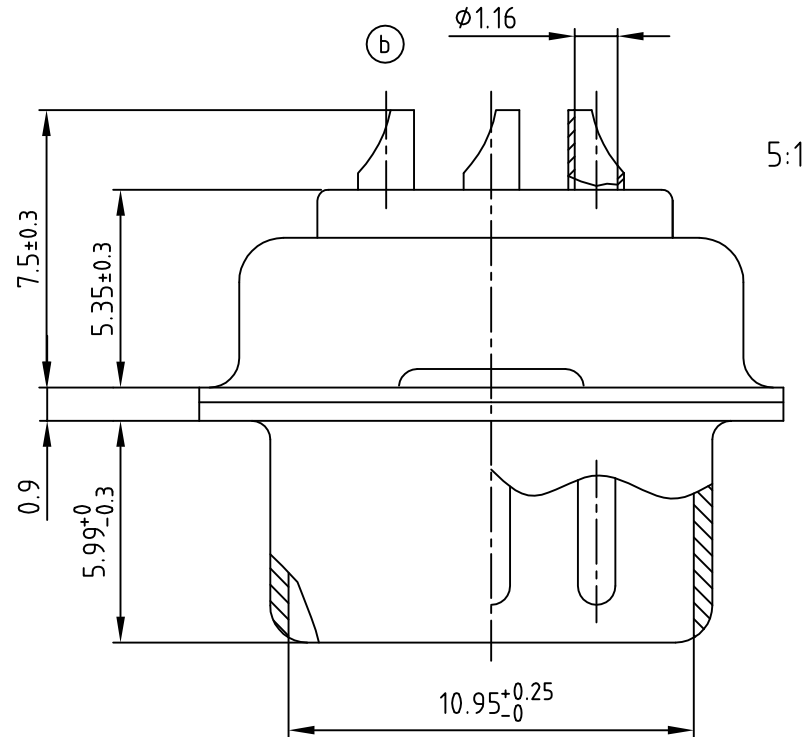
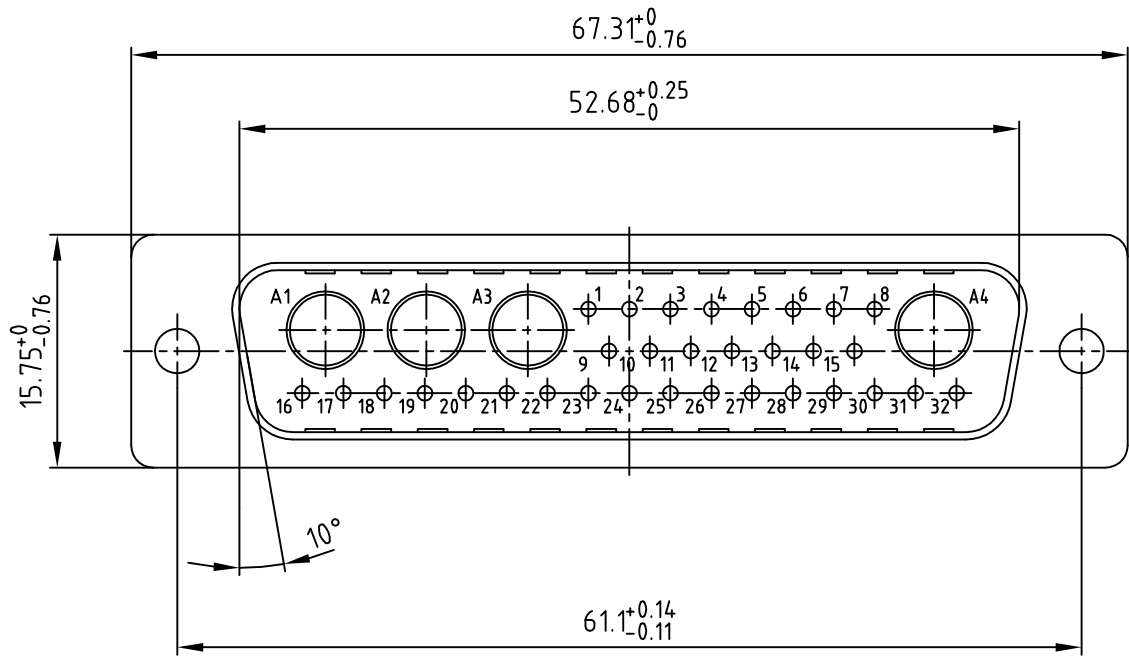


used for: D-SUB COMBINATION



- NOTES:
- METALSHELLS: STEEL; min. 320µin TIN
  - INSULATORS: PBT GF UL 94 V-0, GREEN
  - SIGNAL CONTACTS: COPPER ALLOY  
PLATING: GOLD FLASH over NICKEL  
SOLDER CUP ACCEPTS CABLE AWG 20
  - CONNECTOR IS PART MARKED: 3036W4PAM99A10X CONEC ABC

Directive 2002/95/EC RoHS compliant

APPROVAL # FREIGABE # DEBLOCAGE # AUTORIZACION # APPROVAL	
CUSTOMER APPROVAL DATE:	
NAME:	TITLE:
COMPANY NAME:	
APPROVAL # FREIGABE # DEBLOCAGE # AUTORIZACION # APPROVAL	

THIS DRAWING MAY NOT BE COPIED OR REPRODUCED IN ANY WAY, AND MAY NOT BE PASSED ON TO A THIRD PARTY WITHOUT WRITTEN PERMISSION. OWNERSHIP AND COPYRIGHT OF CONEC GmbH DO NOT ALTER CAD DRAWING BY HAND			
3 x b	Ä3900	17.02.2011	Gitinow
a	Origin		
rev.	description	date	name

tolerance		scale:	2:1 (5:1)
	dim. in mm	material:	SEE NOTES
2005	date	name	title: D-SUB COMBINATION MALE 36W4P SOLDER CUP
drawn	14.02.	Schmidt	
appd.	14.02.	Mickenbecker	
	norm		dwg no: AutoCAD 2004 DIN-A
	d-old		
part no: 3036W4PAM99A10X		sh:1/1	

