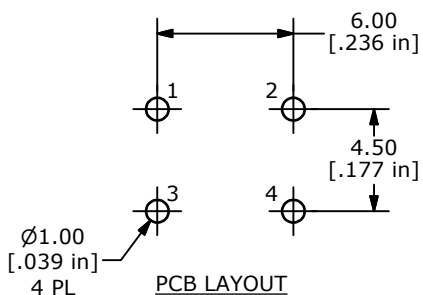
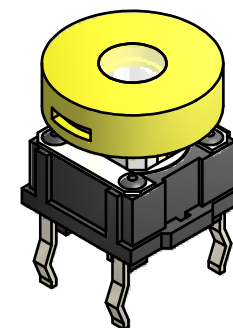
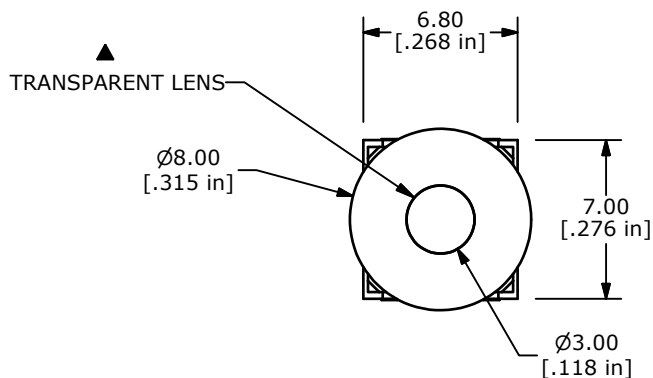


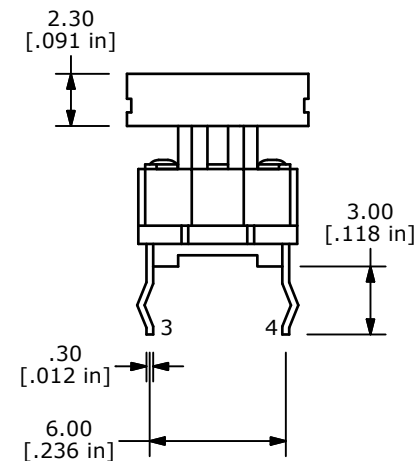
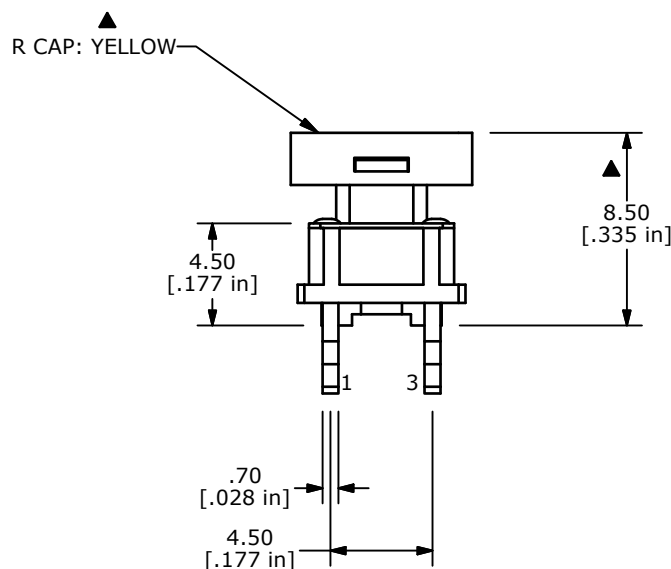
CIRCUIT: SPST ▲



PCB LAYOUT

NOTES:

1. ALL DIMENSIONS IN MM
2. GENERAL TOLERANCE: X.X=±0.4
X.XX=±0.25
3. RATING: 50mA, 12VDC
- ▲4. TRAVEL: 0.2 ±0.1
5. OPERATING FORCE: 160±50gf
6. CONTACT RESISTANCE: 100m-Ohms MAX
7. CONTACT MATERIAL: SILVER
8. OPERATING LIFE: 500,000 CYCLES
9. INSULATION RESISTANCE: 100M-Ohms MIN
10. DIELECTRIC STRENGTH: 500VDC FOR 1 MINUTE
- ▲11. LED COLOR: NONE
12. OPERATING TEMPERATURE: -20° C TO 70° C
13. 2002/95/EC (ROHS) COMPLIANT
14. ▲DENOTES CRITICAL PARAMETER



TITLE TL1265AQRYEL

A	20000	RELEASE FOR PRODUCTION	6/16/11	BGL
REV	PCR NO	DESCRIPTION	DATE	BY

THE INFORMATION CONTAINED IN THIS DOCUMENT IS PROPRIETARY TO E-SWITCH AND IS NOT TO BE COPIED OR TRANSFERRED

SCALE	DATE	DR	DWG	REV
3:1	6/16/2011	BGL	B200035	A