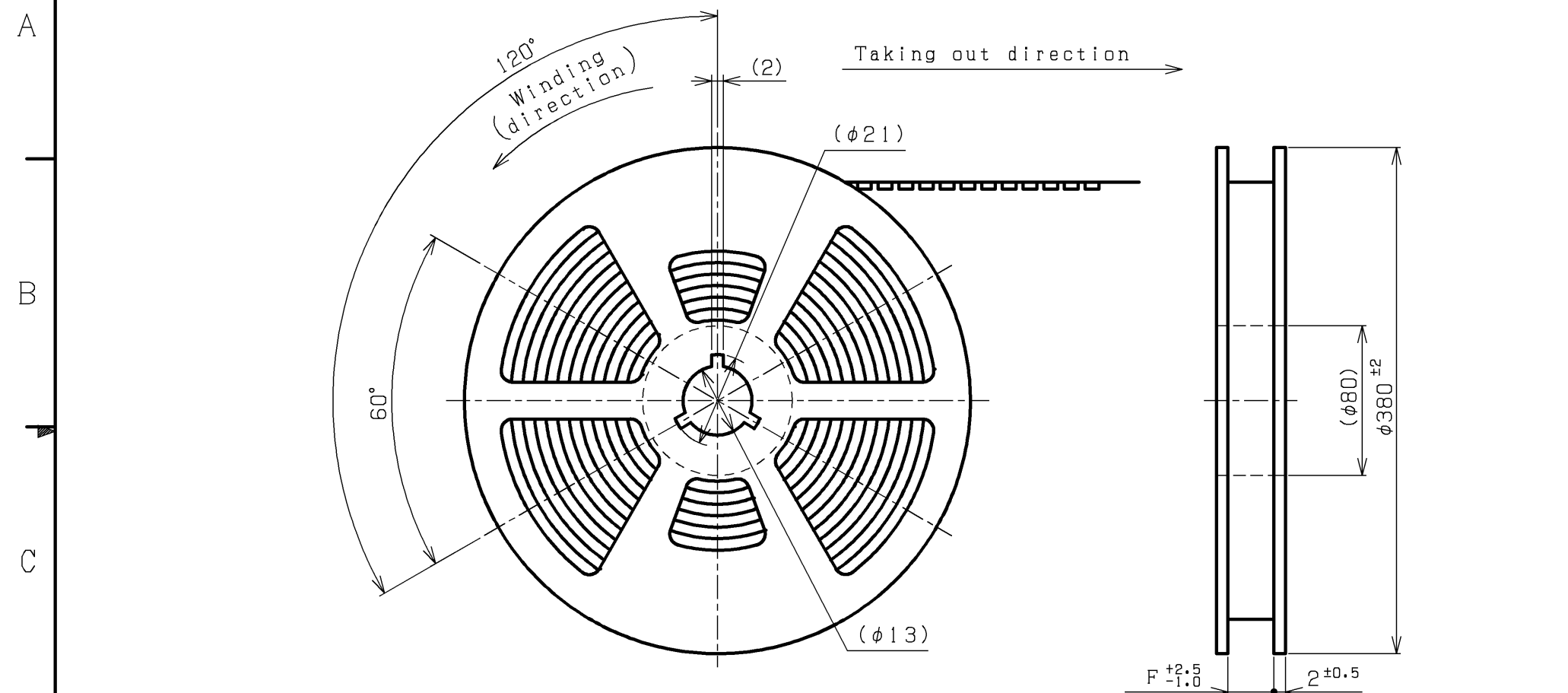


REV.	DESCRIPTION	DATE	DESIGNED
△			

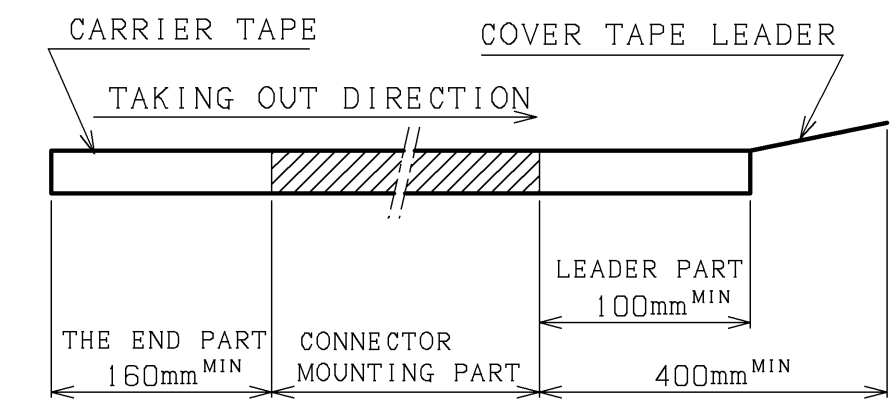


Circuits	Dimensions					
	A	B	C	D	E	F
7	15.4	9.7	32.0	14.2	28.4	33.5
8	16.9	11.2	32.0	14.2	28.4	33.5
9	18.4	12.7	32.0	14.2	28.4	33.5
10	19.9	14.2	32.0	14.2	28.4	33.5
11	21.4	15.7	44.0	20.2	40.4	45.5
12	22.9	17.2	44.0	20.2	40.4	45.5

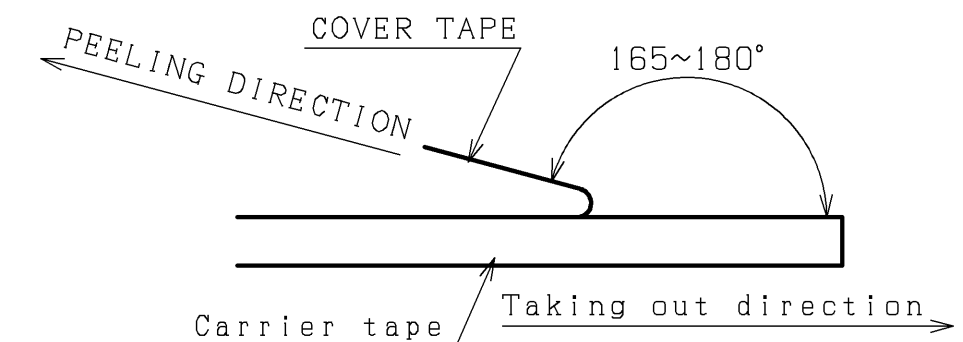
COLOR	Part No.
NATURAL	SM ( ) B-ZESS-TB (LF) (SN)
BLUE	SM ( ) B-ZEES-TB (LF) (SN)

NOTE

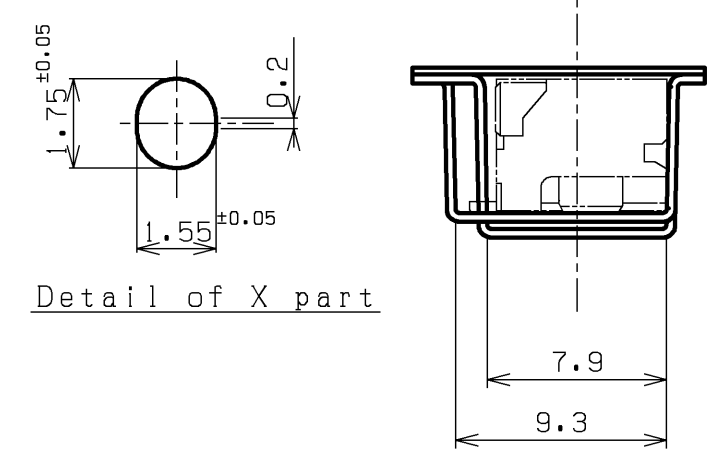
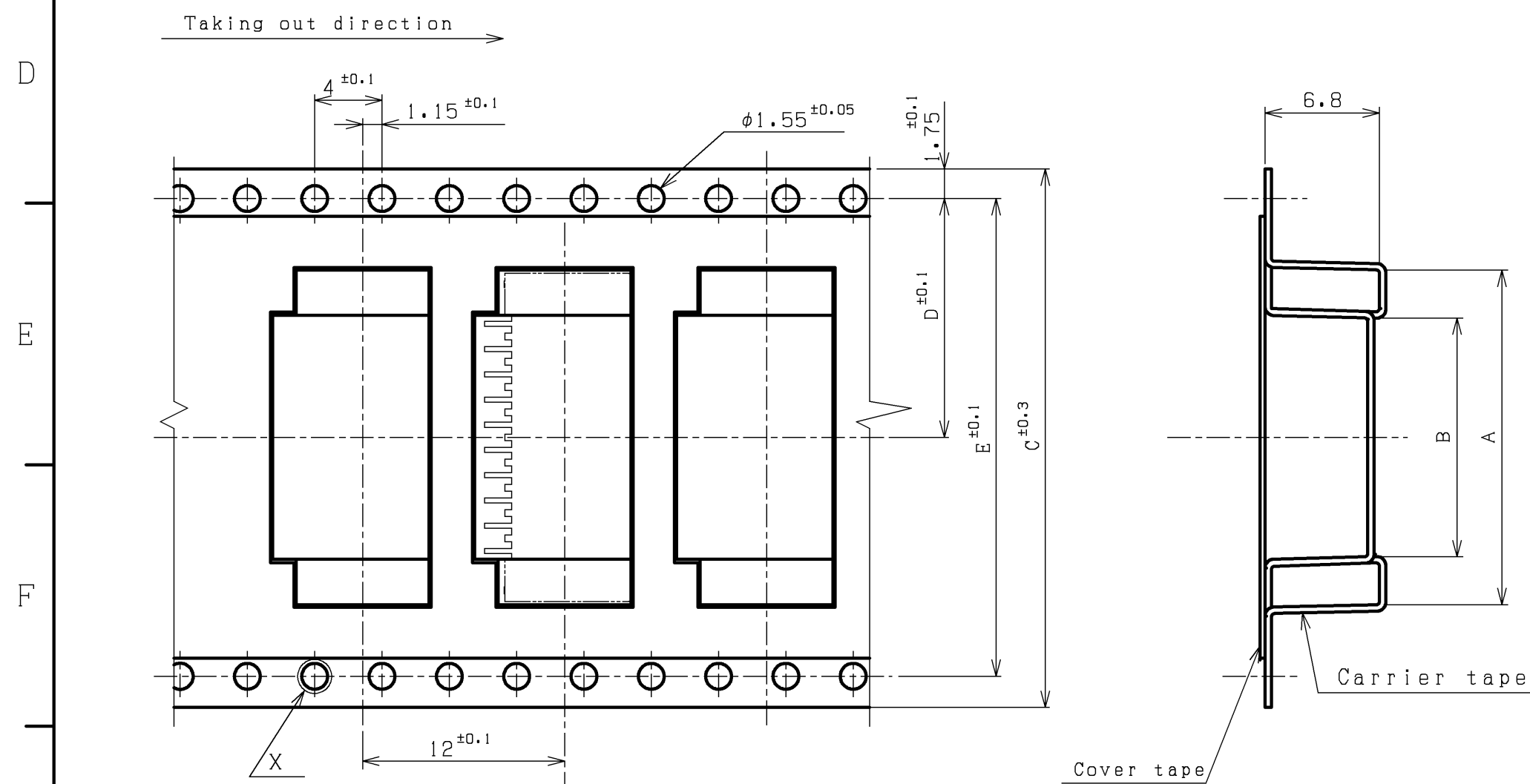
- 1.Connector part:See the DWG. of ZE connector.
- 2.Quantity to be packaged:1000pcs/reel
- 3.Leadng tape length.



- 4.Cover tape peel strength:0.1~1N  
(Peel speed:300mm/minute)



- 5.Material:Carrier tape;Polyester (PET)  
Cover tape ;Polyester (PET)  
Reel ;Flange;Polystyrene (PS)  
Core ;Polypropylene (PP)  
Polystyrene (PS)
- 6.Unless otherwise specified,  
tolerances are ±0.3



No.	PART NAME	MATERIAL	SURFACE FINISH	REMARKS
SIZE	UNIT	SCALE	PROJECTION	DATE
A2	METRIC	3:1	☉	JAN.15.2007
APPROVED	CHECKED	DESIGNED	DRAWN	CUSTOMER
S.K	M.N	T.S		[REDACTED]
SERIES NAME				ZE CONNECTOR
PART No.				SM ( ) B-ZE ( ) S-TB (LF) (SN)
DRAWING No.				KRD-40707
JST J.S.T.MFG.CO.,LTD.				RO