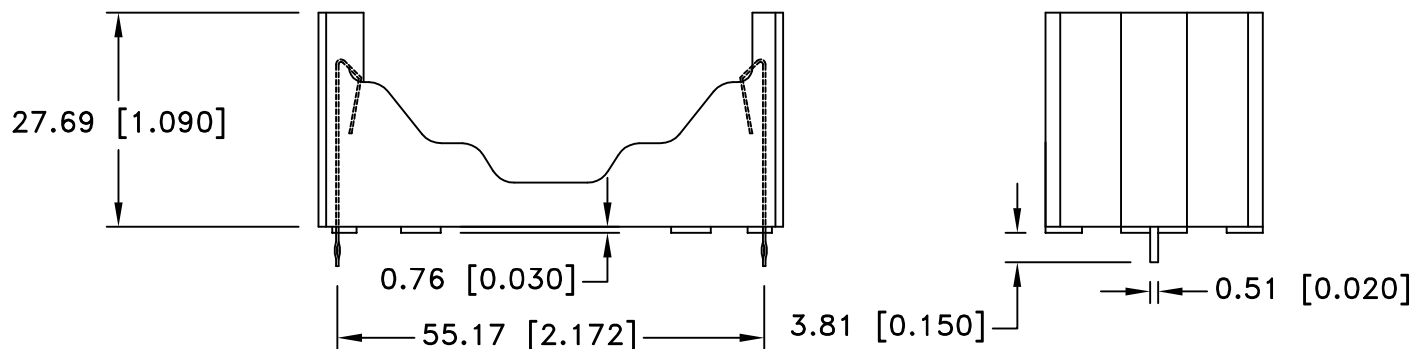
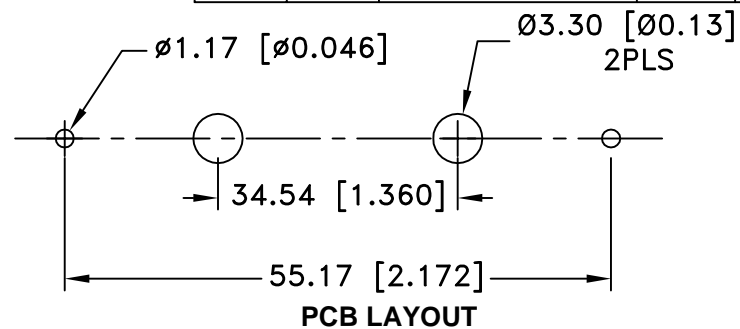
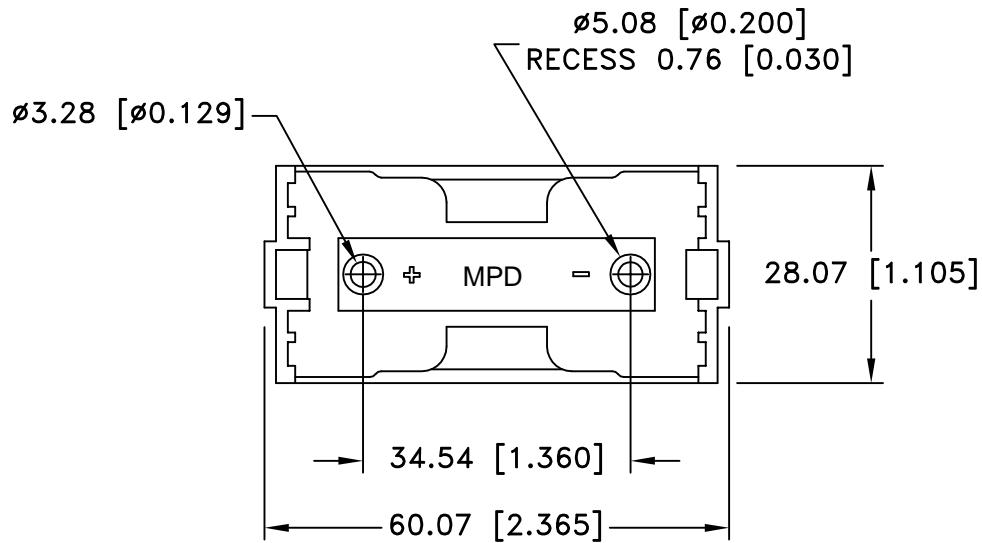



Date	SYM	REVISION RECORD	AUTH	DR.	CK.
10/29/05	A	UPDATED NOTES. CHANGED TITLE	T.B.	B.S.	
1/28/06	B	ADDED DETAIL FOR POSITIVE CONTACT RIBS	T.B.	B.S.	



SPECIFICATIONS:

Holder Material: Black PBT, 30% Glass, UL94V-0
 Contacts: 302 Spring temper stainless steel, Gold plated
 Vibration Test: 10-50-10 Hz swept in 60 seconds
 X,Y,Z direction: 1 hour each direction, No dislodgement of the cell or damage, No discontinuity over 10 micro-seconds
 Shock Test: Half sine wave acceleration 150g. 6 micro-seconds, 1 shock pulses each direction per axis, total of 6 pulses, No evidence of physical damage
 Drop Test: Drop height 1meter, Randomly oriented, 1 drop per direction, total 1 drop, No evidence of physical damage
 Built in Reverse polarity protection
 ROHS COMPLIANT

Tolerance (Except as noted)	 Memory Protection Devices, Inc 200 Broad Hollow Road, Farmingdale, New York 11735	Scale	Drawn By B.S.
decimal $\pm .5$ (.020)		Approved By T.B.	
Fractional $\pm .8$ (.030)	Title MILITARY BATTERY HOLDER FOR C CELLS		
Angular $\pm 3^\circ$	Date 1/28/06	Drawing Number BHC-POL	