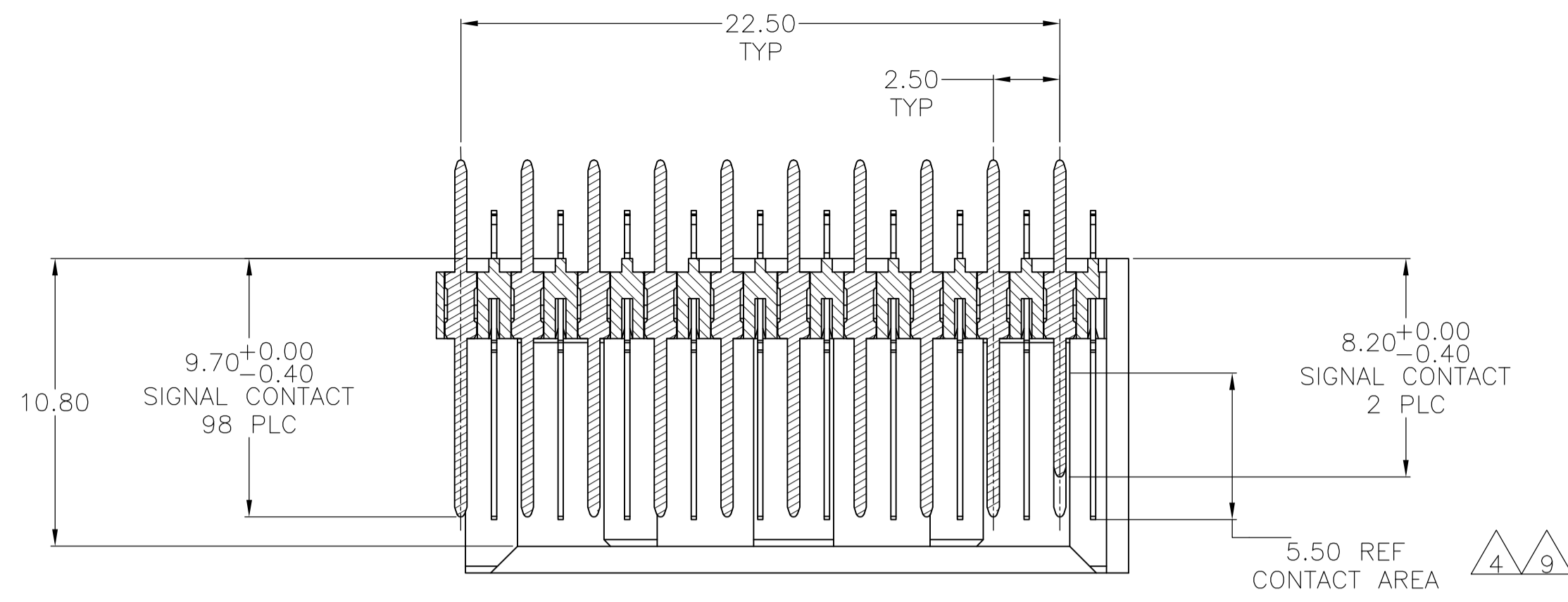
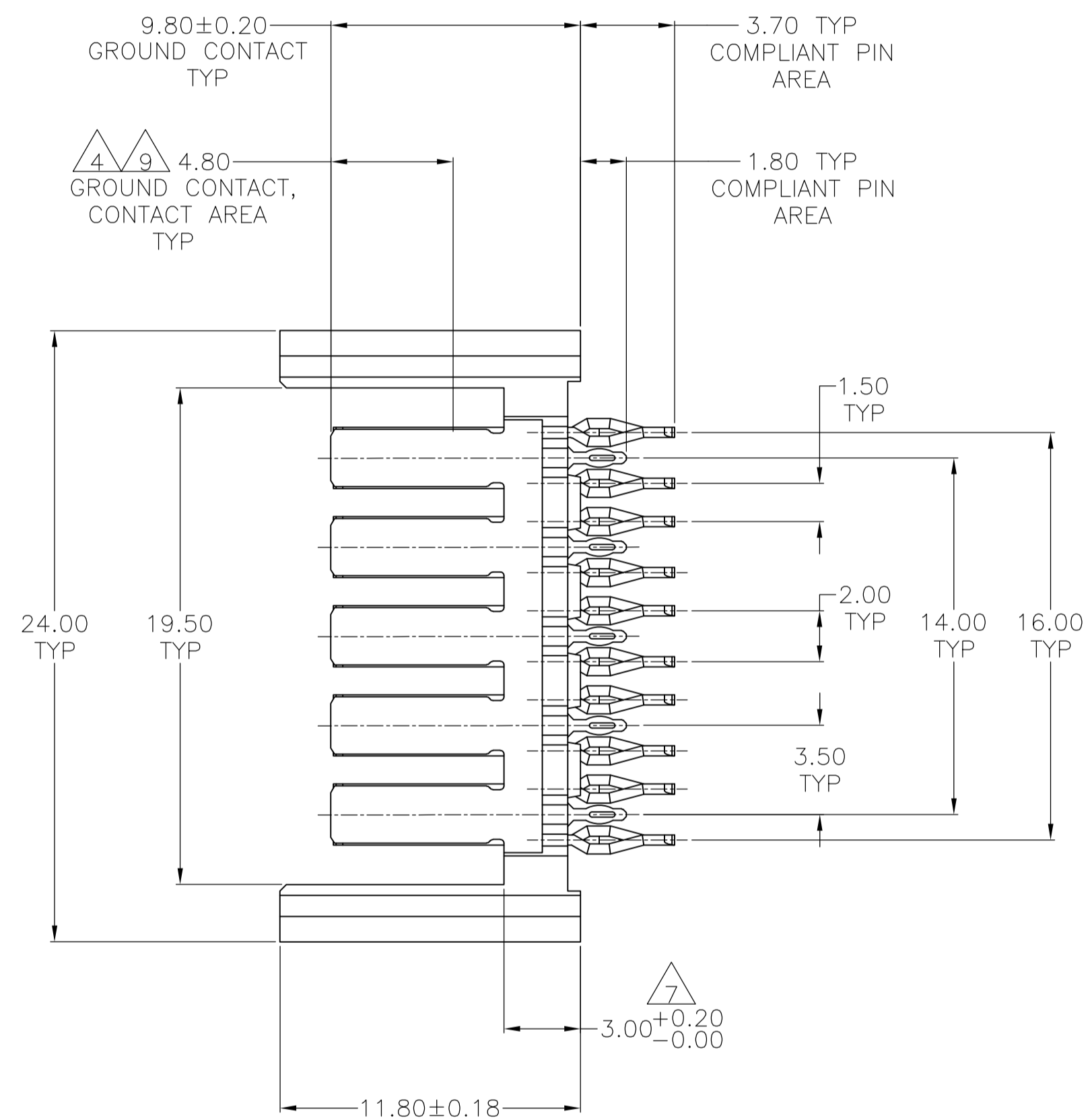
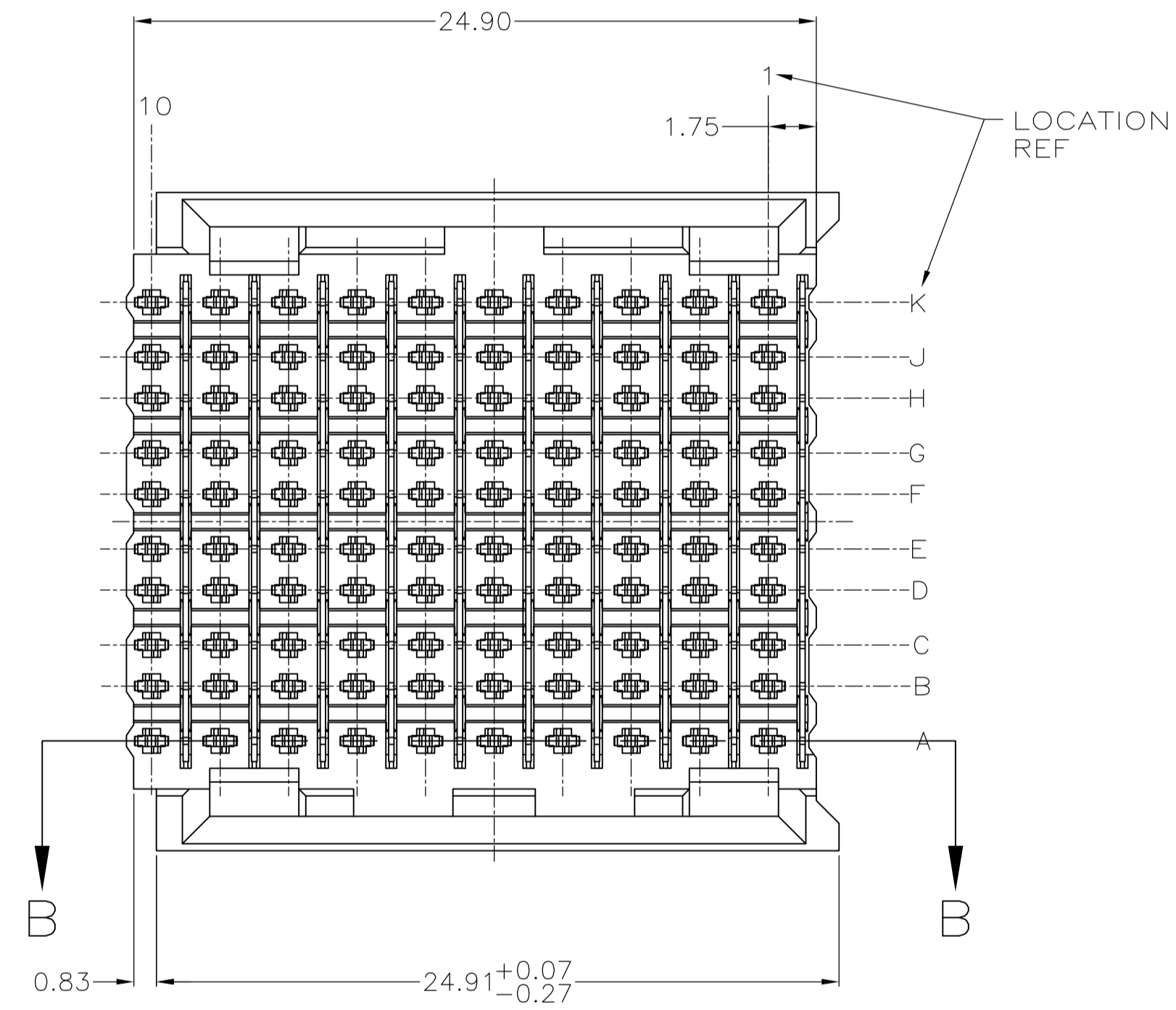


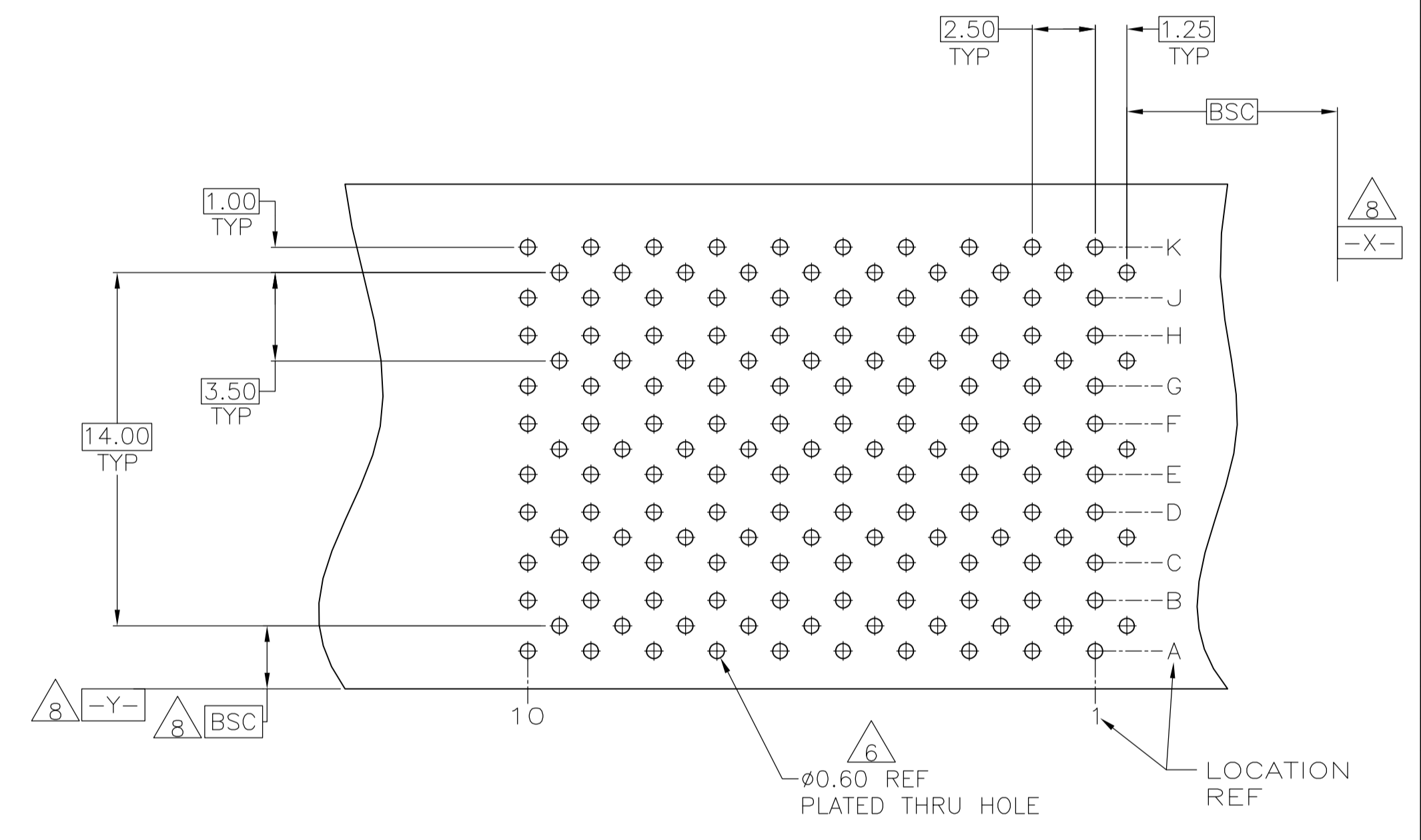
REVISONS		DATE	DN	APVD
P	LTR	DESCRIPTION		
B		REVISED PER ECO-12-006972	23AUG2012	KH JE



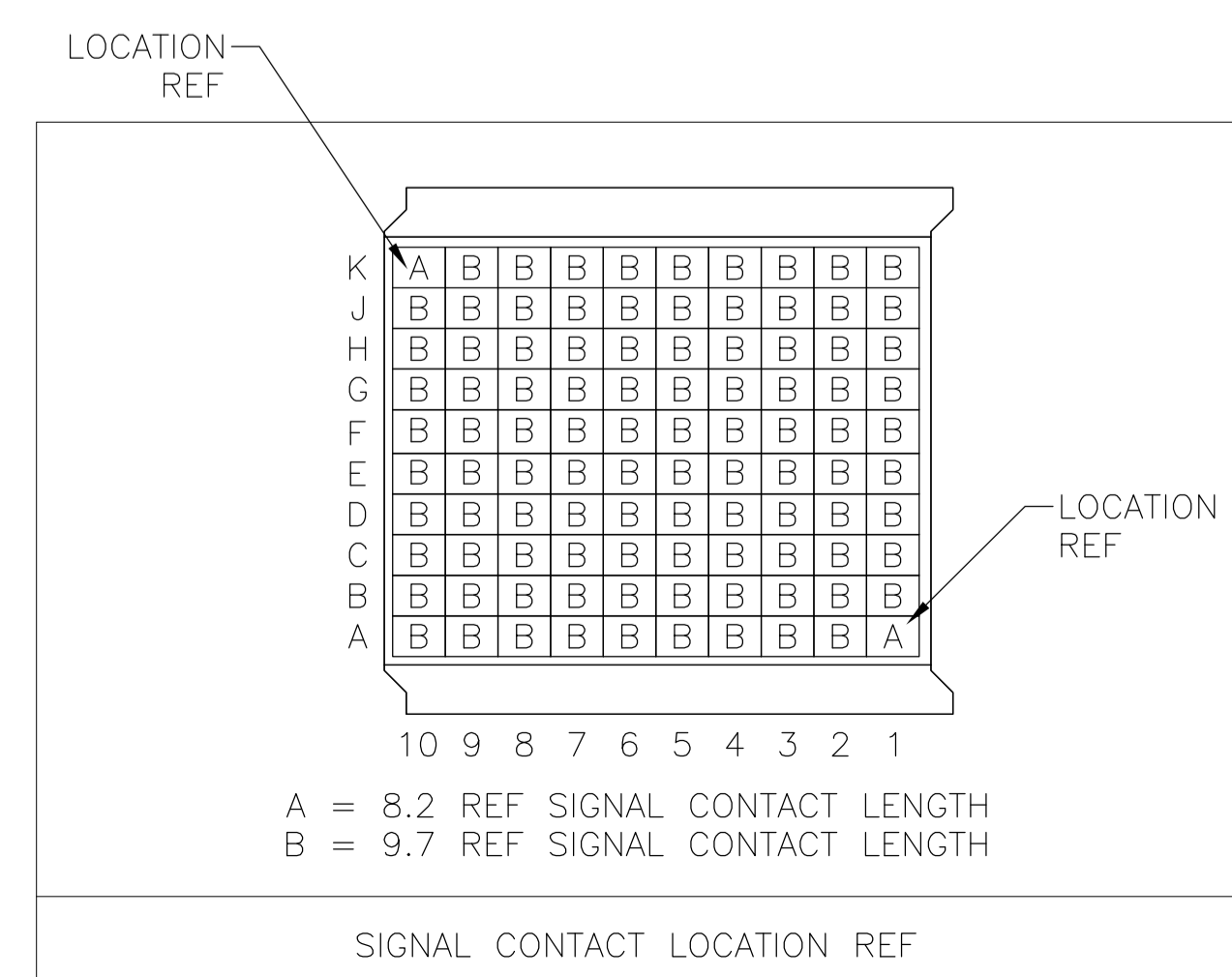
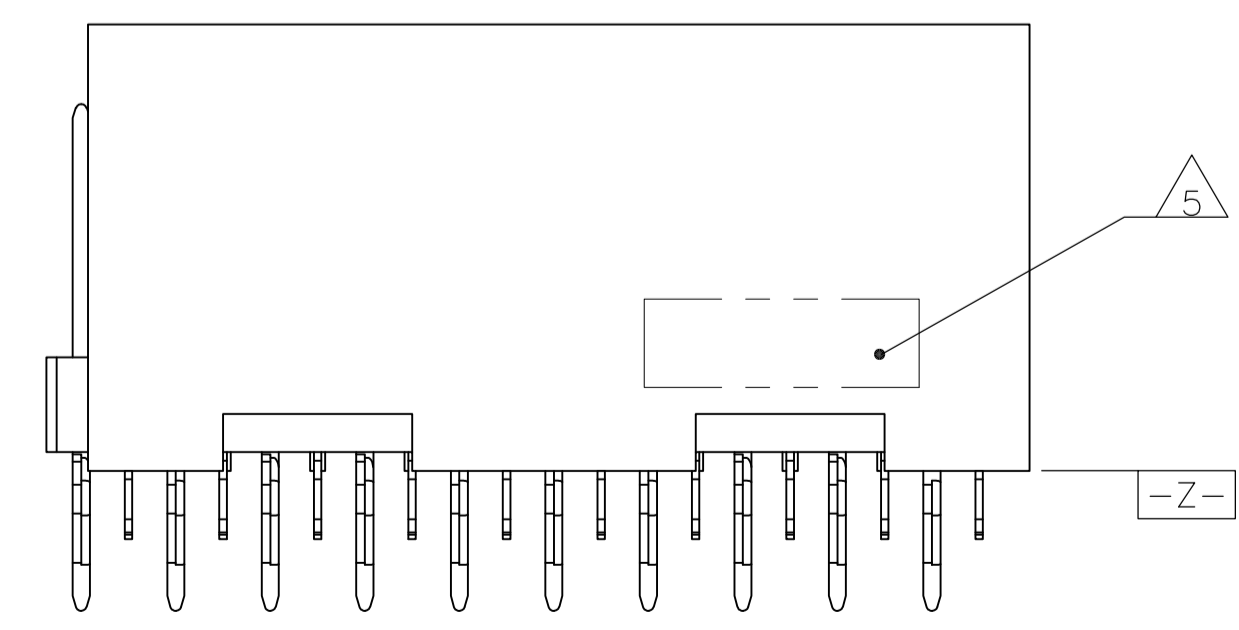
SECTION B-B



- 2 PHOSPHOR BRONZE
- 3 LCP, UL94V-0
- 4 FINISH:
CONTACT MATING AREA MEETS THE PERFORMANCE REQUIREMENTS OF TE CONNECTIVITY PRODUCT SPECIFICATION 108-1957; BASED ON TELCORDIA GR-1217-CORE, APPLICATIONS IN UNCONTROLLED ENVIRONMENTS. COMPLIANT PIN AREA: 0.5µm MIN BRIGHT TIN-LEAD OVER BASE PLATING.
- 5 CONNECTOR MARKED WITH PART NUMBER AND DATE CODE
- 6 REFERENCE APPLICATION SPEC 114-13020 FOR RECOMMENDED PLATED THRU HOLE DIAMETER AND PLATING THICKNESS.
- 7 APPLICATION SEATING HEIGHT TO PRINTED CIRCUIT BOARD
- 8 DATUMS AND BASIC DIMENSIONS ESTABLISHED BY CUSTOMER
- 9 CONTACT AREA LUBRICATED WITH BELLCORE APPROVED LUBRICANT TECHNICAL REFERENCE: GR-1217-CORE, ISSUE 1, NOVEMBER 1995



RECOMMENDED PRINTED CIRCUIT BOARD LAYOUT
COMPONENT SIDE OF PRINTED CIRCUIT BOARD



ROW A: 2-10 ROWS B-J ROW K: 1-9	ROW A: 1 ROW K: 10	5120952-1
SIGNAL CONTACT TYPE B QTY: 98	SIGNAL CONTACT TYPE A QTY: 2	PART NUMBER

THIS DRAWING IS A CONTROLLED DOCUMENT.		DIN B CARDO 25JUL05	STE TE Connectivity	
DIMENSIONS: mm		CIK R PATTERSON 25JUL05	NAME	
TOLERANCES UNLESS OTHERWISE SPECIFIED:		APVD R PATTERSON 25JUL05	PRODUCT SPEC	
0 PLC ± -		APPLICATION SPEC		
1 PLC ± 0.13		SIZE CASE CODE DRAWING NO		
2 PLC ± 0.05		WEIGHT		
3 PLC ± -		A1 00779 C=5120952		
4 PLC ± -		CUSTOMER DRAWING		
FINISH		SCALE 5:1 SHEET 1 OF 1 REV B		
HOUSING: 2				
CONTACT: 2				
SIGNAL CONTACT: 4				