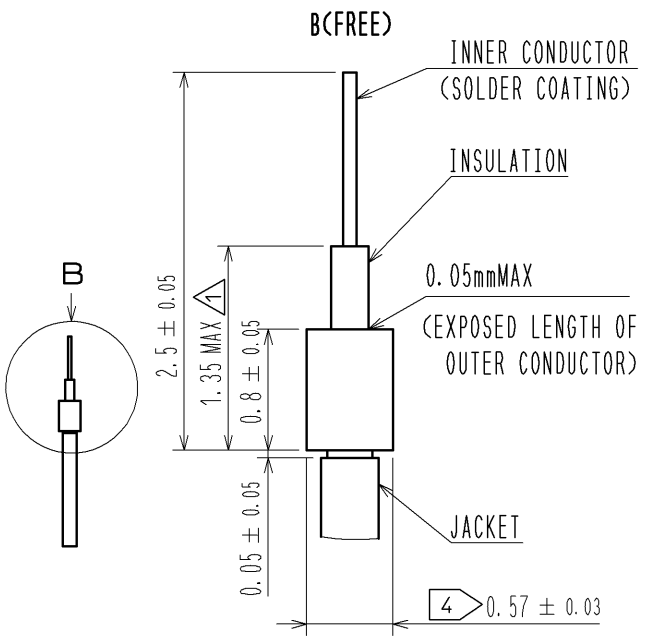
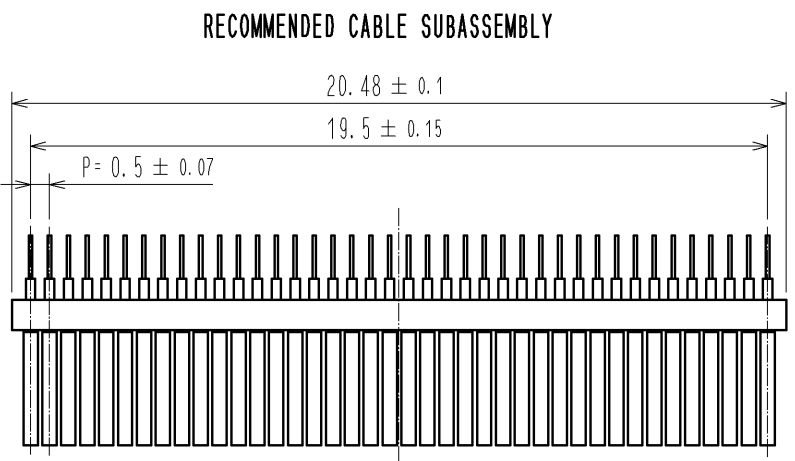


ITEM No.	PART NAME	PART No.	CODE No.
1, 2, 3	CONNECTOR UNIT	DF80D-40P-0.5SD(51)	CL662-8118-0-51
-	METAL SHIELDING	DF80-40P-SHL	CL662-8003-8-00

NOTES

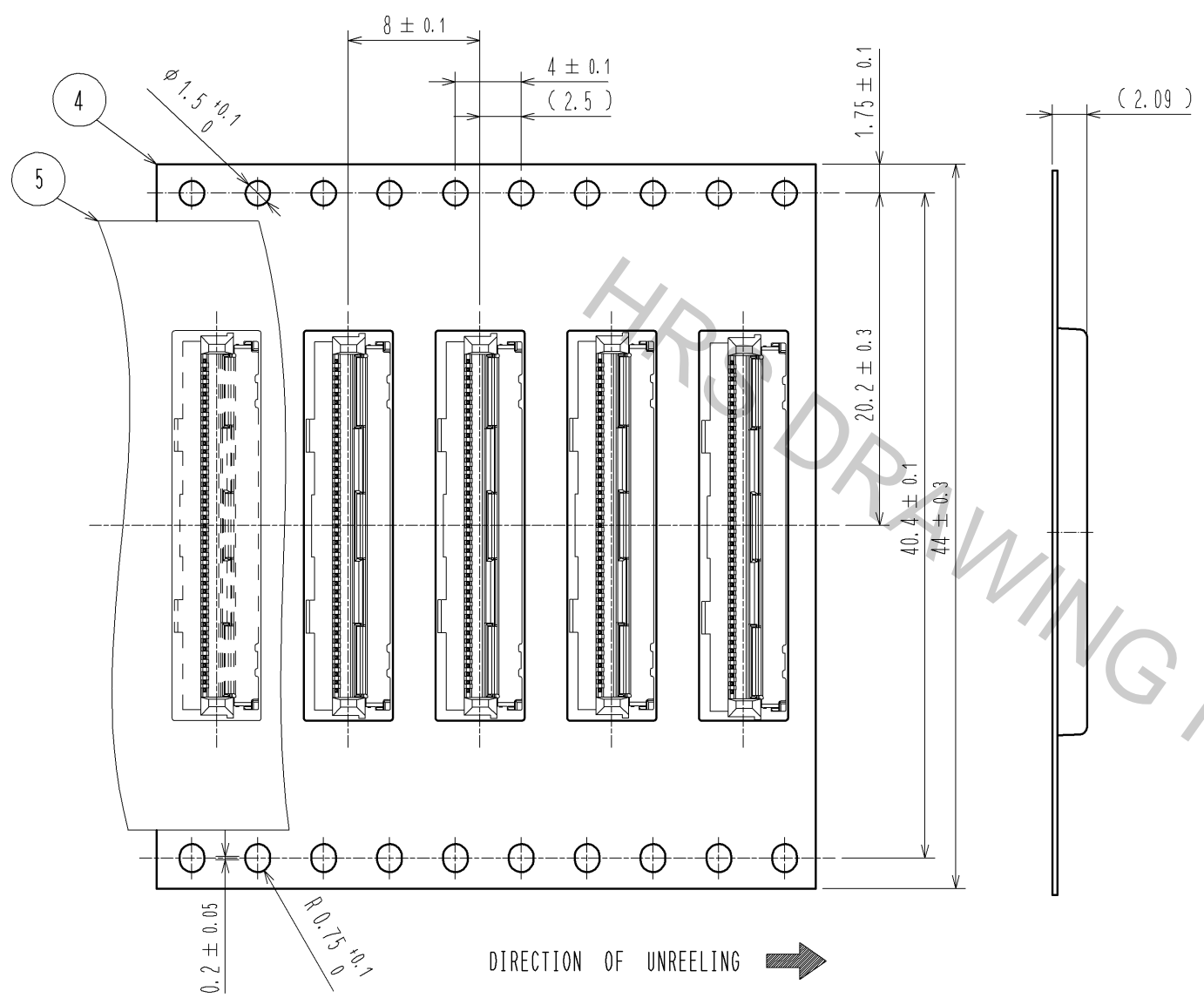
1. APPLICABLE CABLE: DISCRETE CABLE(AWG#32~AWG#36) , MICRO COAXIAL CABLE (AWG#40~AWG#46)
2. THIS CONNECTOR IS NOT HOT PLUGGABLE. MATE AND UNMATE WHILE THE POWER IS OFF.
- 3 THE ASSEMBLY IS COMPLETED BY COMBINING TWO PARTS 'CONNECTOR UNIT, AND METAL SHIELDING'. REFER TO THE TABLE FOR EACH ITEM No. PART NAME, PART No AND CODE No.
- 4 SOLDER A GRAND BAR WITH AN EXTERNAL CONDUCTOR OF THE CABLE ABOUT STICKING A GRAND BAR TOGETHER.
- 5 PLEASE CONSULT ABOUT THE USE OF THE POTTING AND KAPTON TAPE SEPARATELY.



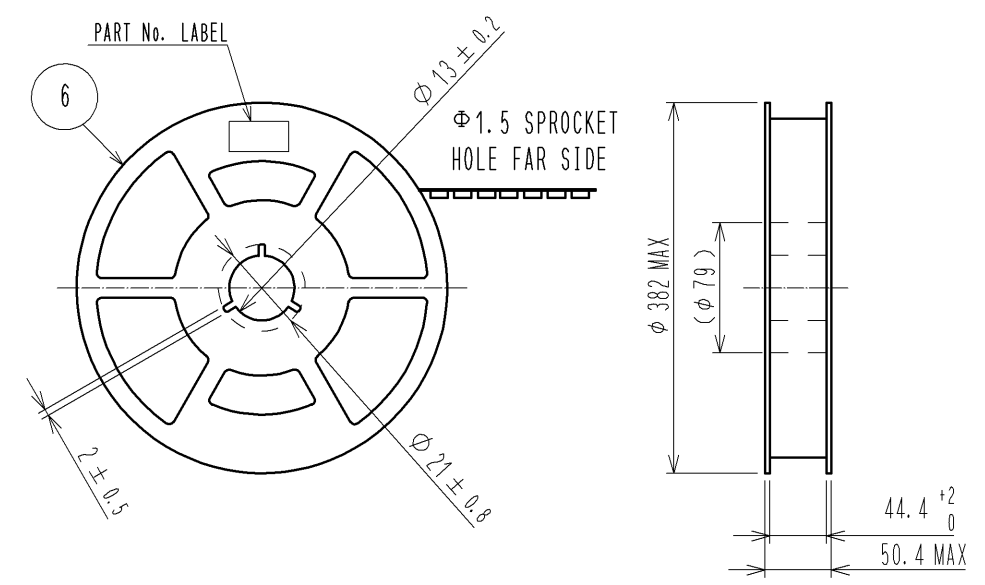
NO.	MATERIAL	FINISH	REMARKS	NO.	MATERIAL	FINISH	REMARKS
2	PHOSPHOR BRONZE	CONTACT AREA : Au PLATING 0.05μmMIN TERMINATION AREA : Au PLATING 0.05μmMIN UNDER PLATING : Ni PLATING 1μmMIN		6	PS	BLACK	
1	LCP	UL94V-0 , BLACK		5	PHPOLYESTER	CLEAR	
				4	PS	CLEAR	
				3	STAINLESS	WHOLE AREA : Sn PLATING 1μmMIN UNDER PLATING : Ni PLATING 0.2μmMIN	

UNITS	SCALE	COUNT	DESCRIPTION OF REVISIONS	DESIGNED	CHECKED	DATE
mm	FREE	1	DIS-D-002877	IO. DENPOUYA	TS. SAKATA	13.05.11

APPROVED	DATE	DRAWING NO.
TS. SAKATA	13.03.25	EDC3-351197-01
CHECED	DATE	PART NO.
TS. SAKATA	13.03.25	DF80D-40P-0.5SD(51)
DESIGNED	DATE	CODE NO.
IO. DENPOUYA	13.03.25	CL662-8118-0-51
DRAWN	DATE	
IO. DENPOUYA	13.03.25	



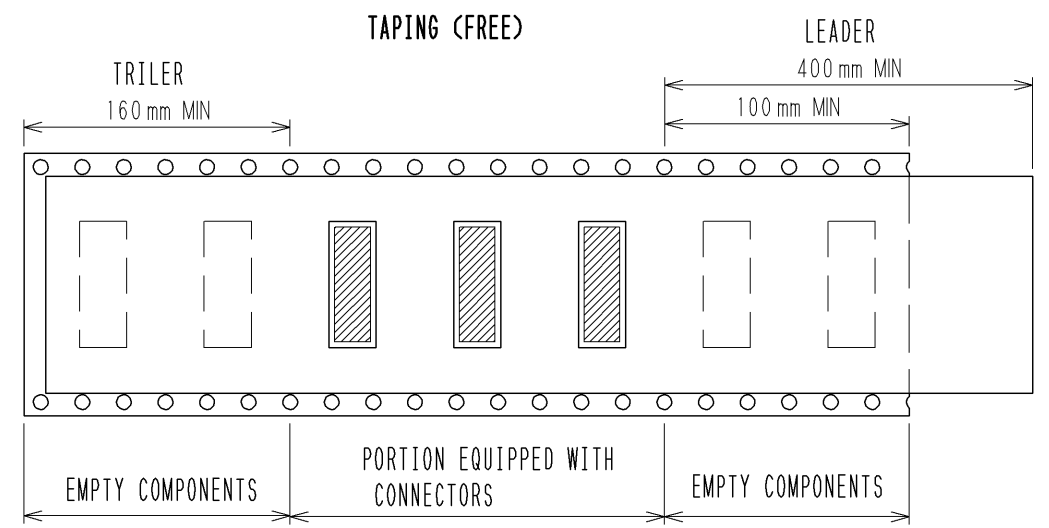
STYLE AND DIMENSION OF REEL (FREE)



DETAIL OF PART No. LABEL

生産月日	年月日
図番	CL662-8118-0-51
品名	DF80D-40P-0.5SD(51)
納入数量	5000個
納入者	ヒロセ電機株式会社

- SUPPLIER
- QUANTITY
- PART No.
- CODE No.
- DATE OF MANUFACTURED



HRS	DRAWING NO.	EDC3-351197-01	2/2
	PART NO.	DF80D-40P-0.5SD(51)	
	CODE NO.	CL662-8118-0-51	