

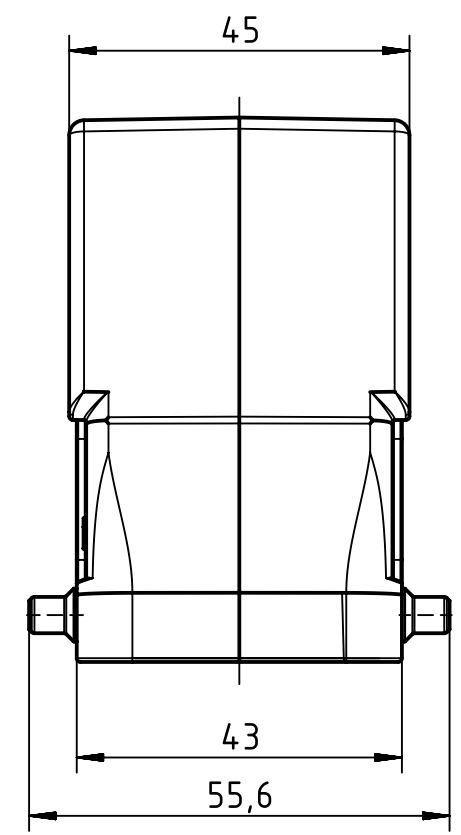
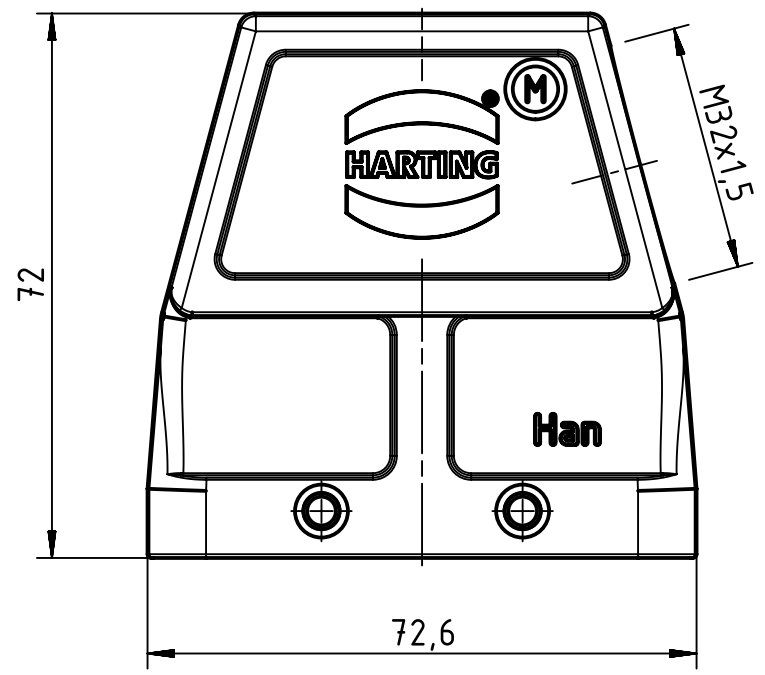
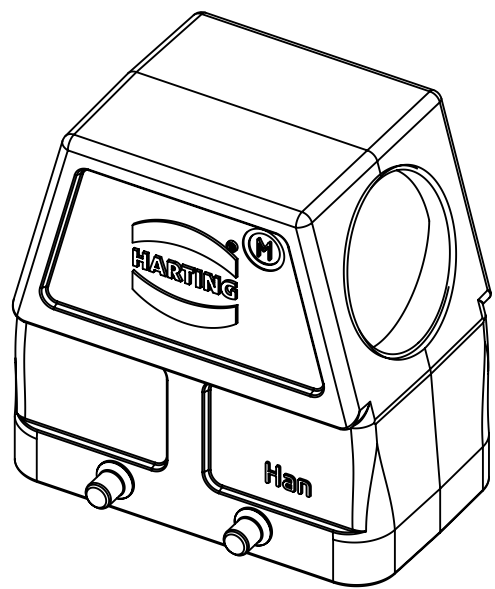
1 2 3 4 5 6

A

B

C

D



	All Dimensions in mm Original Size DIN A4		Scale 1:1	Free size tol.		Ref.
						Sub.
	All rights reserved		Created by SCHULZI	Inspected by BERGHORN	Standardisation TIEMANNA	Date 2014-07-21
	Department EL PD - DE					State Final Release
HARTING Electric GmbH & Co. KG D-32339 Espelkamp			Title Han EMC/B 10 Hood Side Entry M 32			Doc-Key / ECM-Nr. 100233083/UGD/002/B 500000061817
			Type TB	Number 19 62 810 0527		Rev. B Page 1/1