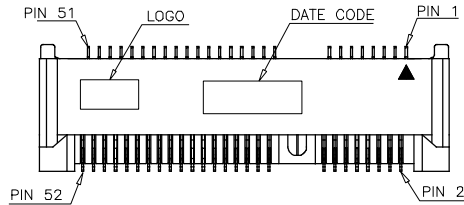


PRODUCT NUMBER

10123914-XXXLF



MATERIAL

HOUSING : THERMO PLASTIC UL94V-0 BLACK  
CONTACT : COPPER ALLOY  
PEG : COPPER ALLOY

PART NO. SCHEMATIC: 10123914 - XX X LF

TERMINAL PLATING \_\_\_\_\_ PACKING  
00: NO PLATING \_\_\_\_\_ 0: TAPE&REEL.STD  
G2: GOLD FLASH 1~3μ<sup>m</sup> OVER Ni 50~100μ<sup>m</sup> 1: TAPE&REEL.RVS

A2: CONTACT AREA AND SOLDER AREA :  
SELECTION GOLD 1μ<sup>m</sup> OVER Ni 50~100μ<sup>m</sup>

A7: CONTACT AND SOLDER TAIL AREA GOLD PLATING  
10μ<sup>m</sup> MIN OVER Ni 50~100μ<sup>m</sup>

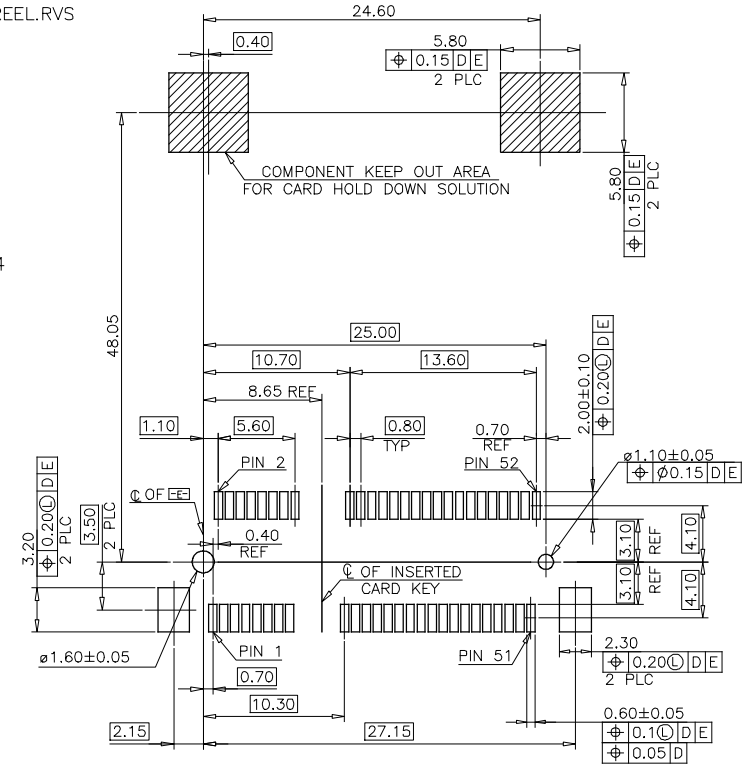
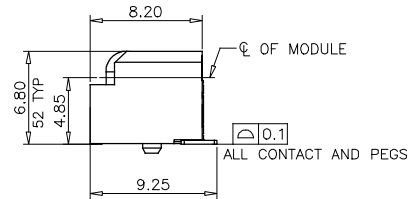
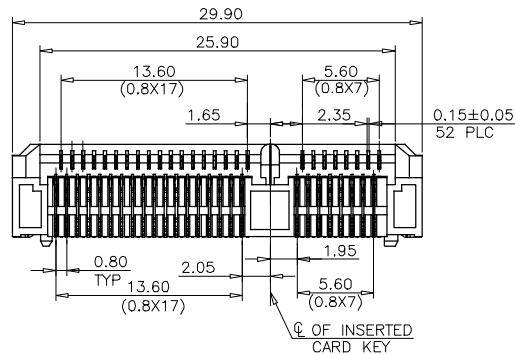
G7: GOLD FLASH 10μ<sup>m</sup> OVER Ni 50~100μ<sup>m</sup>min

PRODUCT SPEC.: GS-12-1111

PACKAGE SPEC.: GS-14-2284

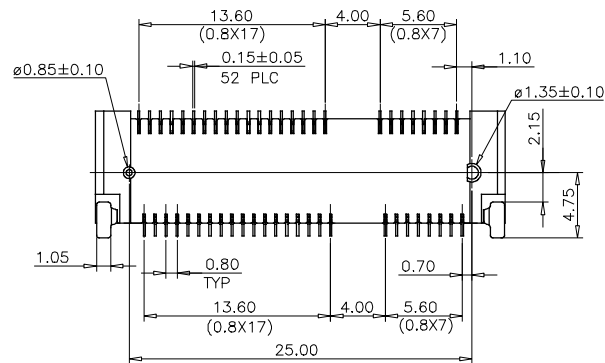
THIS PRODUCT MEETS EUROPEAN UNION DIRECTIVES AND OTHER COUNTRY REGULATIONS AS DESCRIBED IN GS-47-0004

THE HOUSING WILL WITHSTAND EXPOSURE TO 260°C PEAK TEMPERATURE FOR 10 SECONDS IN A CONVECTION, IR OR VAPER PHASE REFLOW OVEN.

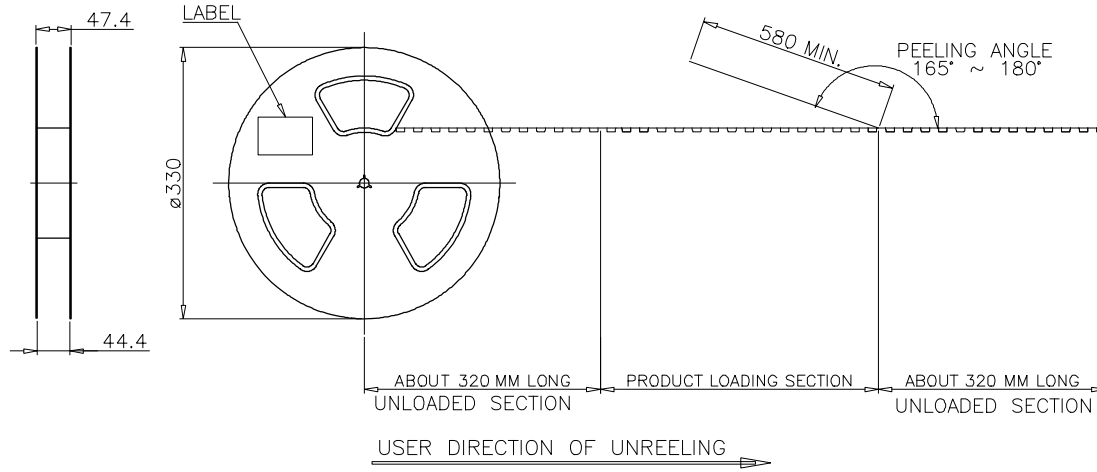


-D- IS THE TOP SURFACE OF PCB.

RECOMMENDED P.C. BOARD PATTERN LAYOUT

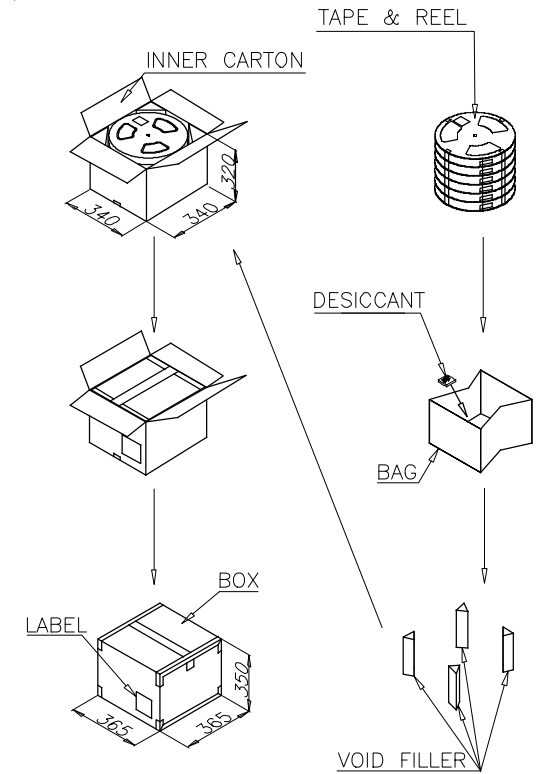
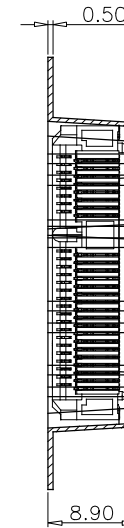
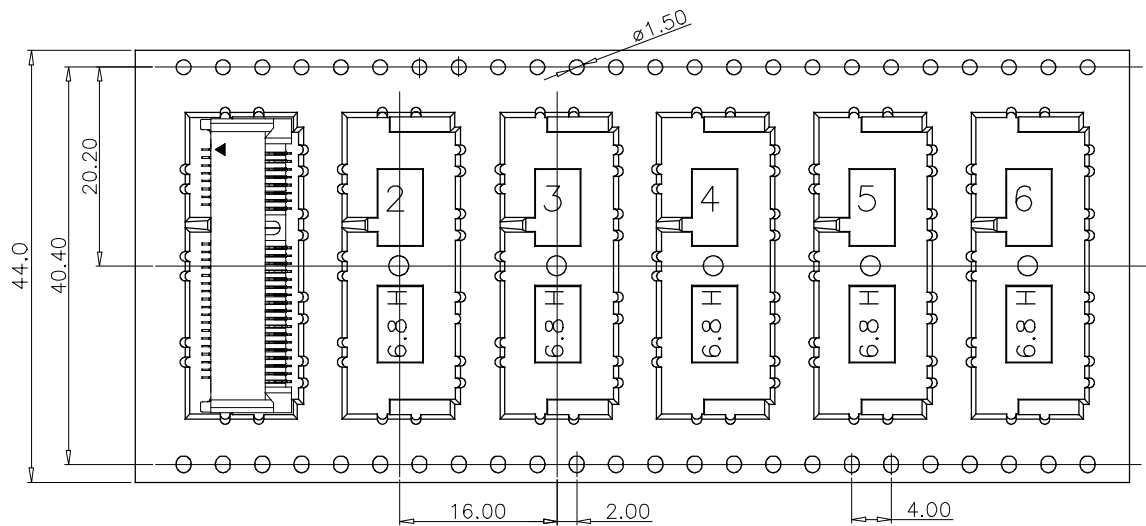


mat'l. code		surface		tolerance ASME Y14.5		projection		product family	
ltr	ecn no	dr	date	tolerances unless otherwise specified		MM		title	
A		TAI	2013-02-20	angles	X.X ± 0.30	MM		0.80MM PITCH MINI PCI EXPRESS HIGH=6.8mm 52 PIN CONNECTOR	
				flatness	X.XX ± 0.20	scale		dwg no	
				X°±4'	X.XXX ± 0.15			sheet 1 of 3 size	
				dr	KENNY TAI	2013-02-20		A4	
				enr	KENNY TAI	2013-02-20		10123914	
				chr	KENNY TAI	2013-02-20		CUSTOMER Drawing	
				appd	PM ZHENG	2013-02-25		type	
sheet index	revision sheet	A	A	A					
		1	2	3					

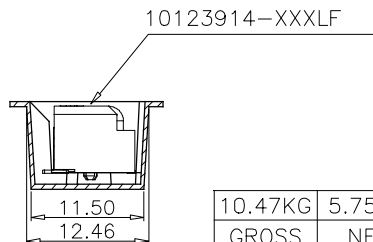


NOTES:

1. MATERIAL:  
 BOX: FIBREBOARD, CORRUGATED, DOUBLE WALL.  
 COVER TAPE: PET, 120C° HEAT-RESISTANT TEMPERATURE, TRANSPARENT COLOR.  
 CARRIER TAPE: POLYSTYRENES, 120C° HEAT-RESISTANT TEMPERATURE, TRANSPARENT COLOR.  
 REEL: HIPS, 70C° HEAT-RESISTANT TEMPERATURE, BLUE COLOR.  
 BAG: POLYETHYLENES, 100C° HEAT-RESISTANT TEMPERATURE, TRANSPARENT COLOR.
2. EACH BAG SHALL BE INCLUDED DESICCANT.
3. PEELING STRENGTH: 0.1 ~ 1.3 N (10 ~ 130 GRAMS).
4. PEELING SPEED: 300 mm/min.

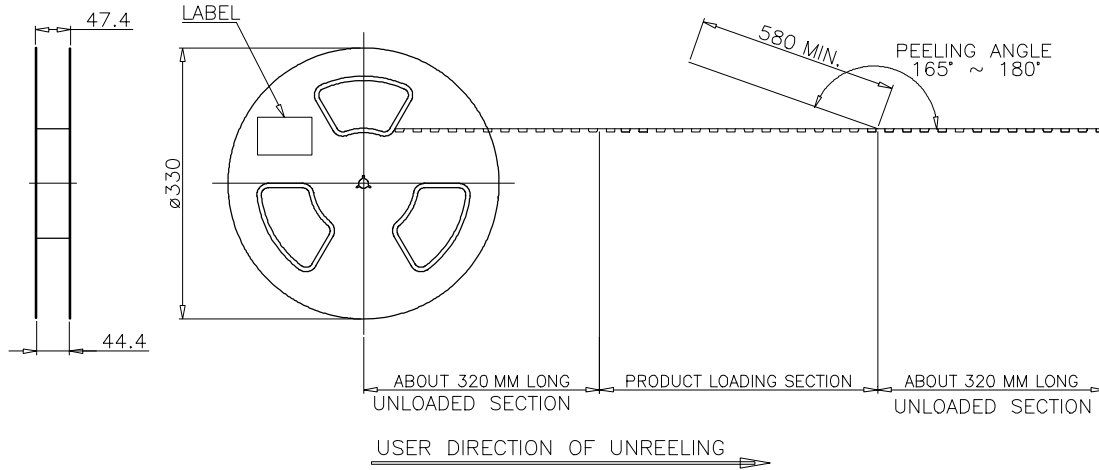


STANDARD TAPE & REEL  
(FOR -XXOLF)



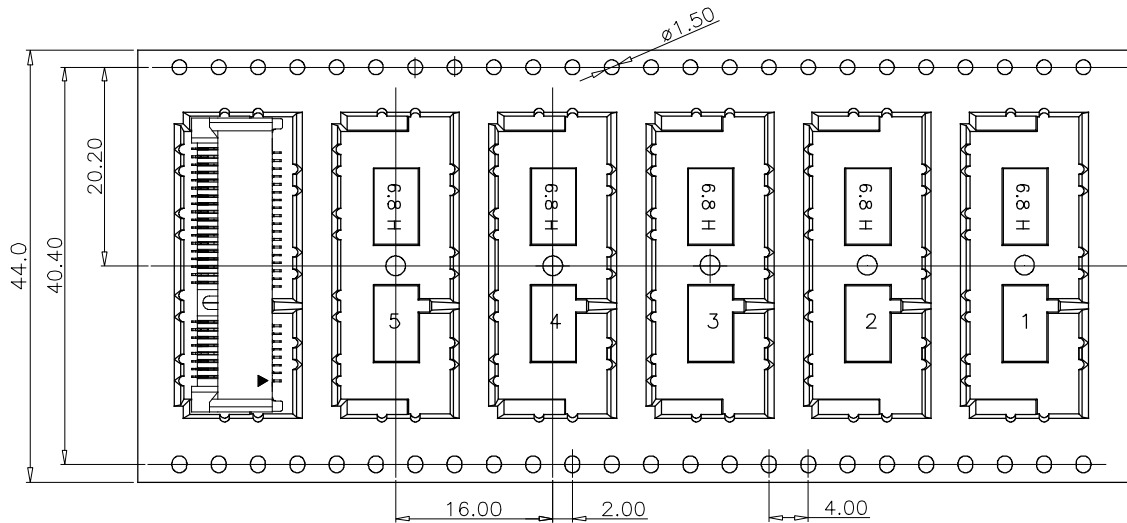
10.47KG	5.75KG	450	6	2700
GROSS WEIGHT	NET WEIGHT	PCS/ REEL	REEL/ BOX	PCS/ BOX

mat'l. code		surface		tolerance <input checked="" type="checkbox"/> ASME Y14.5		projection		product family	
ltr	ecn no	dr	date	tolerances unless otherwise specified		MM		title	
A		TAI	2013-02-20	angles	X.X ± 0.30	← →		0.80MM PITCH MINI PCI EXPRESS HIGH=6.8mm 52 PIN CONNECTOR	
				fil	X.XX ± 0.20	scale		dwg no	
				X*±4°	X.XXX ± 0.15			sheet 2 of 3 size	
		dr	KENNY TAI	2013-02-20				10123914	
		enr	KENNY TAI	2013-02-20				A4	
		chr	KENNY TAI	2013-02-20				CUSTOMER Drawing	
		appd	PM ZHENG	2013-02-25					
sheet index	revision sheet	A	A	A	A				
		1	2	3					



NOTES:

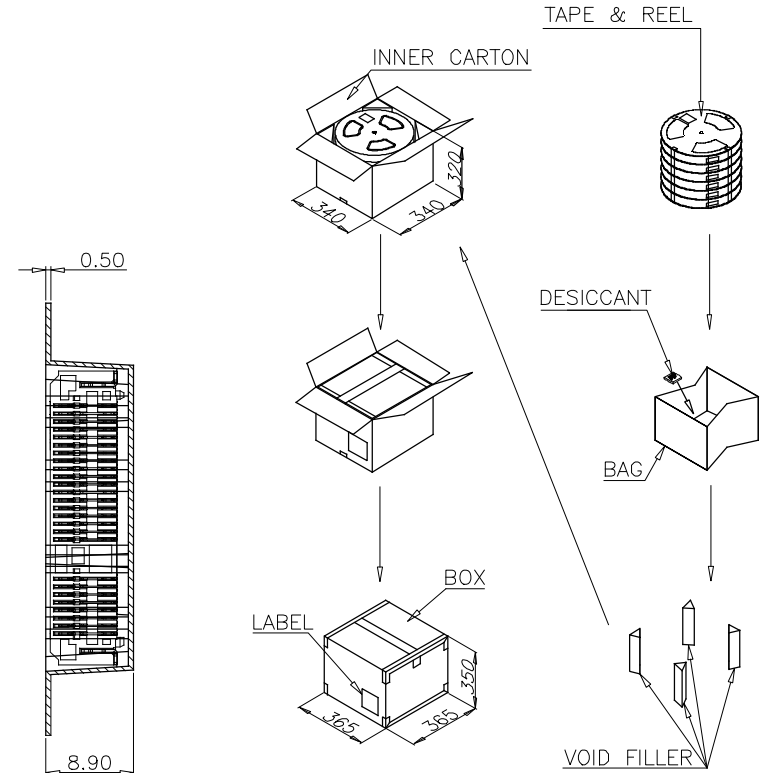
1. MATERIAL:  
 BOX: FIBREBOARD, CORRUGATED, DOUBLE WALL.  
 COVER TAPE: PET, 120C° HEAT-RESISTANT TEMPERATURE, TRANSPARENT COLOR.  
 CARRIER TAPE: POLYSTYRENES, 120C° HEAT-RESISTANT TEMPERATURE, TRANSPARENT COLOR.  
 REEL: HIPS, 70C° HEAT-RESISTANT TEMPERATURE, BLUE COLOR.  
 BAG: POLYETHYLENES, 100C° HEAT-RESISTANT TEMPERATURE, TRANSPARENT COLOR.
2. EACH BAG SHALL BE INCLUDED DESICCANT.
3. PEELING STRENGTH: 0.1 ~ 1.3 N (10 ~ 130 GRAMS).
4. PEELING SPEED: 300 mm/min.



REVERSE TAPE & REEL  
(FOR -XX1LF)

10123914-XXXLF

	10.47KG	5.75KG	450	6	2700
GROSS WEIGHT	NET WEIGHT	PCS/ REEL	REEL/ BOX	PCS/ BOX	



mat'l. code		surface		tolerance <input checked="" type="checkbox"/> ASME Y14.5		projection		product family	
ltr	ecn no	dr	date	tolerances unless otherwise specified		MM		title	
A		TAI	2013-02-20	angles	X.X ± 0.30	MM		0.80MM PITCH MINI PCI EXPRESS HIGH=6.8mm 52 PIN CONNECTOR	
				fil	X.XX ± 0.20	scale		dwg no	
				X*±4°	X.XXX ± 0.15			sheet 3 of 3 size	
		dr	KENNY TAI	2013-02-20				A4	
		enr	KENNY TAI	2013-02-20				10123914	
		chr	KENNY TAI	2013-02-20				CUSTOMER Drawing	
		appd	PM ZHENG	2013-02-25					
sheet index	revision sheet	A	A	A	3				