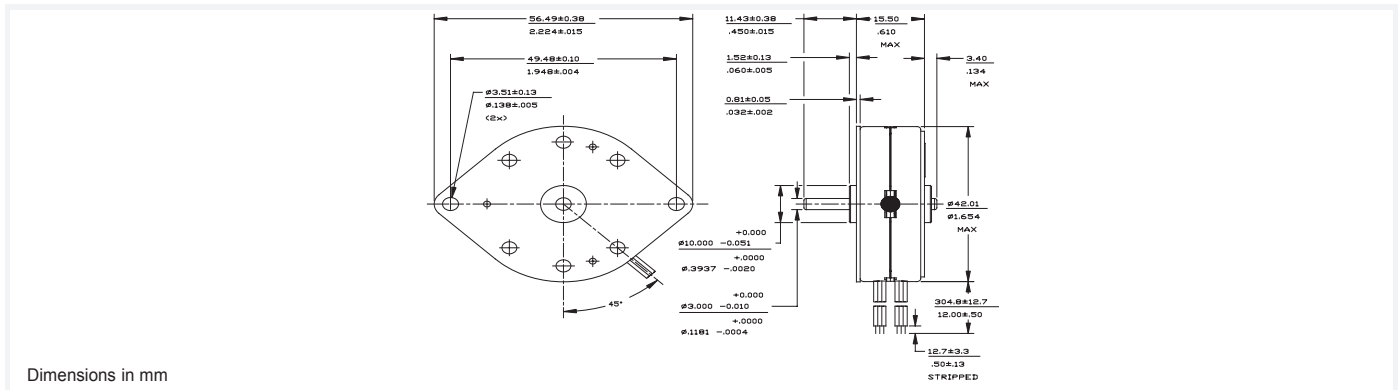


42S048D

RoHS Compliant

Ø42mm

60 mNm



Dimensions in mm

42S048D

| Electrical Data | 42S048D1U Unipolar | 42S048D2U Unipolar | 42S048D1B Bipolar | 42S048D2B Bipolar | |
|---|-----------------------|-----------------------|------------------------------|----------------------|--|
| 1 Operating Voltage | 5 | 12 | 5 | 12 | VDC |
| 2 Resistance per Phase, ± 10% | 12.5 | 75.0 | 12.5 | 75.0 | Ohms |
| 3 Inductance per Phase, typ | 6.4 | 34.1 | 10.4 | 58.0 | mH |
| 4 Rated Current per Phase * | 0.40 | 0.16 | 0.40 | 0.16 | A |
| Coil independent parameters | | | | | |
| 5 Holding Torque, MIN * | 50.8 (7.2) | 50.8 (7.2) | 60 (8.5) | 60 (8.5) | mNm (oz-in) |
| 6 Detent Torque, Max | | | 12 (1.7) | | mNm (oz-in) |
| 7 Rotor Inertia | | | 9.5 (0.052) | | gcm ² (oz-in-s ²) |
| 8 Step Angle | | | 7.5 | | Degree |
| 9 Absolute accuracy 2 ph. On, Full step | | | ± .5 | | Degree |
| 10 Steps per Revolution | | | 48.0 | | |
| 11 Ambient Temp Range (operating) | | | -20 to +70 (-4 to +158) | | °C (°F) |
| 12 Maximum Coil Temperature | | | 130 (266) | | °C (°F) |
| 13 Bearing Type | | | Sintered Bronze Sleeve | | |
| 14 Insulation Resistance at 500 VDC | | | 100.0 | | Mohms |
| 15 Dielectric Withstanding Voltage | | | 650 for 2 seconds | | VAC |
| 16 Weight | | | 88 (3.1) | | g (oz) |
| 17 Leadwire | | | AWG#28, UL3265 (125°C, 150V) | | |

All Motor Data Values at 20°C Unless Otherwise Specified

* Energize at Rated Current, 2 Phase On

