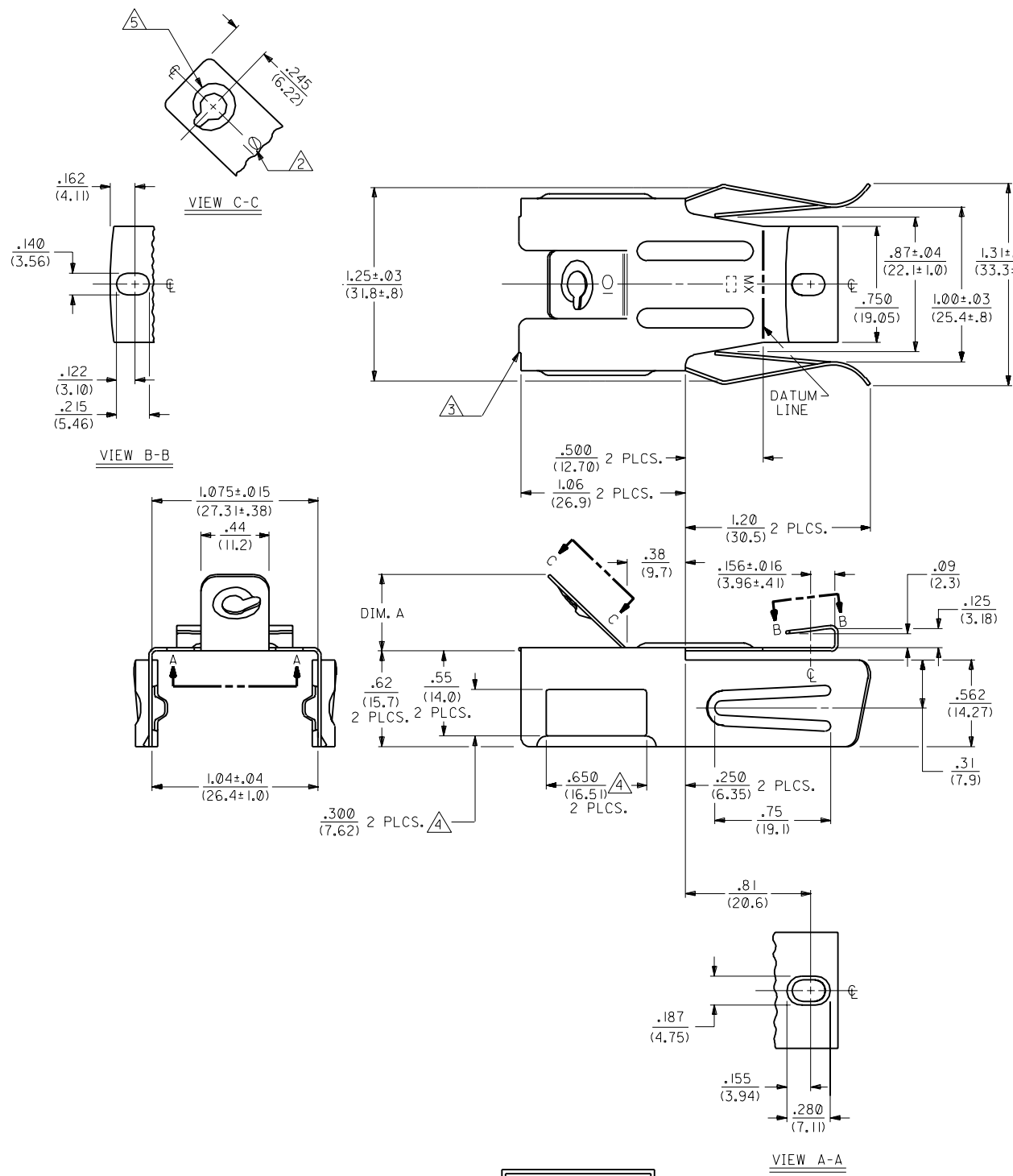


NOTES:

- 1. THESE MOUNTING CLIPS ARE FOR HOLDING THE 2481 SERIES HOUSINGS TO THE MAIN PANEL TOPS OF ELECTRIC RANGES.
- 2. SCREW SIZE INDICATION.
- 3. .015/(.38) MAXIMUM CUT OFF.
- 4. .010/(.25) MAXIMUM MISMATCH.
- 5. THREAD FORM FOR A #10-32 SCREW.
- 6. THIS SURFACE MAY BE FORMED IN THIS DIRECTION A MAXIMUM OF 5°.



2589-ID-10

MATERIAL:

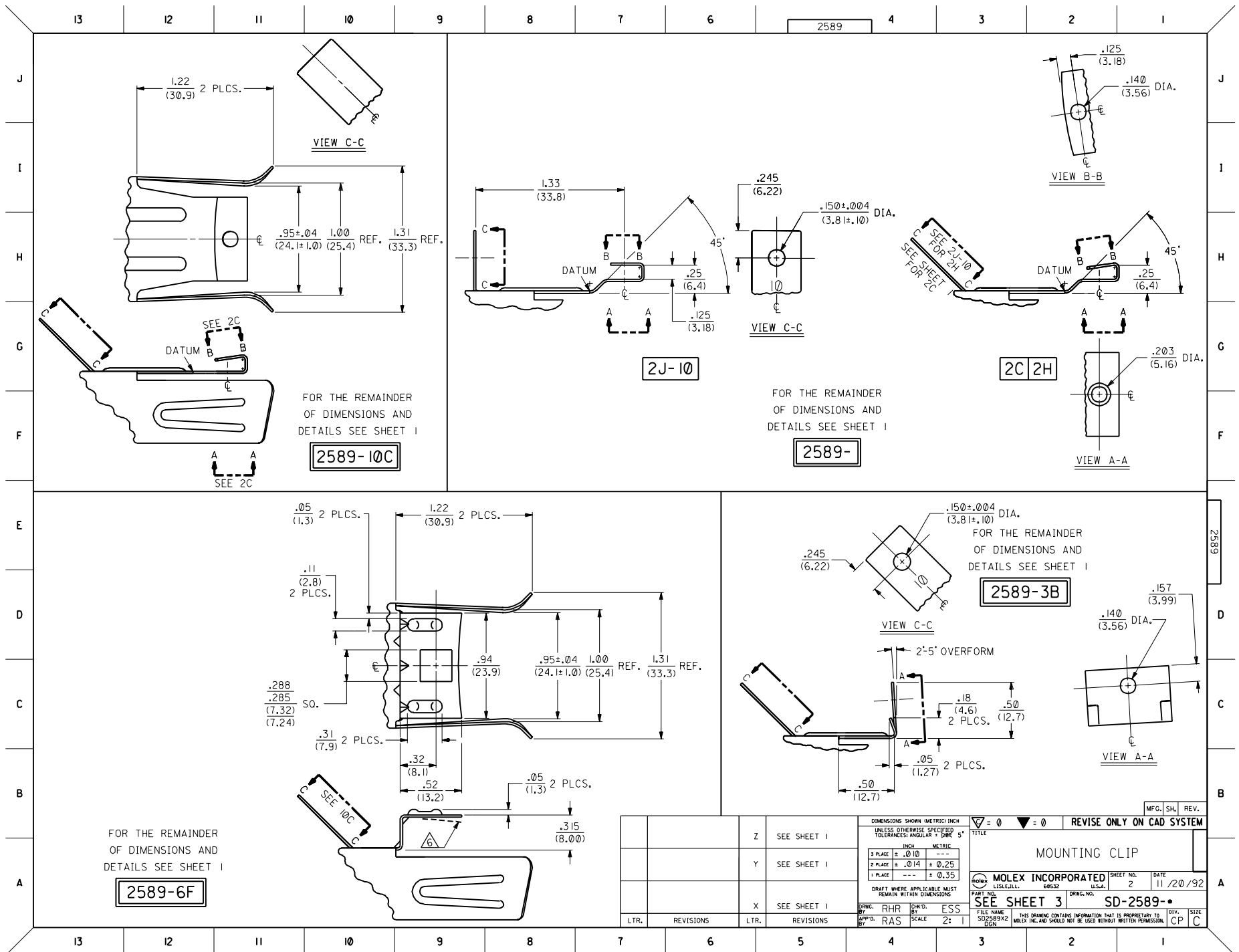
STEEL, STAINLESS, TYPE 301, .020/(.51) THICK.

AC	OBSOLETED P/N	UCR2002-0255	01/9/12	COMERCI
AB2	REMOVED NOTCH	UCR2000-0104	8/11/99	COMERCI
AB1	REV. RADII	UCR2000-0086	8/05/99	COMERCI
AB	REVISED	UCR 1999-0818	6/03/99	ELHAG
AA	REVISED	ECN U4 0744	6/16/94	RHR
Z	REVISED	ECN U4 0213	2/14/94	RHR
Y	REVISED	ECN U3 0739	5/13/93	RHR
X	REDRAWN & REDIM.	ECN U2 1712	11/25/92	RHR

3	AB
2	Z
1	AC

DIMENSIONS SHOWN (METRIC) INCH	
UNLESS OTHERWISE SPECIFIED TOLERANCES ANGULAR ± DMS 5°	
3 PLACE ± .010	---
2 PLACE ± .014	± 0.25
1 PLACE ---	± 0.35
DRAFT WHERE APPLICABLE MUST REMAIN WITHIN DIMENSIONS	
DRWG. BY RHR	CHK'D. BY ESS
APP'D. BY RAS	SCALE 2: 1

▽ = 0	▼ = 0	REVISE ONLY ON CAD SYSTEM
TITLE MOUNTING CLIP		
MOLEX INCORPORATED	SHEET NO. 1 of 3	DATE 11/20/92
1151E,ILL. 60532	U.S.A.	
PART NO. SEE SHEET 3	DRWG. NO. SD-2589-*	
FILE NAME SD2589X1	DIV. CP	SIZE
THIS DRAWING CONTAINS INFORMATION THAT IS PROPRIETARY TO MOLEX INC. AND SHOULD NOT BE USED WITHOUT WRITTEN PERMISSION.		



FOR THE REMAINDER OF DIMENSIONS AND DETAILS SEE SHEET I

2589-10C

2J-10

FOR THE REMAINDER OF DIMENSIONS AND DETAILS SEE SHEET I

2589-

2C 2H

FOR THE REMAINDER OF DIMENSIONS AND DETAILS SEE SHEET I

2589-3B

FOR THE REMAINDER OF DIMENSIONS AND DETAILS SEE SHEET I

2589-6F

LTR.	REVISIONS	LTR.	REVISIONS
		Z	SEE SHEET I
		Y	SEE SHEET I
		X	SEE SHEET I

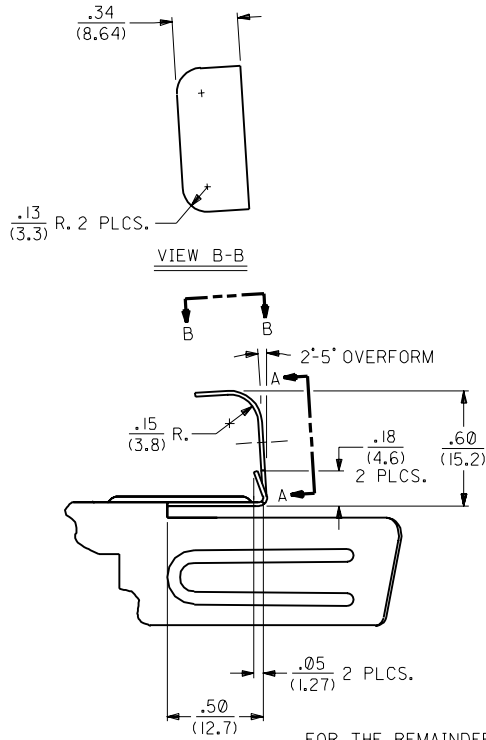
DIMENSIONS SHOWN (METRIC) INCH UNLESS OTHERWISE SPECIFIED TOLERANCES: ANGULAR ± .005°			
INCH		METRIC	
3 PLACE	± .010	---	---
2 PLACE	± .014	± 0.25	---
1 PLACE	---	± 0.35	---

DRAFT WHERE APPLICABLE MUST REMAIN WITHIN DIMENSIONS

DRWG. BY: RHR
 APP'D. BY: RAS
 CHK'D. BY: ESS
 SCALE: 2:1

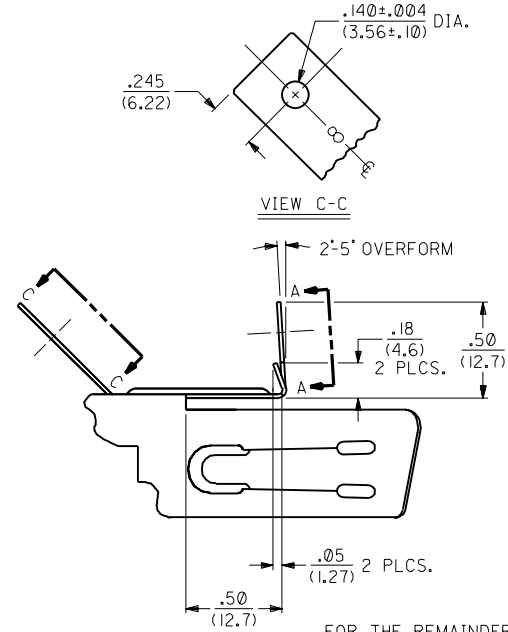
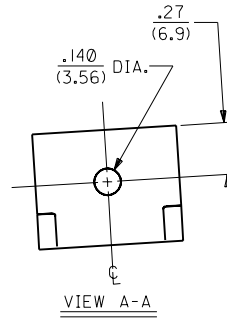
MFG. SH. REV.		REVISE ONLY ON CAD SYSTEM	
TITLE: MOUNTING CLIP			
MOLEX INCORPORATED LITTLE ROCK, U.S.A.	SHEET NO. 2	DATE	11/20/92
PART NO. SD2589X2	SEE SHEET 3	DRWG. NO.	SD-2589-6
FILE NAME: SD2589X2.DGN		THIS DRAWING CONTAINS INFORMATION THAT IS PROPRIETARY TO MOLEX INC. AND SHOULD NOT BE USED WITHOUT WRITTEN PERMISSION.	

PART NO.	ENG. NO.	DIMENSION	
		A	
089-00-2006	2589-ID-10	.48±.025 (12.2±.64)	
089-00-2022	2589-2C	.53±.025 (13.5±.64)	
089-00-2025	2589-2H	.656±.025 (16.66±.64)	
089-00-2027	2589-2J-10	.562±.025 (14.27±.64)	
089-00-2041	2589-3B	.48±.025 (12.2±.64)	
089-00-2047	2589-6F	.375±.015 (9.53±.38)	
089-00-2100	2589-10C	.48±.025 (12.2±.64)	
089-00-2101	2589-21A	.62±.025 (15.7±.64)	OBSOLETE
089-00-2103	2589-23	.62±.025 (15.7±.64)	



FOR THE REMAINDER
OF DIMENSIONS AND
DETAILS SEE SHEET I

2589-23



FOR THE REMAINDER
OF DIMENSIONS AND
DETAILS SEE SHEET I

2589-21A **OBSOLETE**

LTR.		REVISIONS		LTR.		REVISIONS	
AA	SEE SHEET I	Z	SEE SHEET I	X	SEE SHEET I		
AB	SEE SHEET I						

DIMENSIONS SHOWN (METRIC) INCH		▽ = 0 ▼ = 0		REVISE ONLY ON CAD SYSTEM	
UNLESS OTHERWISE SPECIFIED TOLERANCES: ANGULAR ± .5°		TITLE		MOUNTING CLIP	
3 PLACE ± .010		INCH		METRIC	
2 PLACE ± .014 ± 0.25		---		---	
1 PLACE --- ± 0.35		---		---	
DRAFT WHERE APPLICABLE MUST REMAIN WITHIN DIMENSIONS					
DRWG. BY: RHR	CHK'D. BY: ESS	PART NO. SD-2589-3		DRWG. NO. SD-2589-*	
APP'D. BY: RAS	SCALE: 2: 1	FILE NAME: SD2589X3		DIV. CP	
MFG. SH. REV.		SHEET NO. 3		DATE 2/24/93	
MOLEX INCORPORATED U.S.A.		L15LEJLL 69532			