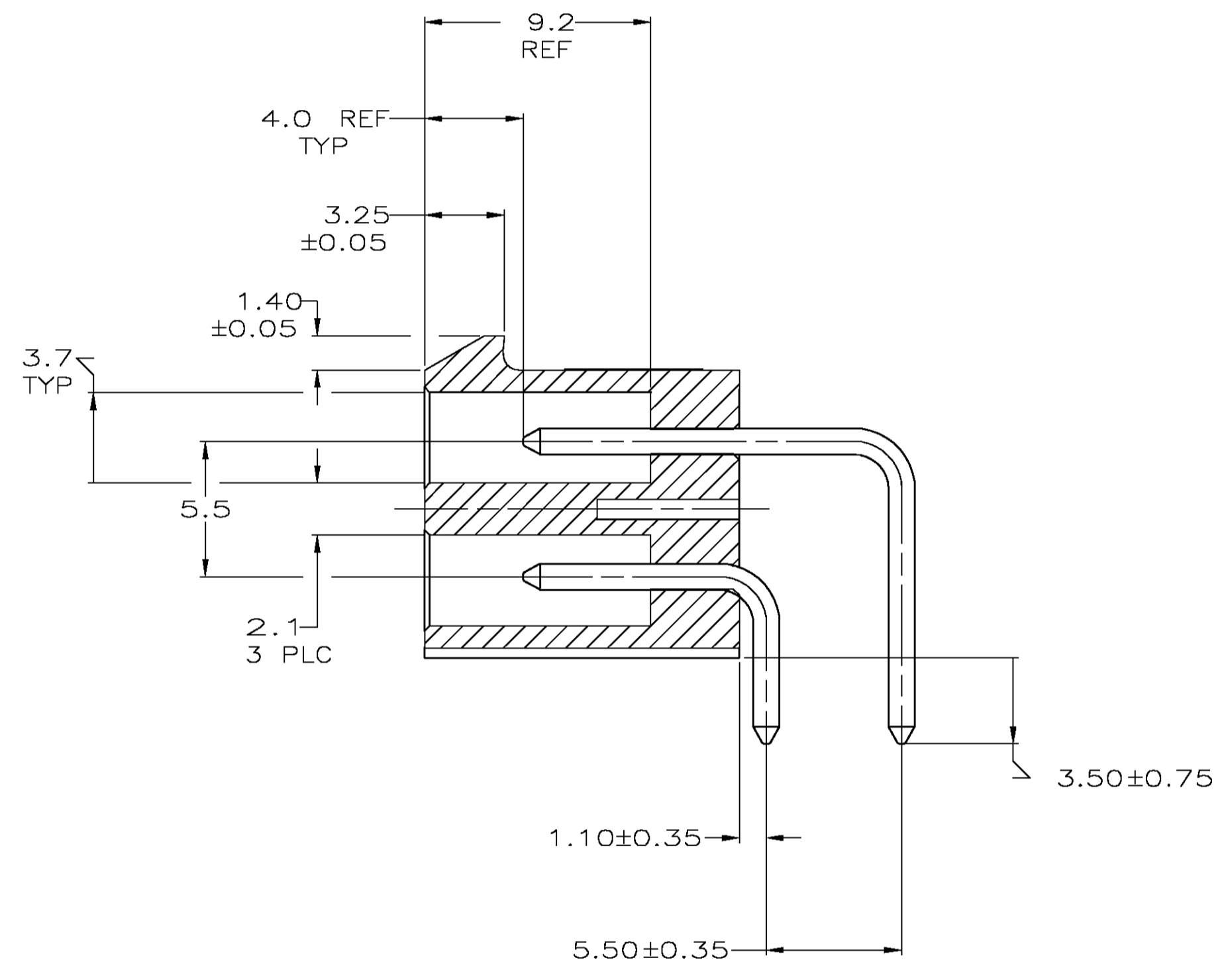
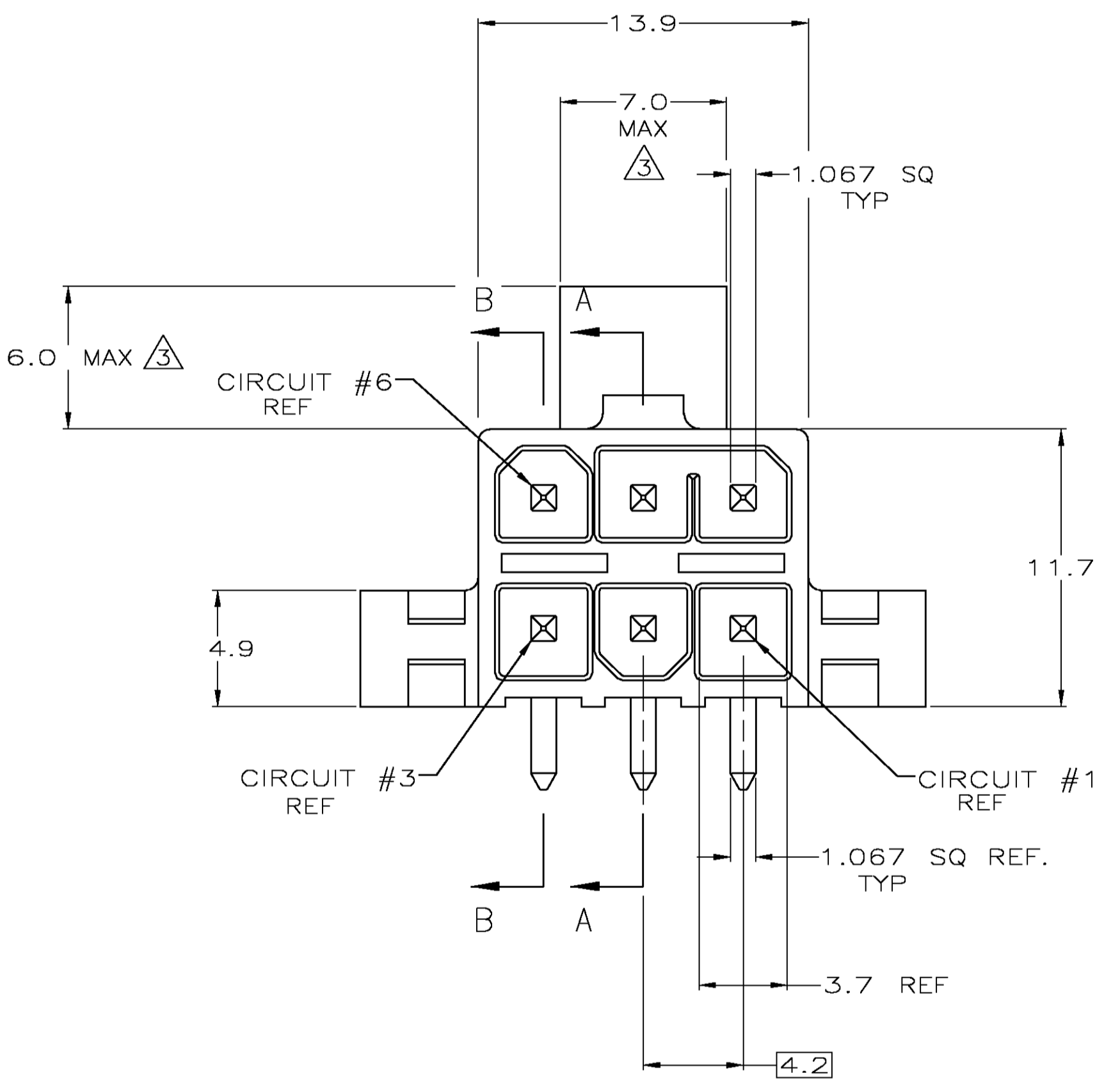
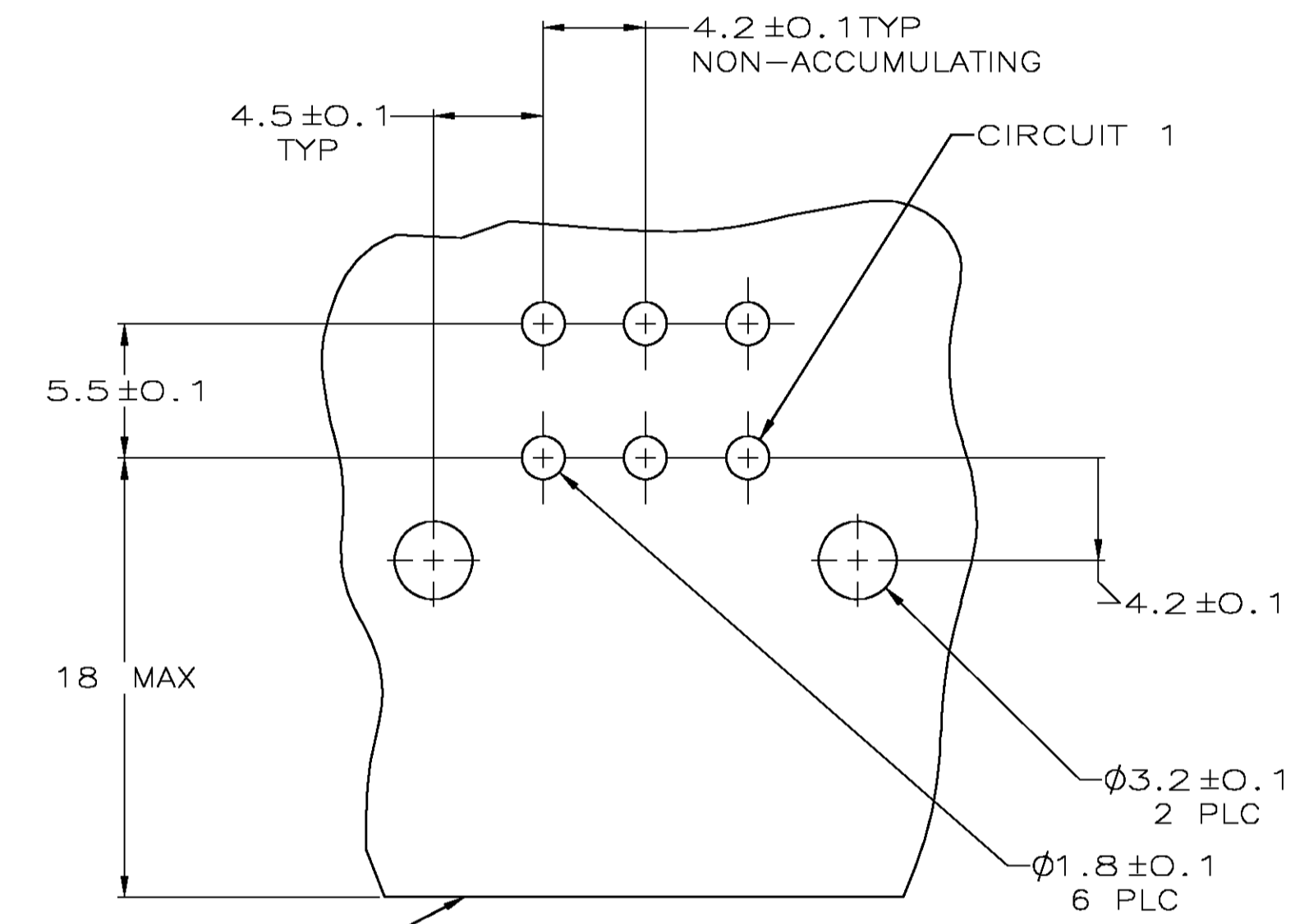


SECTION B-B

- △ CONTACT: 0.00076 GOLD AT INTERFACE. 0.00254 MIN MATTE TIN ON SOLDER TAIL. 0.00127 MIN NICKEL UNDERPLATE ALL OVER.
- 2. MATES WITH AMP-DUAC/PL PLUG RECEPTACLE 794153 AND ITS CONTACTS.
- △ CLEARANCE ENVELOPE FOR MATING PLUG RECEPTACLE LATCH.
- △ ALL POSTS STANDARD.
- △ CONTACT GROUND POST LOCATED IN CIRCUIT 3, ASSEMBLY P/N 5794173-3.
- △ CONTACT GROUND POST LOCATED IN CIRCUIT 3, ASSEMBLY P/N: 5794173-4.

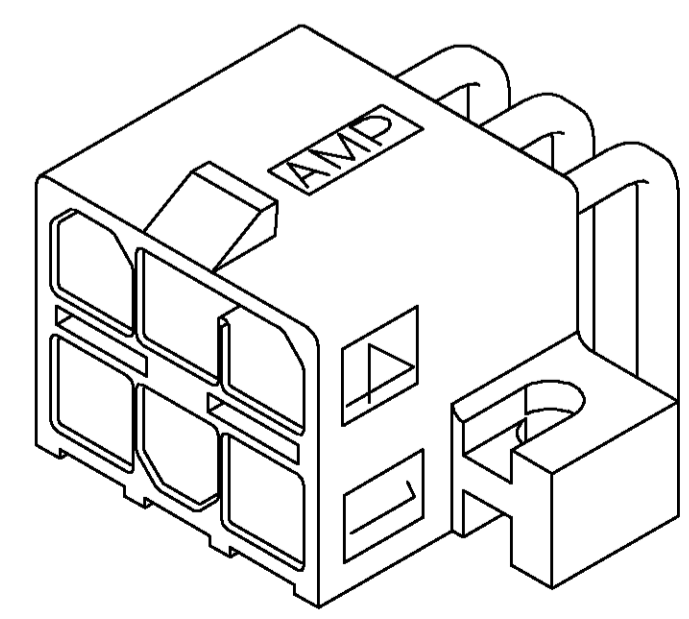


SECTION A-A



RECOMMENDED MOUNTING HOLE PATTERN FOR 1.78 MAX THICK P.C. BOARD COMPONENT SIDE SHOWN SCALE 4:1

5794173-3 SHOWN



3-DIMENSIONAL MODEL NTS

△	2,5	BRASS	△	PBT, UL94V-0	NATURAL(WHITE)	5794173-4
△	-	BRASS	△	PBT, UL94V-0	NATURAL(WHITE)	5794173-3
△	-	BRASS	△	PBT, UL94V-0	NATURAL(WHITE)	5794173-2
	POST NO. OMITTED	MATERIAL	FINISH	MATERIAL	COLOR	PART NO



THIS DRAWING IS A CONTROLLED DOCUMENT.

DIMENSIONS: mm	TOLERANCES UNLESS OTHERWISE SPECIFIED:	DWN: R. GRZYBOWSKI	04MAR05	APVD: A. FRANTUM	04MAR05	NAME: Tyco Electronics Corporation, Middletown, Pa 17057
0 PLC ± -	1 PLC ± 0.2	APVD: A. FRANTUM	04MAR05	PRODUCT SPEC: 108-1646	APPLICATION SPEC: 114-6067	SIZE: A1
2 PLC ± 0.13	3 PLC ± -	FINISH: SEE TABLE	SEE TABLE	WEIGHT: -	CAGE CODE: 00779	DRAWING NO: 5794173
4 PLC ± -	ANGLES ± 0°-30°					

CUSTOMER DRAWING SCALE 5:1 SHEET 1 OF 1 REV A