



Part No: EPA090100-S/T-SZ

Date: 5/11/2007

Unit: mm

Description: linear power supply

Page No: 1 of 7



Specifications

| | | |
|---|--|------------------------------|
| Output voltage | 9 V ac at 1000 mA | |
| Rated input voltage | 120 V ac | |
| Primary rated voltage | 120 V ac 60 Hz 9 W | |
| Primary exciting current | 30 mA rms max. | |
| Secondary rated voltage & current | no load voltage (max.) | 11.8 V ref |
| | full load voltage (1000 mA) | 9 V \pm 5% |
| Temperature rise of primary winding (full load) | 70°C max. using resistance method | |
| Insulation resistance | \geq 100 M Ohm at 500 V dc | |
| HI-POT test | from input to output for 1 min. | 1240 V ac at 2 mA |
| | from input to output for 1 sec. | 1600 V ac at 2 mA |
| | from primary to secondary winding for 1 sec. | 1600 V ac at 2 mA |
| | from primary winding to core for 1 sec. | 1600 V ac at 2 mA |
| | from secondary winding to core for 1 sec. | 750 V ac at 2 mA |
| Safety standards | UL/cUL | |
| RoHS compliant | yes | |
| No load power consumption | 0.5 W max. | |
| Efficiency | Energy Star Compliant - Efficiency Level IV | |
| Test conditions | Ambient temp | 40°C \pm 2°C |
| | Humidity | 90-95% 96 hours at Full Load |
| | Rated voltage | 8 hours at full load |
| Adapter color | Case | black |
| | Cord | black |



CUI INC

Part No: EPA090100-S/T-SZ

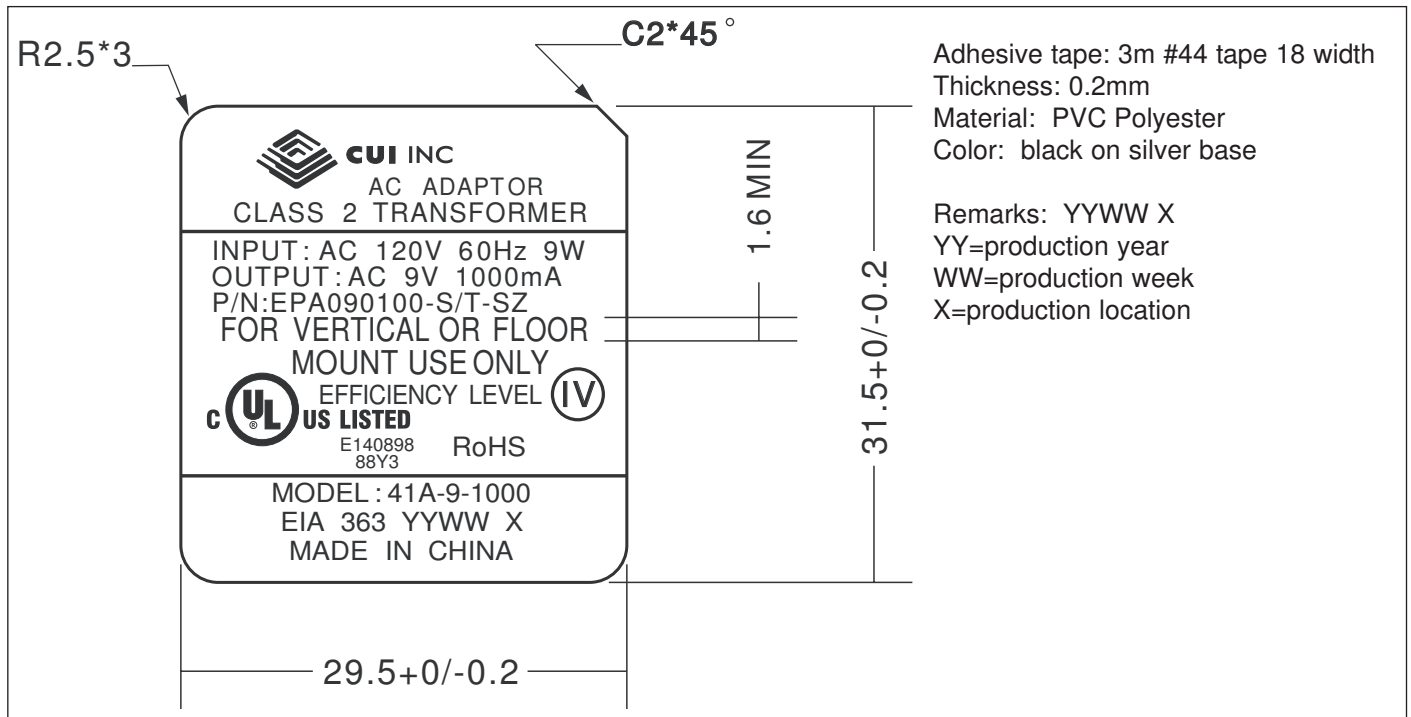
Date: 5/11/2007

Unit: mm

Description: linear power supply

Page No: 2 of 7

Label



Adhesive tape: 3m #44 tape 18 width
Thickness: 0.2mm
Material: PVC Polyester
Color: black on silver base

Remarks: YYWW X
YY=production year
WW=production week
X=production location



Part No: EPA090100-S/T-SZ

Date: 5/11/2007

Unit: mm

Description: linear power supply

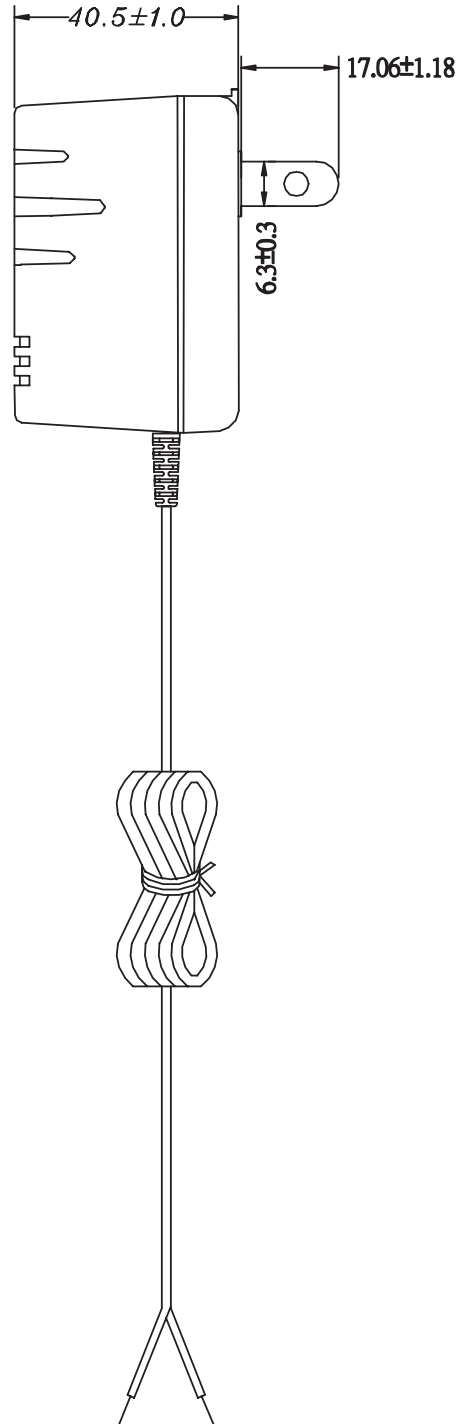
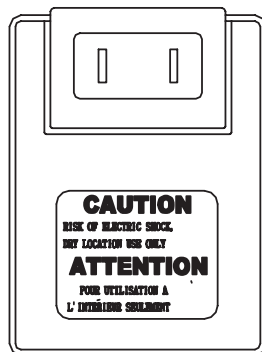
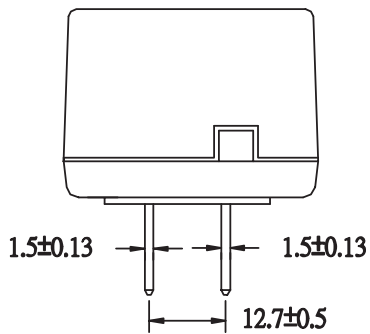
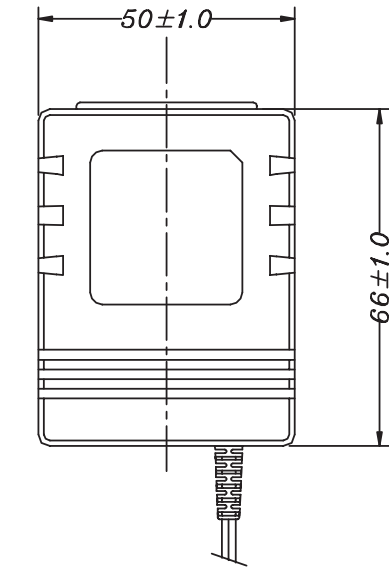
Page No: 3 of 7

Mechanical Drawing

Tolerance: ± 1

Weight

330 g





Part No: EPA090100-S/T-SZ

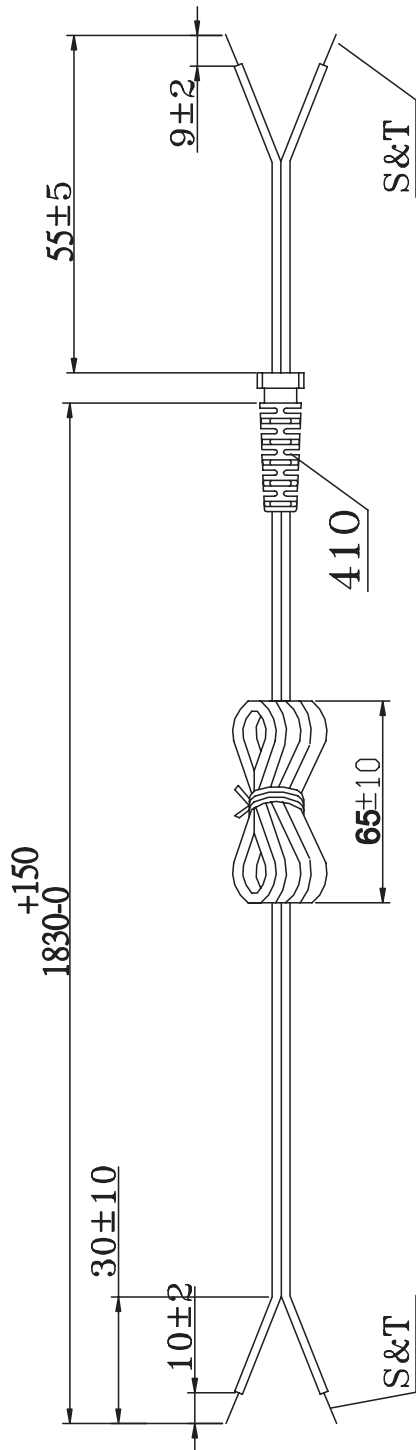
Date: 5/11/2007

Unit: mm

Description: linear power supply

Page No: 4 of 7

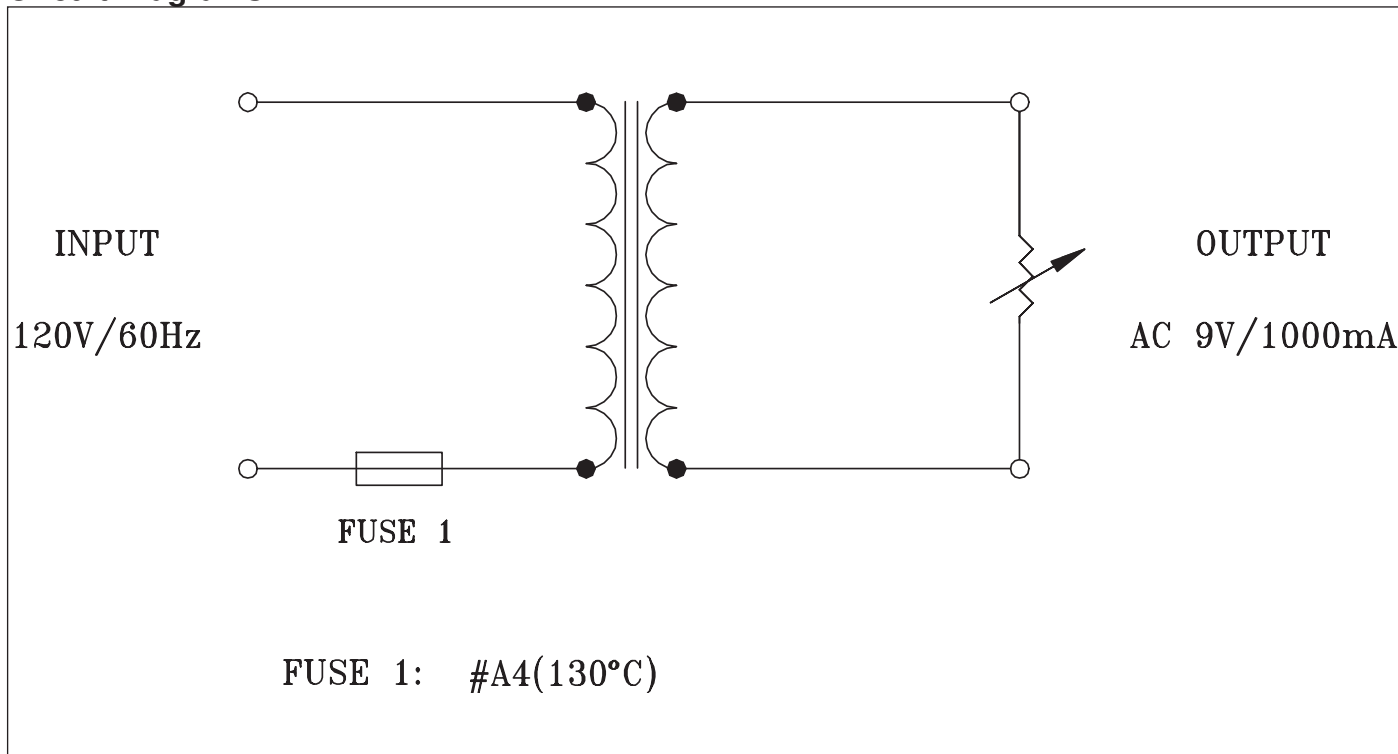
DC Cord



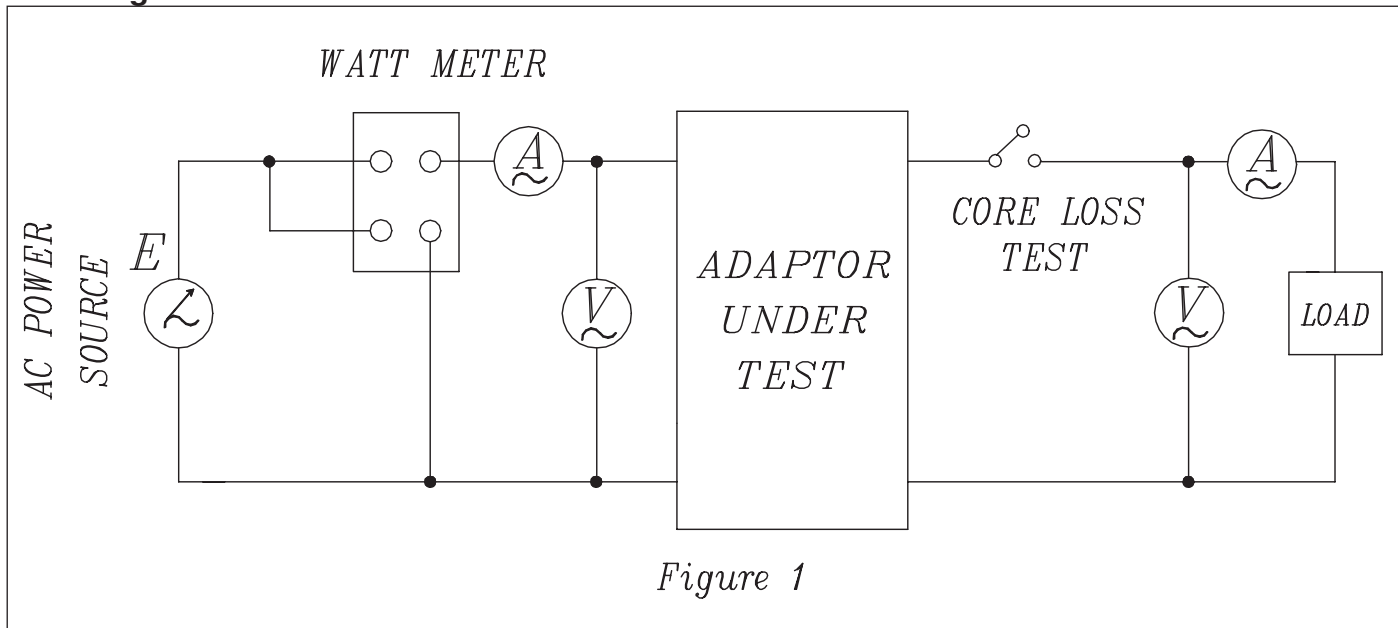
#22AWG X2C BLACK/WHITE WIRE BLACK WIRE IN NEGATIVE, BLACK/WHITE WIRE IN POSITIVE
WIRE OD: $\emptyset 1.8 \times 3.6$

| Parameter request | |
|-------------------|------------------------|
| VIBRATION TEST | a. $\pm 60^\circ$ |
| | b. WEIGHT 200g |
| | c. 40 ROUND/MINUTE |
| | d. OVER 1000 COUNT MIN |

Circuit Diagrams



Test Diagram





Part No: EPA090100-S/T-SZ

Date: 5/11/2007

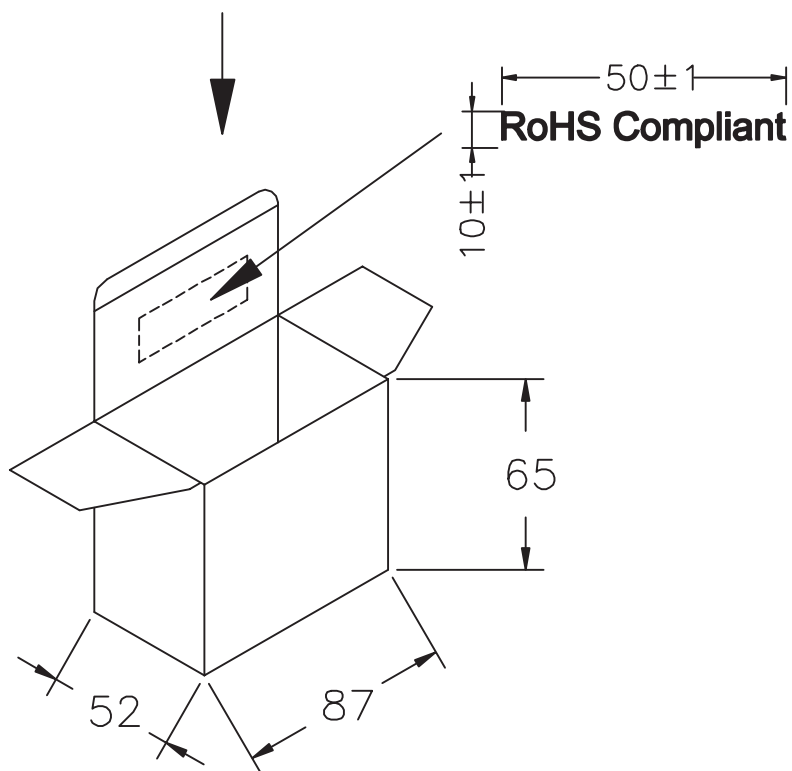
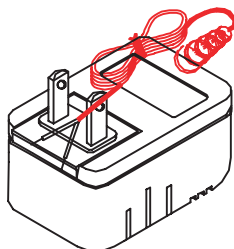
Unit: mm

Description: linear power supply

Page No: 6 of 7

Individual Packaging

Tolerance: ± 1





Part No: EPA090100-S/T-SZ

Date: 5/11/2007

Unit: mm

Description: linear power supply

Page No: 7 of 7

Packaging

Tolerance: +7/-0

EXTERNAL CARTON MATERIAL:A=B(6mm)
CARTON SIZE: 352X286X140mm
Q'TY: 30pcs(15*2)

