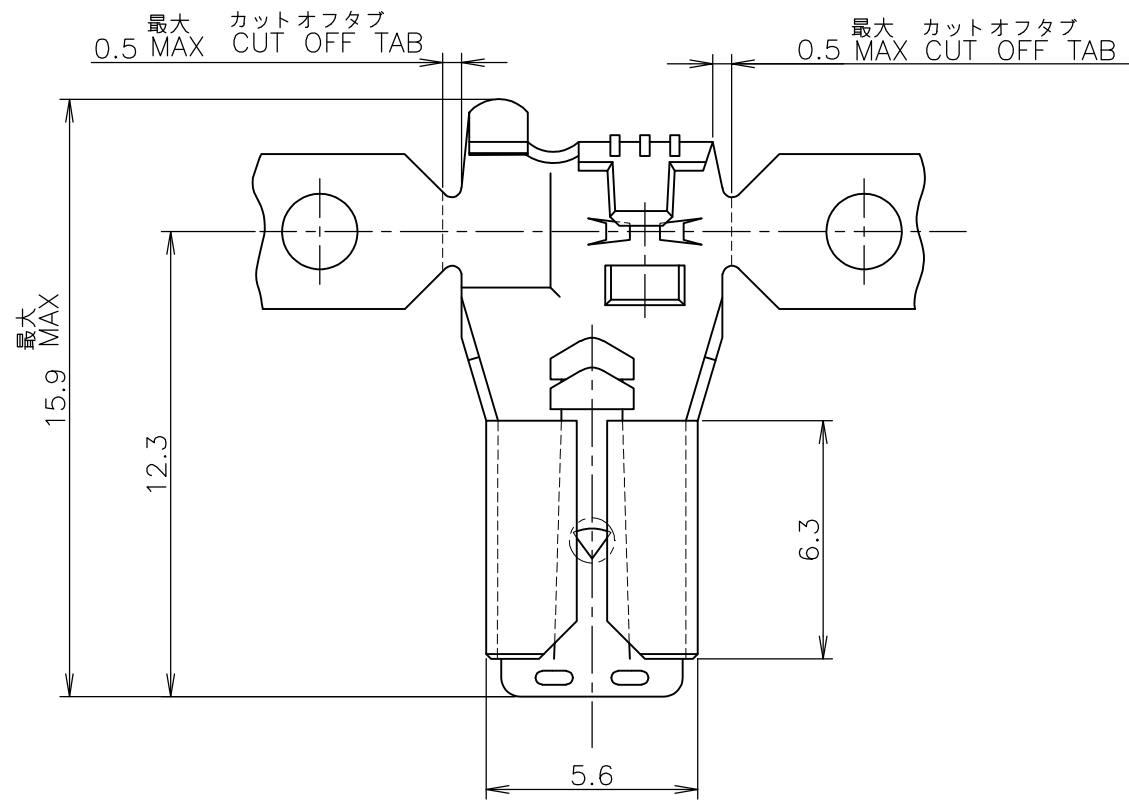


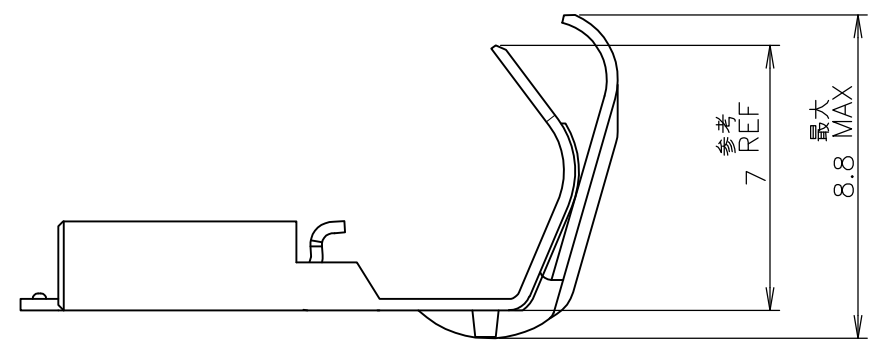
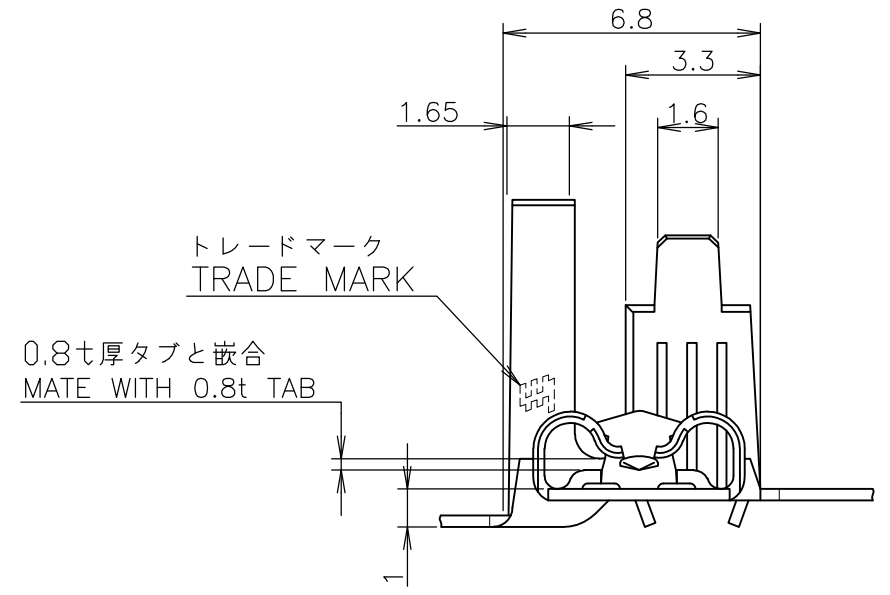
THIS DRAWING IS UNPUBLISHED. RELEASED FOR PUBLICATION DEC ,2001.
 © COPYRIGHT 2001 By - ALL RIGHTS RESERVED.

LOC	DIST	REVISIONS 変更					
J	/	P	LTR	DESCRIPTION	DATE	DWN	APVD
			C1	REVISED PER ECO-11-005030	11MAR11	RK	HMR



-1; AS SHOWN

- 1 SLEEVE P/N *-174816-* IS APPLICABLE BUT ONE TOUCH SLEEVE P/N *-178708-* IS NOT APPLICABLE
- 1 スリーブ型番 *-174816-* は適用可 但しワンタッチスリーブ型番 *-178708-* は適用不可



PRE TINNED BRASS 0.3t 錫めっき済み黄銅 0.3t	175193-1
MATERIAL 材質	P/N 型番
WIRE RANGE 抱合電線断面積	AWG #22-#16 0.3~1.42 mm ²
INSULATION DIA 被覆外径	1.5~4.32 mm ϕ



NAME 名称				187 SERIES FLAG POSITIVE LOCK-EX REC. 0.8 THK TAB	
PRODUCT SPEC 製品規格				108-5250	
APPLICATION SPEC 取付適用規格				114-5118	
SIZE	CAGE CODE	DRAWING NO 番号	RESTRICTED TO		
A3	00779	C-175193	-		
CUSTOMER DRAWING			SCALE 尺度	SHEET	REV
			5:1	1 OF 1	C1

THIS DRAWING IS A CONTROLLED DOCUMENT.		DWN T.HATANO	05DEC2001
		CHK M.SHINDO	05DEC2001
		APVD M.SHINDO	05DEC2001
DIMENSIONS: 単位: 耗 mm		TOLERANCES UNLESS OTHERWISE SPECIFIED: 一般公差	
		0 PLC	±
		1 PLC	±
		2 PLC	±
		3 PLC	±
		4 PLC	±
MATERIAL 材料		FINISH 仕上	
表参照 SEE TABLE			

GENERAL TOLERANCE 一般公差
10 ≥ : ±0.2
30 ≥ > 10: ±0.25
100 ≥ > 30: ±0.3
ANGLES: ±3°