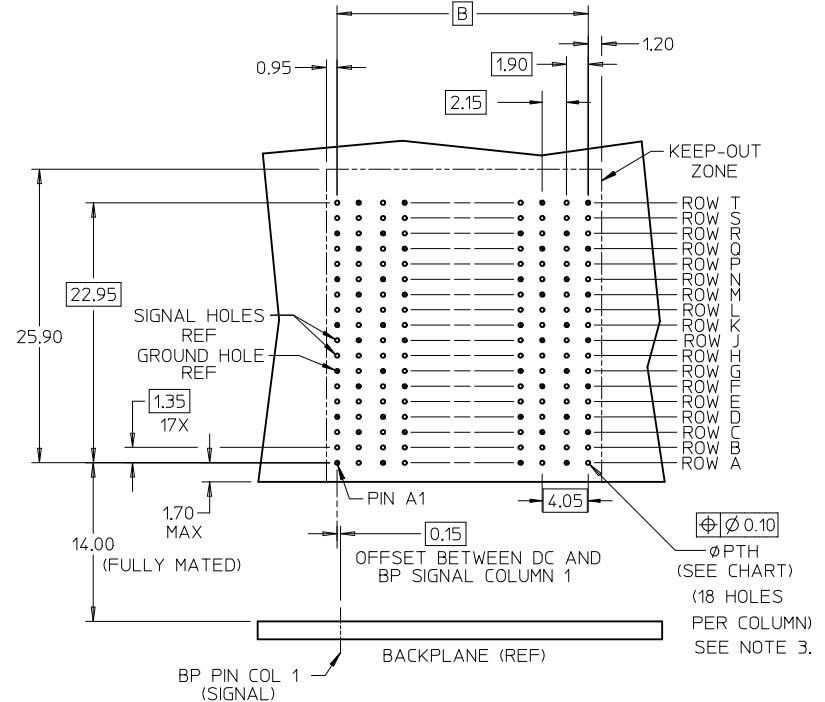
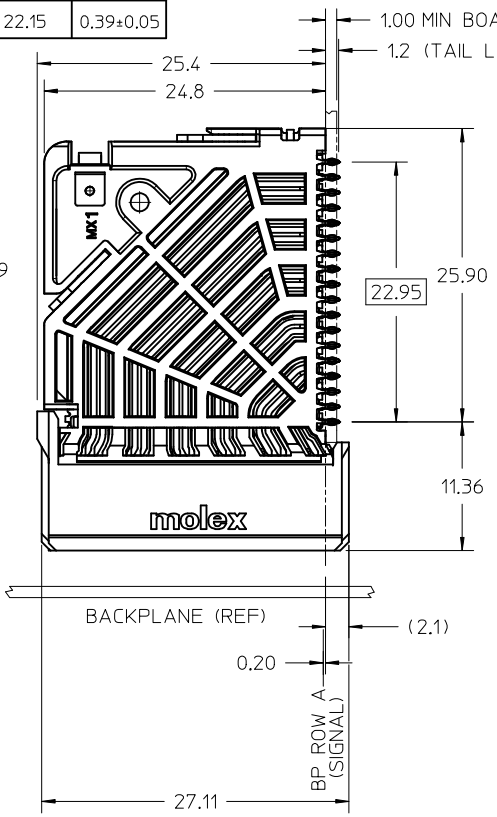
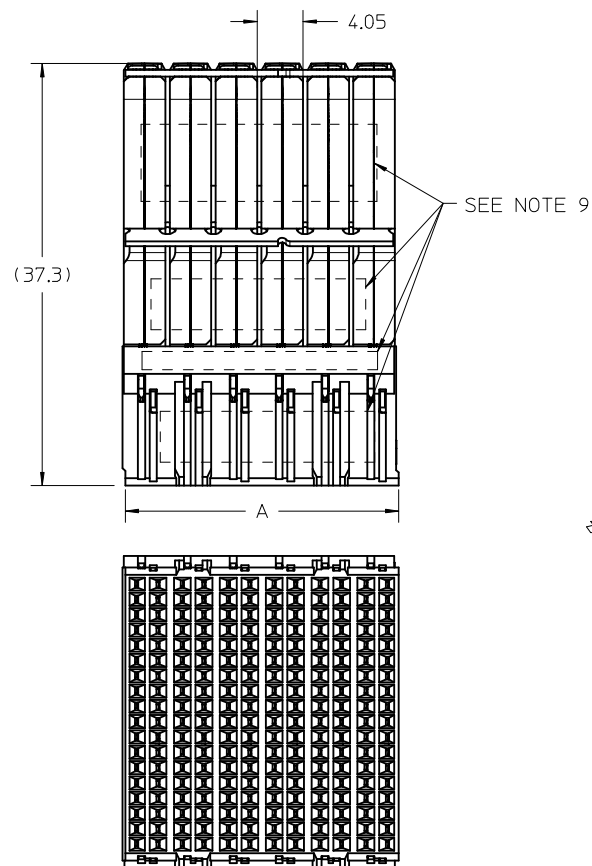
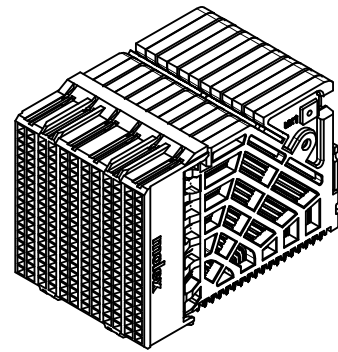


MATERIAL NUMBER	# OF COLUMNS	# OF DIFF PAIR	DIM "A" MAX	DIM "B"	PTH $\phi$
76290-1010	10	60	20.25	18.10	0.46 $\pm$ 0.05
76290-1020	10	60	20.25	18.10	0.39 $\pm$ 0.05
76290-1012	12	72	24.30	22.15	0.46 $\pm$ 0.05
76290-1022	12	72	24.30	22.15	0.39 $\pm$ 0.05

76290-\*0\*\*

MODULE & TAIL PLATING TYPE  
1 = UNGUIDED, LEAD-FREE

# OF COLUMNS  
10 = 10 COL 0.46 PTH  
20 = 10 COL 0.39 PTH  
12 = 12 COL 0.46 PTH  
22 = 12 COL 0.39 PTH



DAUGHTERCARD HOLE PATTERN  
(CONNECTOR SIDE)

- NOTES:
1. MATERIALS: HOUSING - LIQUID CRYSTAL POLYMER (LCP), GLASS-FILLED, UL94V-0  
TERMINALS - HIGH PERFORMANCE COPPER ALLOY
  2. FINISH: 30 $\mu$ IN MIN GOLD IN CONTACT AREA, SELECTIVE TIN ON PCB TAILS, NICKEL OVERALL.
  3. REFER TO MOLEX PRODUCT SPEC PS-76060-999 FOR PERFORMANCE SPECIFICATIONS AND ADDITIONAL PCB INFORMATION.
  4. EACH SIGNAL WAFER CONTAINS 2 COLUMNS OF TERMINALS.
  5. PRODUCT IS PACKAGED PER PK-70873-589.
  6. THIS PART CONFORMS TO CLASS B REQUIREMENTS OF COSMETIC SPEC PS-45499-002.
  7. REFER TO MOLEX SALES DRAWING SD-76285-001 FOR THE MATING HEADERS.
  8. REFER TO MOLEX ROUTING GUIDE AS-76850-990 FOR ADDITIONAL PCB LAYOUT AND ROUTING RECOMMENDATIONS.
  9. MARKING: LOCATED APPROXIMATELY AS SHOWN, PART NUMBER AND DATE CODE.

<b>ADD LASER MARK INFO</b> EC NO: UCP2016-3973 DRAWING: VARVARA 2015/07/29 CHKD: TELO 2016/02/22 APPR: TELO 2016/04/20	<b>QUALITY SYMBOLS</b> ▽=0 ▽=0	<b>GENERAL TOLERANCES (UNLESS SPECIFIED)</b>		<b>DIMENSION STYLE</b> MM ONLY	<b>SCALE</b> 3:1	<b>DESIGN UNITS</b> METRIC	THIRD ANGLE PROJECTION		
		4 PLACES $\pm$ --- $\pm$ --- 3 PLACES $\pm$ --- $\pm$ --- 2 PLACES $\pm$ 0.15 $\pm$ --- 1 PLACE $\pm$ 0.25 $\pm$ ---	mm      INCH	DRAWN BY: JLAURX      DATE: 2009/03/24 CHECKED BY: TELO      DATE: 2010/01/13	<b>IMPACT DAUGHTERCARD 6 PAIR ORTHOGONAL UNGUIDED SALES DRAWING</b>				
		ANGULAR $\pm$ 1/2°		APPROVED BY: JB INGHAM      DATE: 2010/01/14	<b>MOLEX INCORPORATED</b>				
		DRAFT WHERE APPLICABLE MUST REMAIN WITHIN DIMENSIONS		MATERIAL NO.      DOCUMENT NO.	<b>SD-76290-001</b>				
SIZE C		THIS DRAWING CONTAINS INFORMATION THAT IS PROPRIETARY TO MOLEX INCORPORATED AND SHOULD NOT BE USED WITHOUT WRITTEN PERMISSION							