

## DETAILS

<b>Product Number</b>	CA14602_VERONICA-SQ-MINI-O
<b>Family</b>	Veronica
<b>Type</b>	Assembly
<b>Color</b>	clear
<b>Diameter</b>	13,9+13,9 mm
<b>Height</b>	8,86 mm
<b>Style</b>	square
<b>Optic Material</b>	PMMA
<b>Holder Material</b>	
<b>Fastening</b>	tape, pin
<b>Status</b>	production ready
<b>ROHS Compliant</b>	Yes
<b>Date Updated</b>	25/06/2015



## OPTICAL PROPERTIES

LED	Viewing	Light	Effi-		Connector
	Angle	Beam	ciency	cd/lm	
XP-E2	42+14 deg	Oval	92 %	3.800	-
LUXEON Rebel	42+20 deg	Oval	90 %	2.100	-
LUXEON TX	42+22 deg	Oval	90 %	2.060	-
LUXEON Rebel ES	50+23 deg	Oval	80 %	2.100	-
LUXEON Z ES	sim: 53+16	Oval	sim: 92 %	sim: 2.600	-
NVSxx19B/NVSxx19C	41+23 deg	Oval	90 %	1.900	-
Oslon Square Gen3	sim: 48+20	Oval	sim: 81 %	sim: 2.000	-
Oslon Square EC	42+20 deg	Oval	89 %	2.150	-
Z8Y22P	46+23 deg	Oval	90 %	1.500	-

D

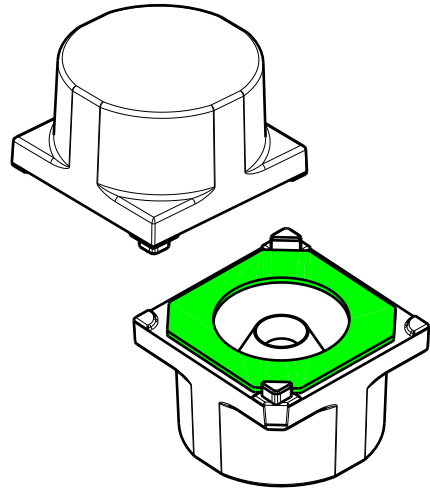
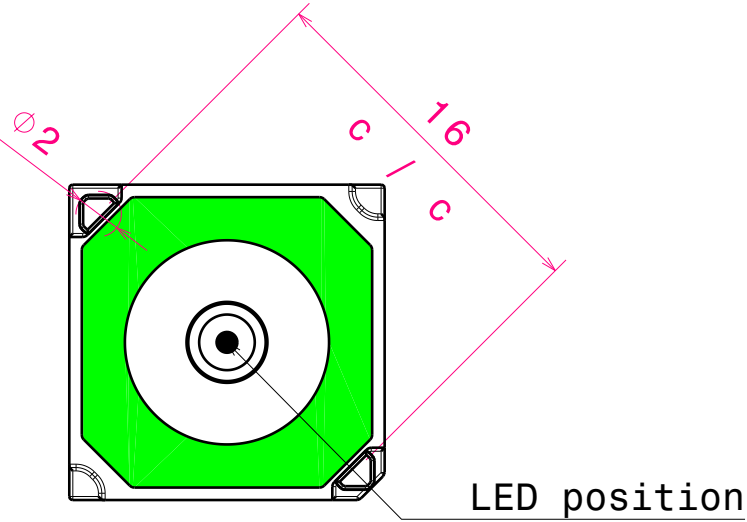
C

B

A

4

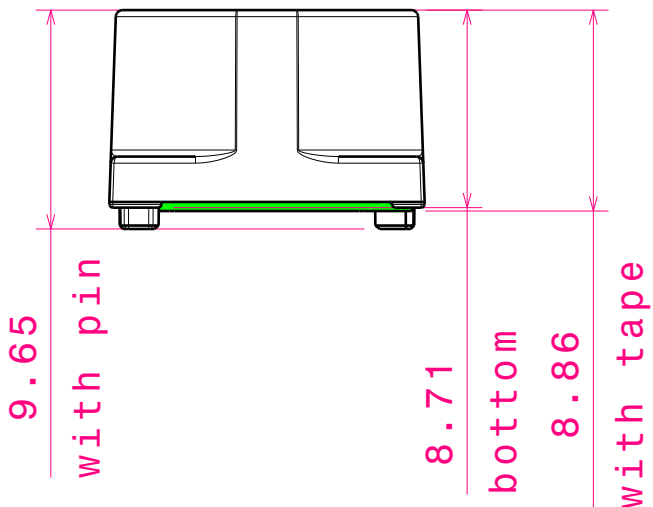
4



Isometric view  
Scale: 2:1

3

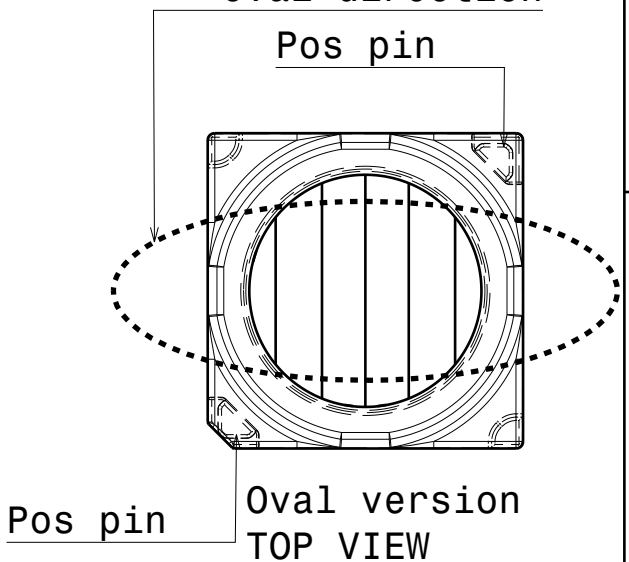
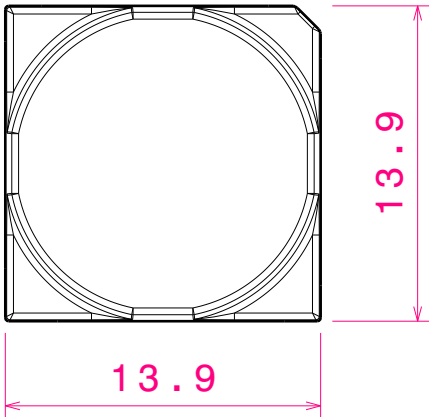
3



Oval direction  
Pos pin

2

2



INDEX	DESCRIPTION
1	VERONICA-SQ-MINI-TAPE
2	VERONICA-SQ-MINI

Tolerances if not otherwise shown  
According to DIN ISO 2768-1  
Linear measures:  
up to 30mm class M, otherwise class C  
According to DIN ISO 2768-2  
Form and position: class L

**LEDiL** Ledil Oy  
Salorankatu 10  
FIN 24240 SALO  
Finland

THIRD ANGLE PROJECTION:

DRAWING TITLE  
**VERONICA-SQ-MINI**

This drawing is the property of LEDiL Oy. It may not be reproduced, copied or communicated without a written agreement with LEDiL Oy.

SIZE PART NUMBER  
**A4** -

SCALE 3:1 WEIGHT SHEET 1/1

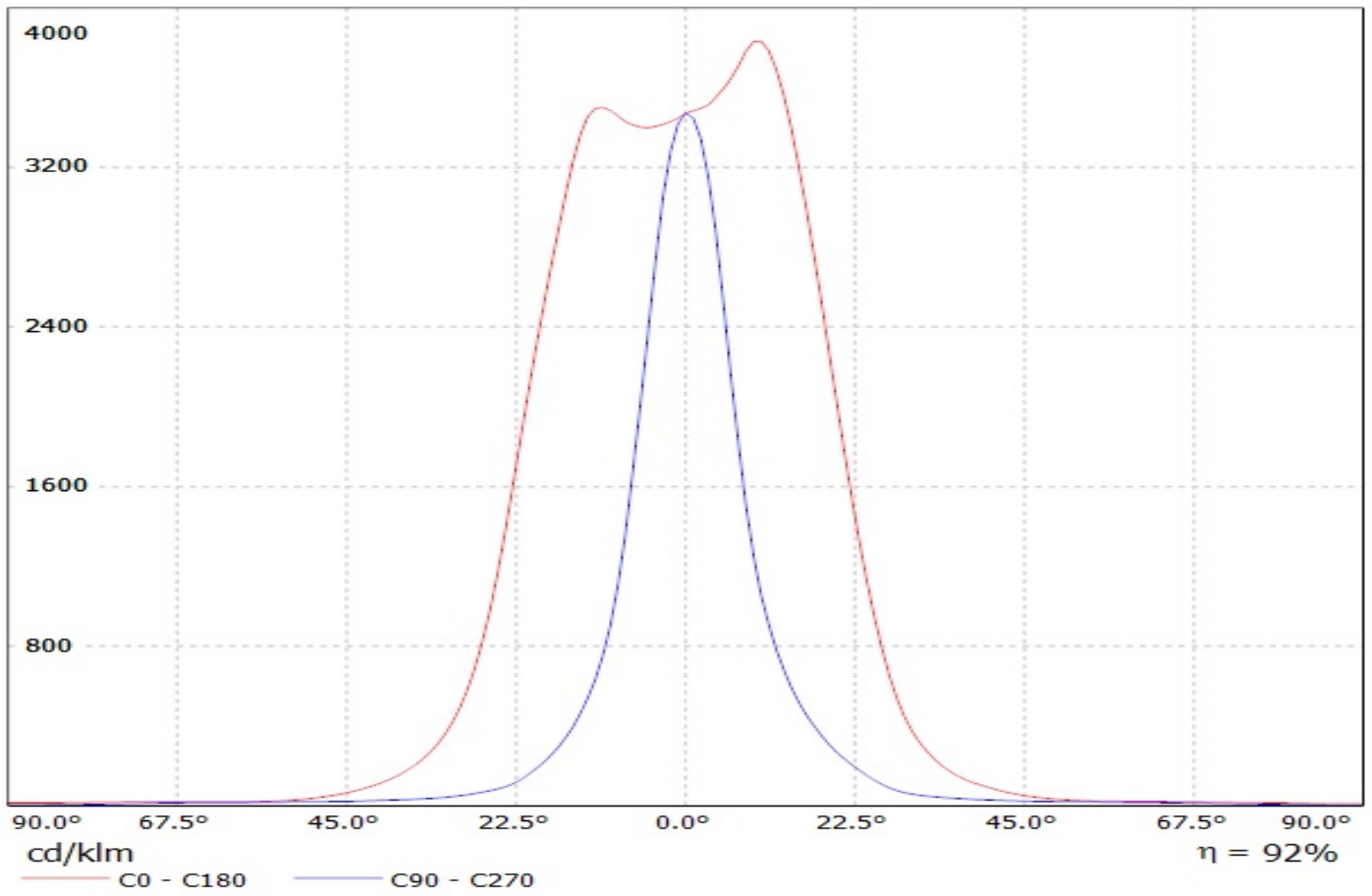
D

A

1

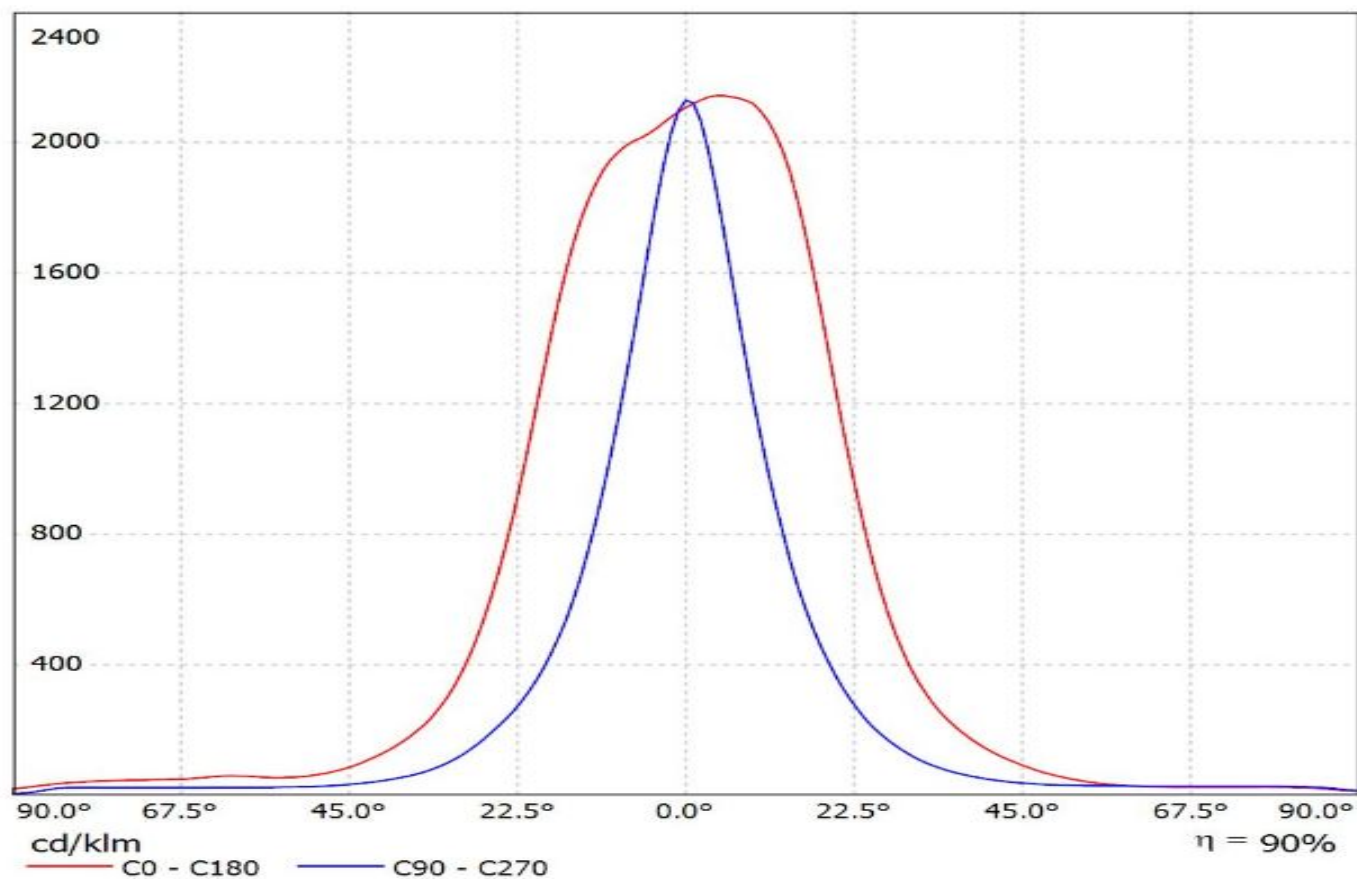
Luminaire: LEDiL Oy CA14602\_VERONICA-SQ-MINI-O\_(XP-E2)\_Cav12

Lamps: 1 x Cree\_XP-E2\_(XPEBWT-L1-7B4-Q4-0-01)\_79.3679lm@250mA\_P=0.752749W\_I=0.2499A

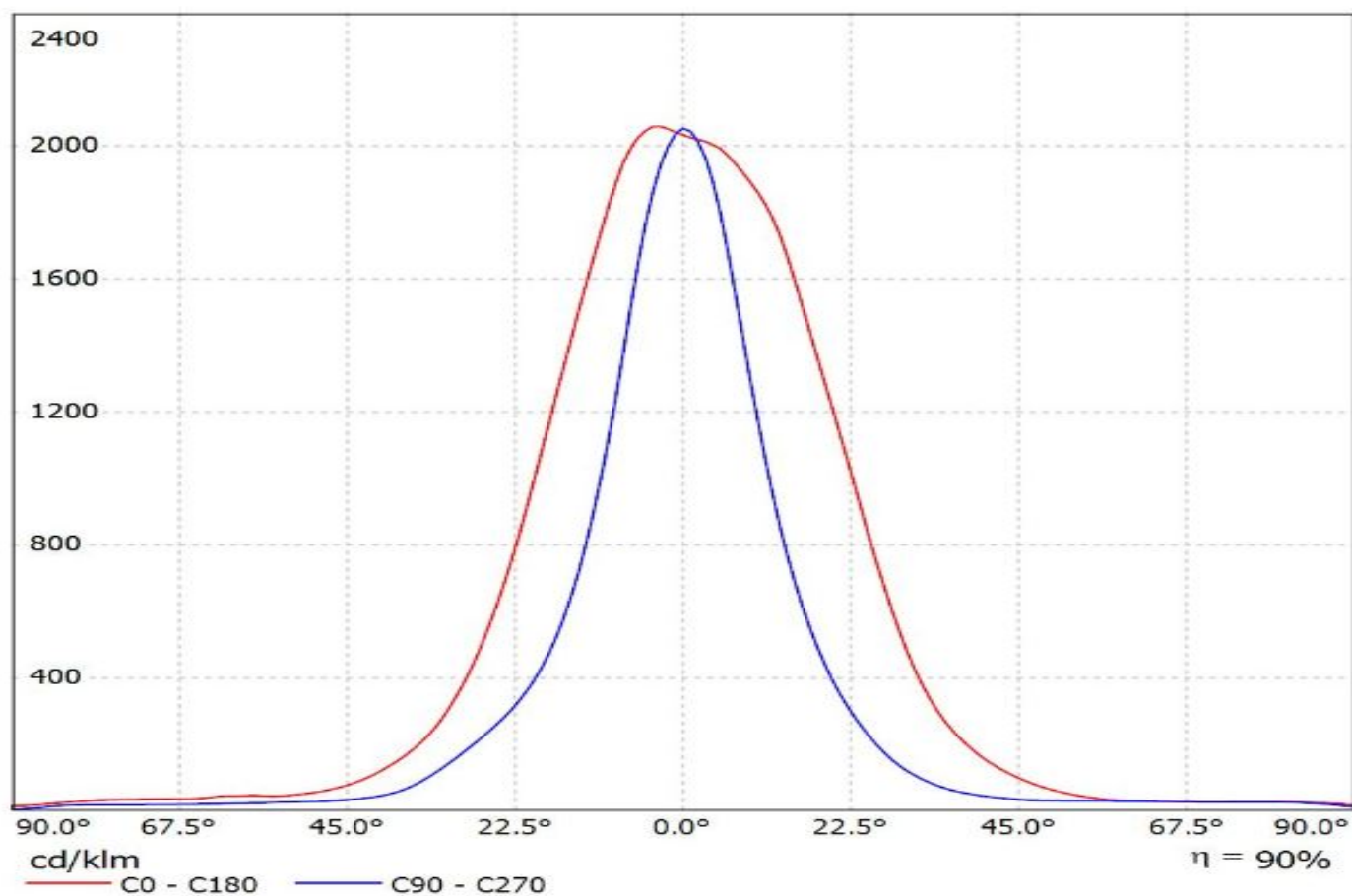


Luminaire: Ledil CA14602-Veronica-SQ-Mini-O\_(REBEL)

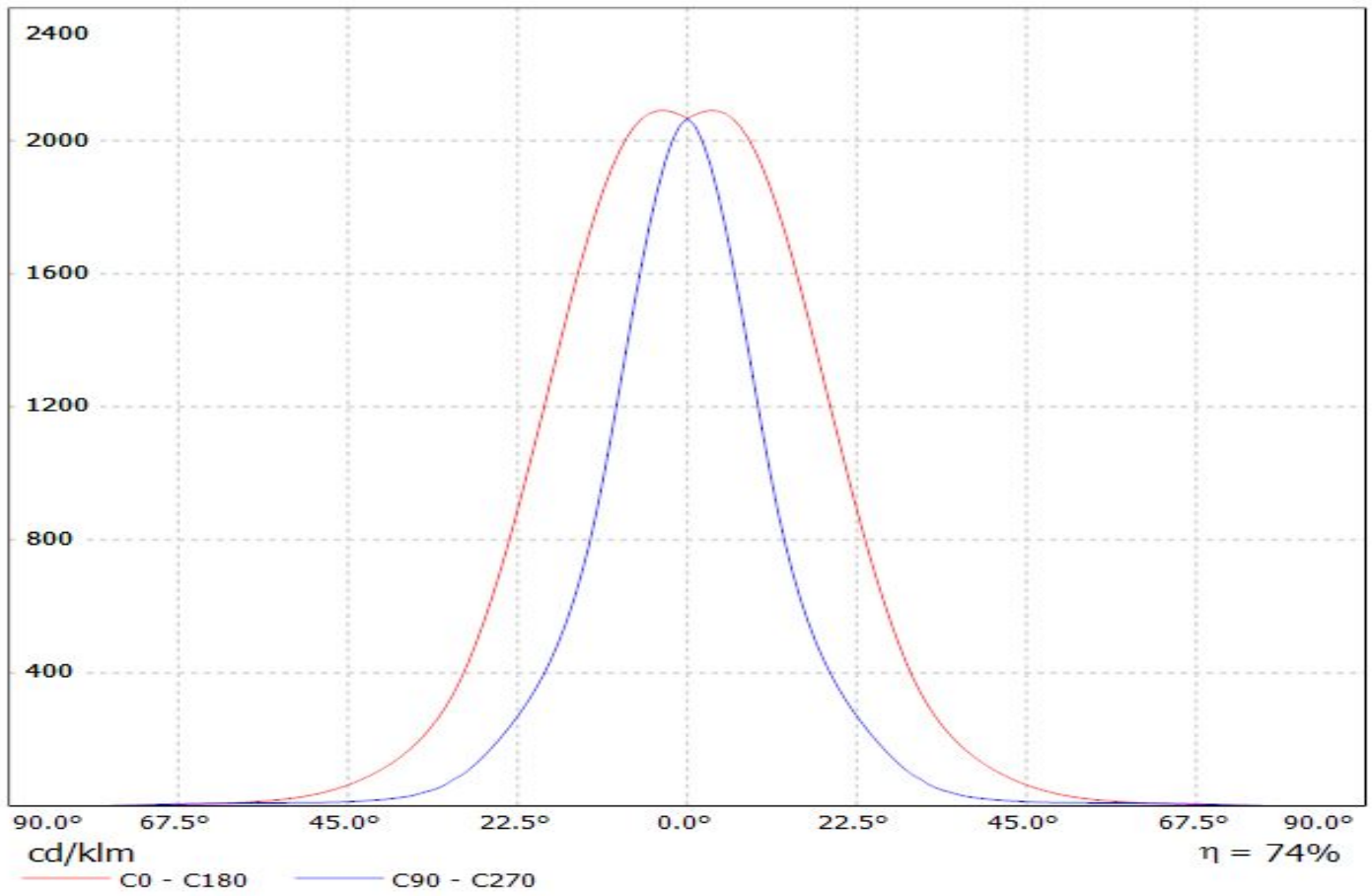
Lamps: 1 x Luxeon\_Rebel\_(LXM8-PW30)\_62.4512lm@250mA\_P=0.7303W\_I=0.25A



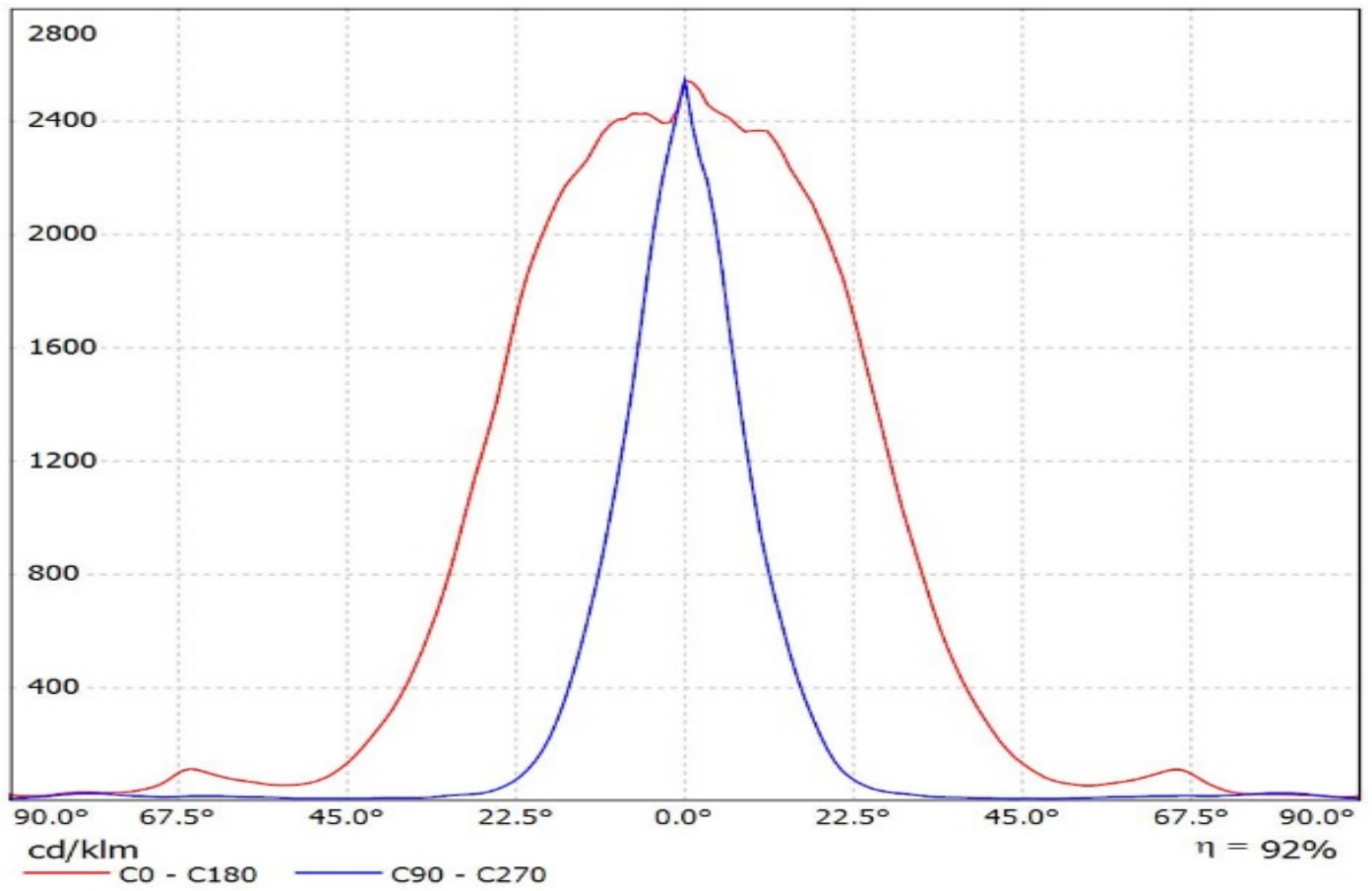
Luminaire: Ledil CA14602\_VERONICA-SQ-MINI-O\_(Luxeon\_TX)  
Lamps: 1 x Luxeon\_TX\_(L1T2-3585)\_83.3743lm@250mA\_P=0.7475W\_I=0.25A



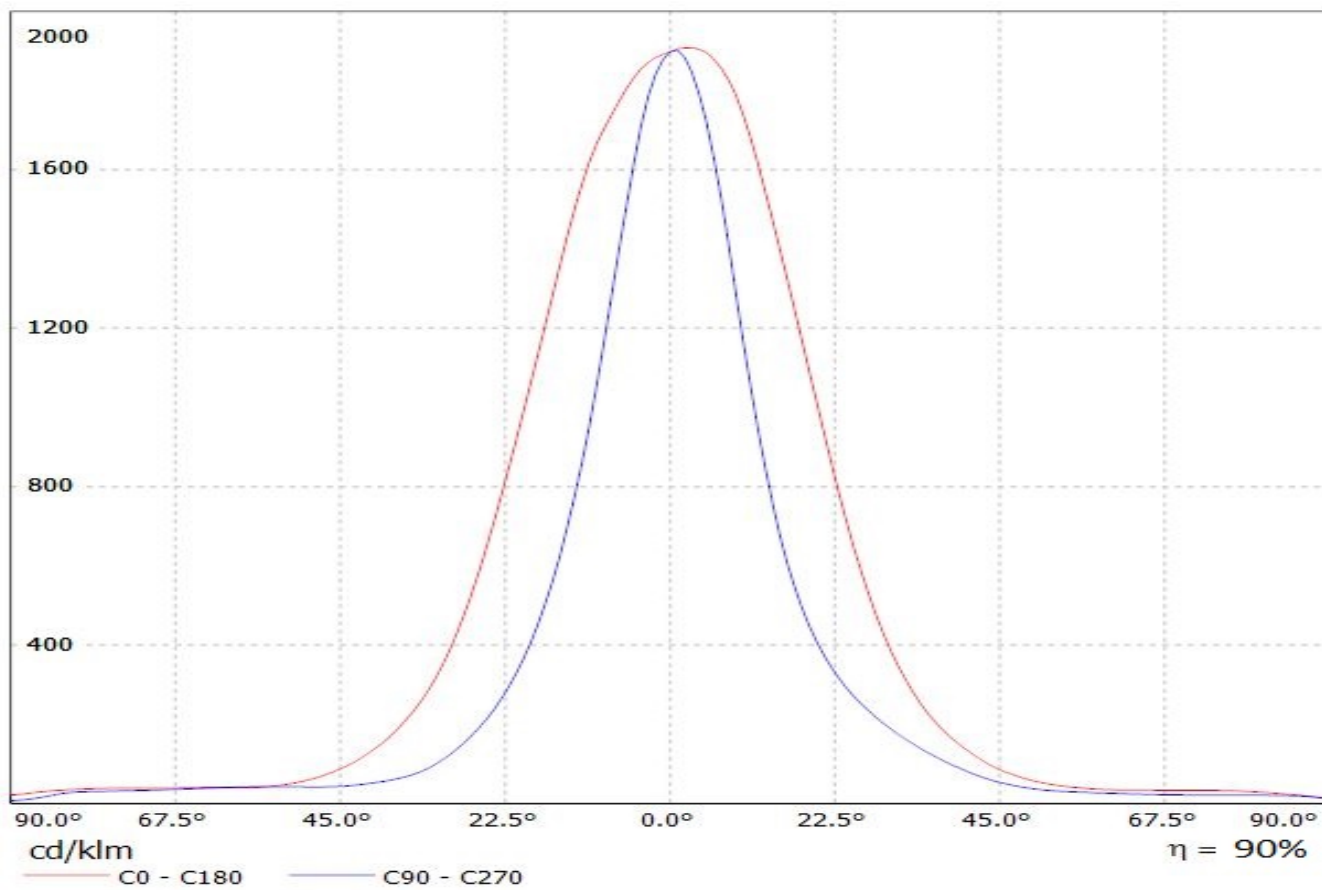
Luminaire: LEDiL Oy  
Lamps: 1 x CA14602\_VERONICA-SQ-MINI-O\_(REBEL-ES)



Luminaire: Ledil Oy CA14602\_VERONICA-SQ-MINI-O\_(Luxeon\_Z\_ES)\_SIMULATED  
Lamps: 1 x Lumileds Luxeon Z ES



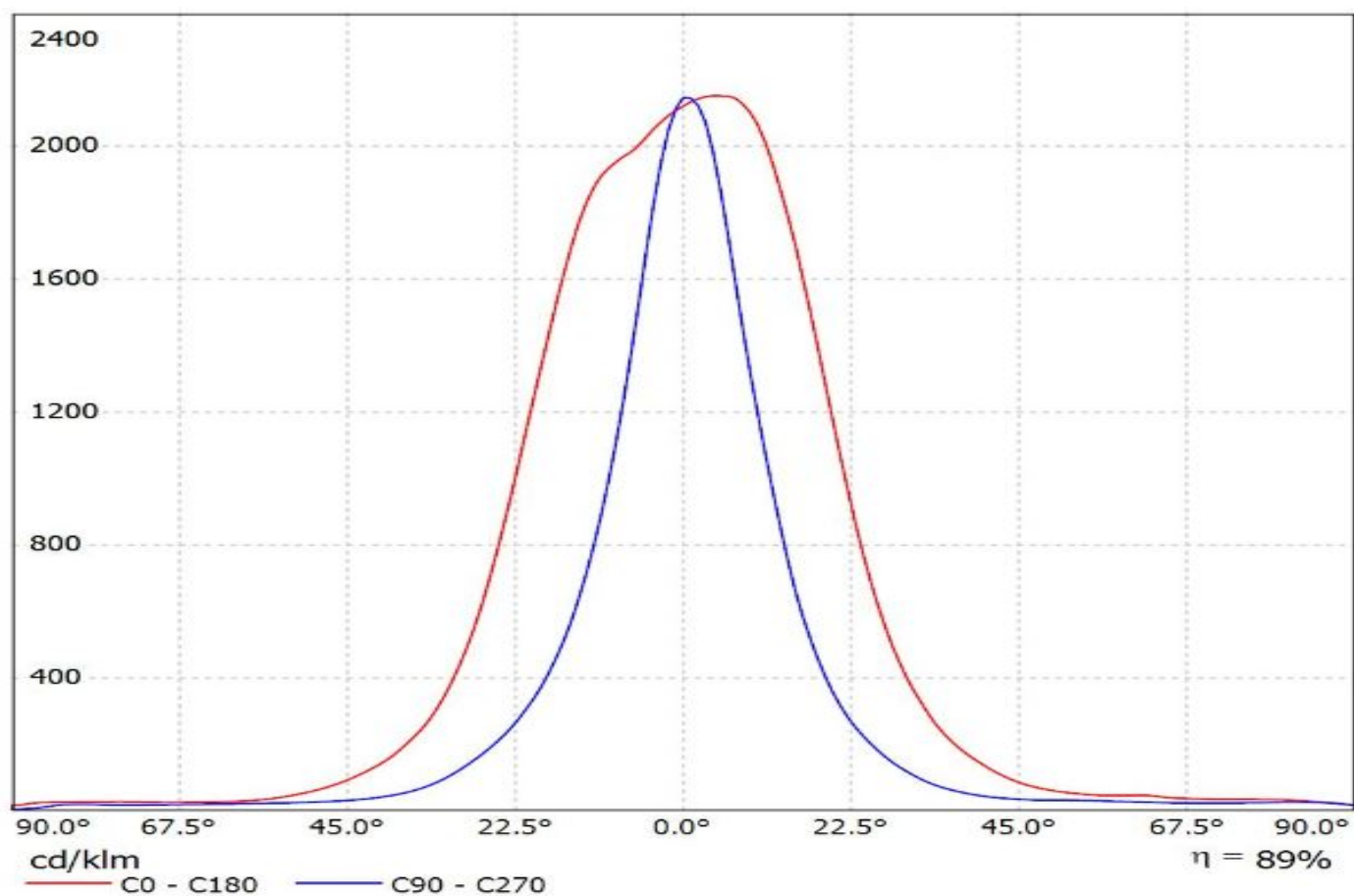
Luminaire: LEDiL Oy CA14602 VERONICA-SQ-MINI-O\_(NVSL219CE)  
Lamps: 1 x Nichia\_NVSL219CE\_101.052lm@250mA\_P=0.713154W\_I=0.25A



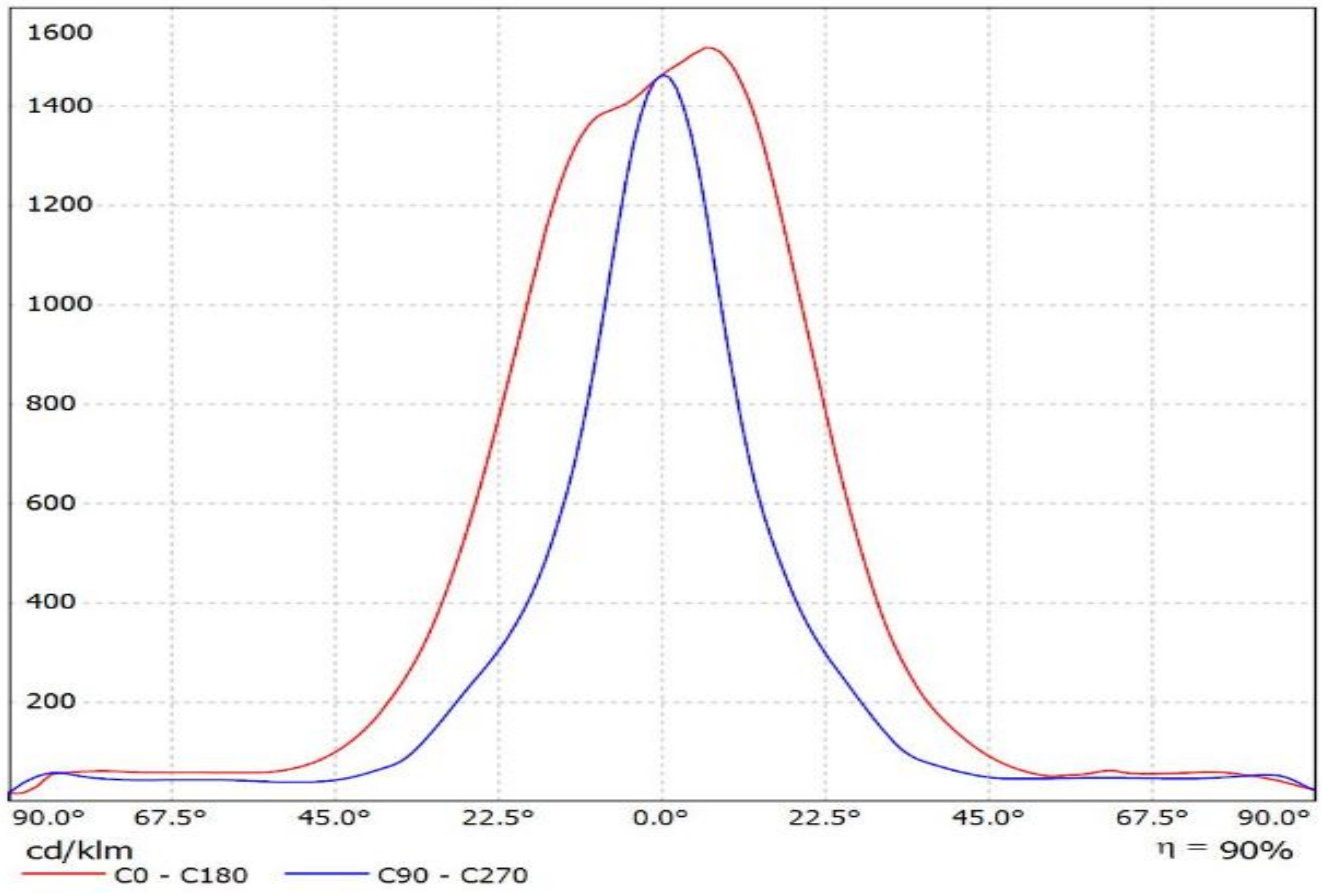


Luminaire: Ledil CA14602\_VERONICA-SQ-MINI-O\_(Oslon\_Square)

Lamps: 1 x Osram\_Oslon\_Square\_(GWCSSRM1.3M)\_72.2595lm@250mA\_P=0.7303W\_I=0.25A

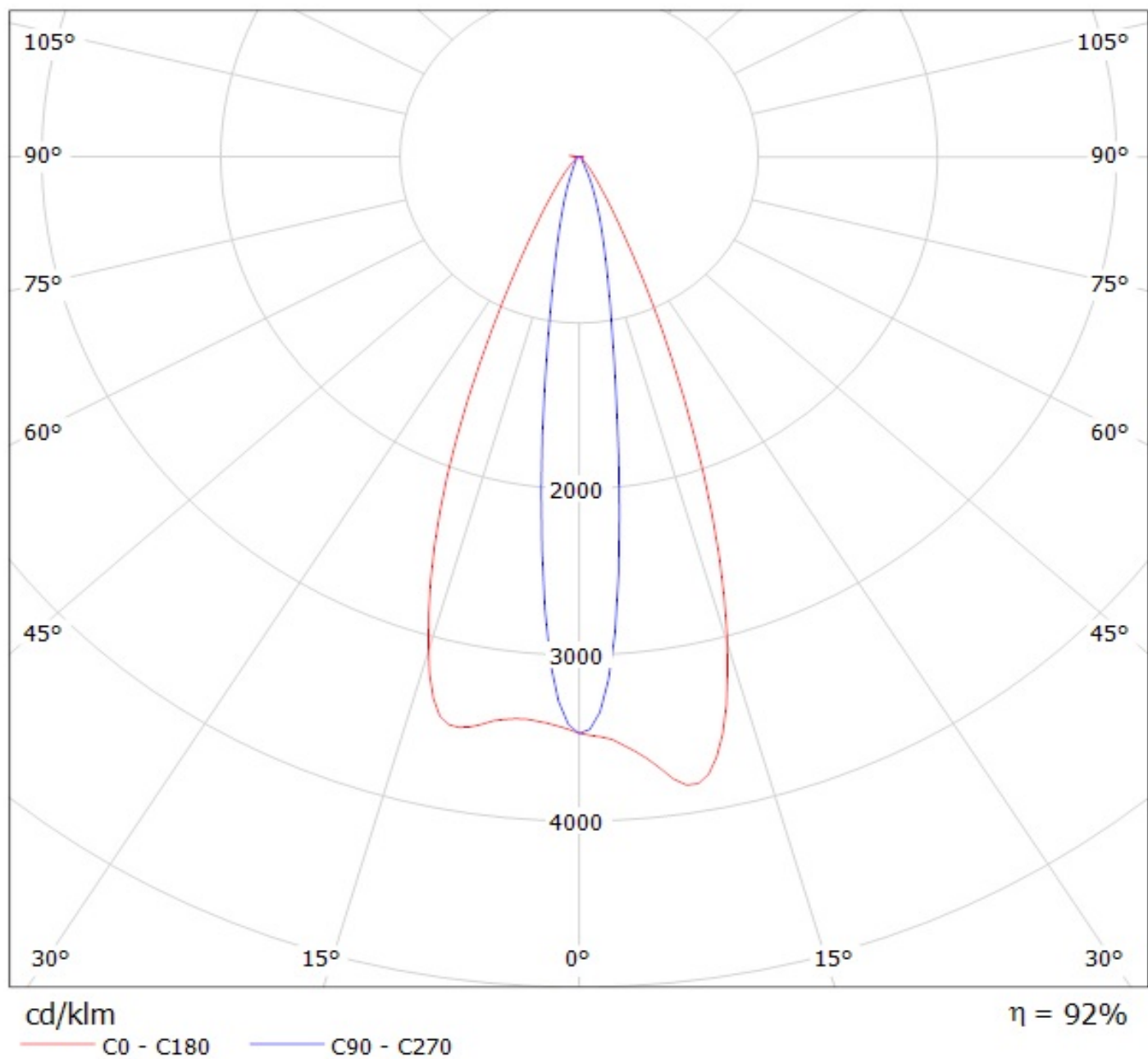


Luminaire: LEDiL Oy CA14602\_VERONICA-SQ-MINI-O\_(Z8Y22plus)  
Lamps: 1 x Seoul\_Z8Y22plus\_(W6E2G)\_125.652lm@250mA\_P=0.69312W\_I=0.250A



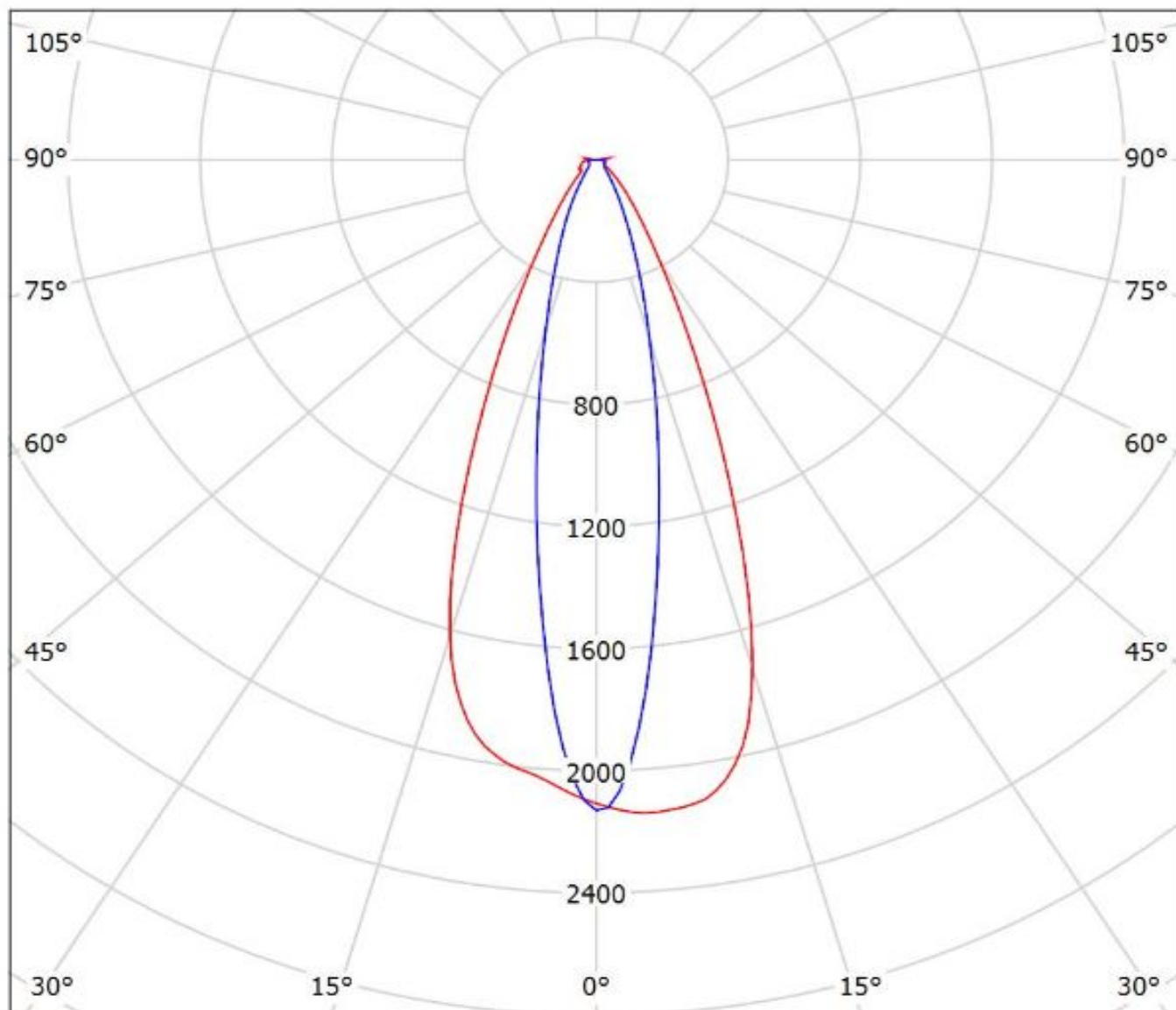
Luminaire: LEDiL Oy CA14602\_VERONICA-SQ-MINI-O\_(XP-E2)\_Cav12

Lamps: 1 x Cree\_XP-E2\_(XPEBWT-L1-7B4-Q4-0-01)\_79.3679lm@250mA\_P=0.752749W\_I=0.2499A



Luminaire: Ledil CA14602-Veronica-SQ-Mini-O\_(REBEL)

Lamps: 1 x Luxeon\_Rebel\_(LXM8-PW30)\_62.4512lm@250mA\_P=0.7303W\_I=0.25A



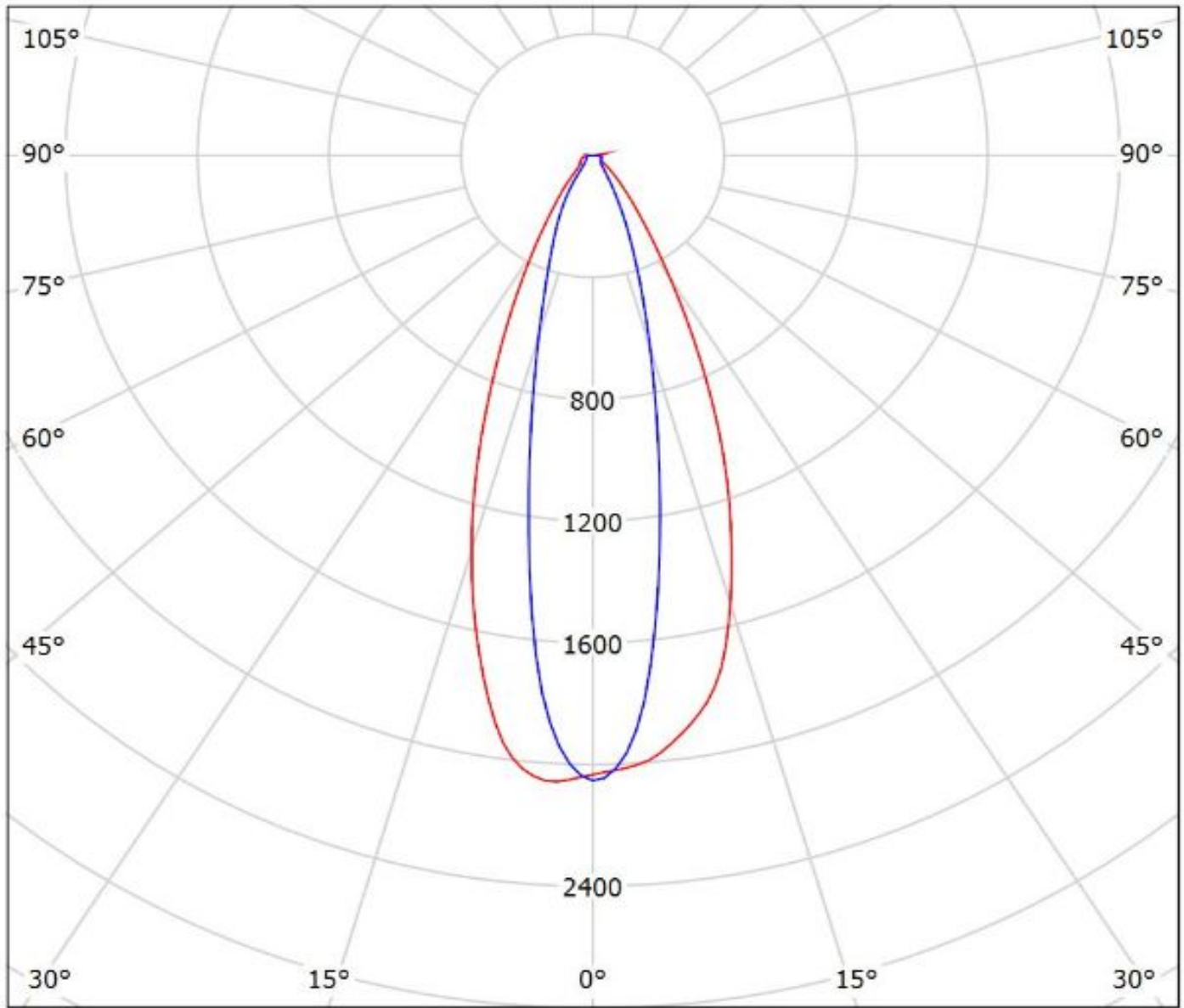
cd/klm

— C0 - C180 — C90 - C270

$\eta = 90\%$

Luminaire: Ledil CA14602\_VERONICA-SQ-MINI-O\_(Luxeon\_TX)

Lamps: 1 x Luxeon\_TX\_(L1T2-3585)\_83.3743lm@250mA\_P=0.7475W\_I=0.25A



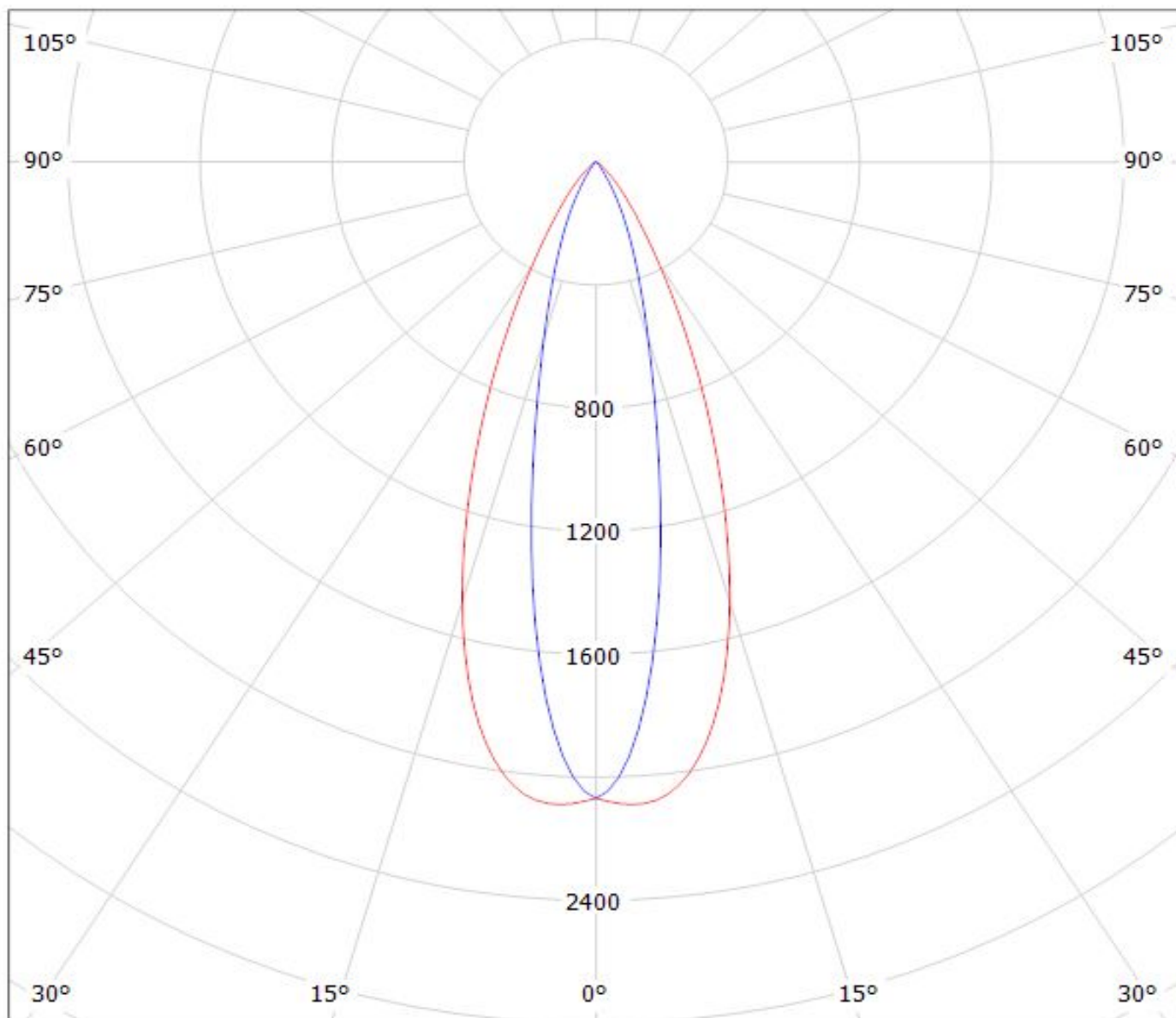
cd/klm

— C0 - C180 — C90 - C270

$\eta = 90\%$

Luminaire: LEDiL Oy

Lamps: 1 x CA14602\_VERONICA-SQ-MINI-O\_(REBEL-ES)



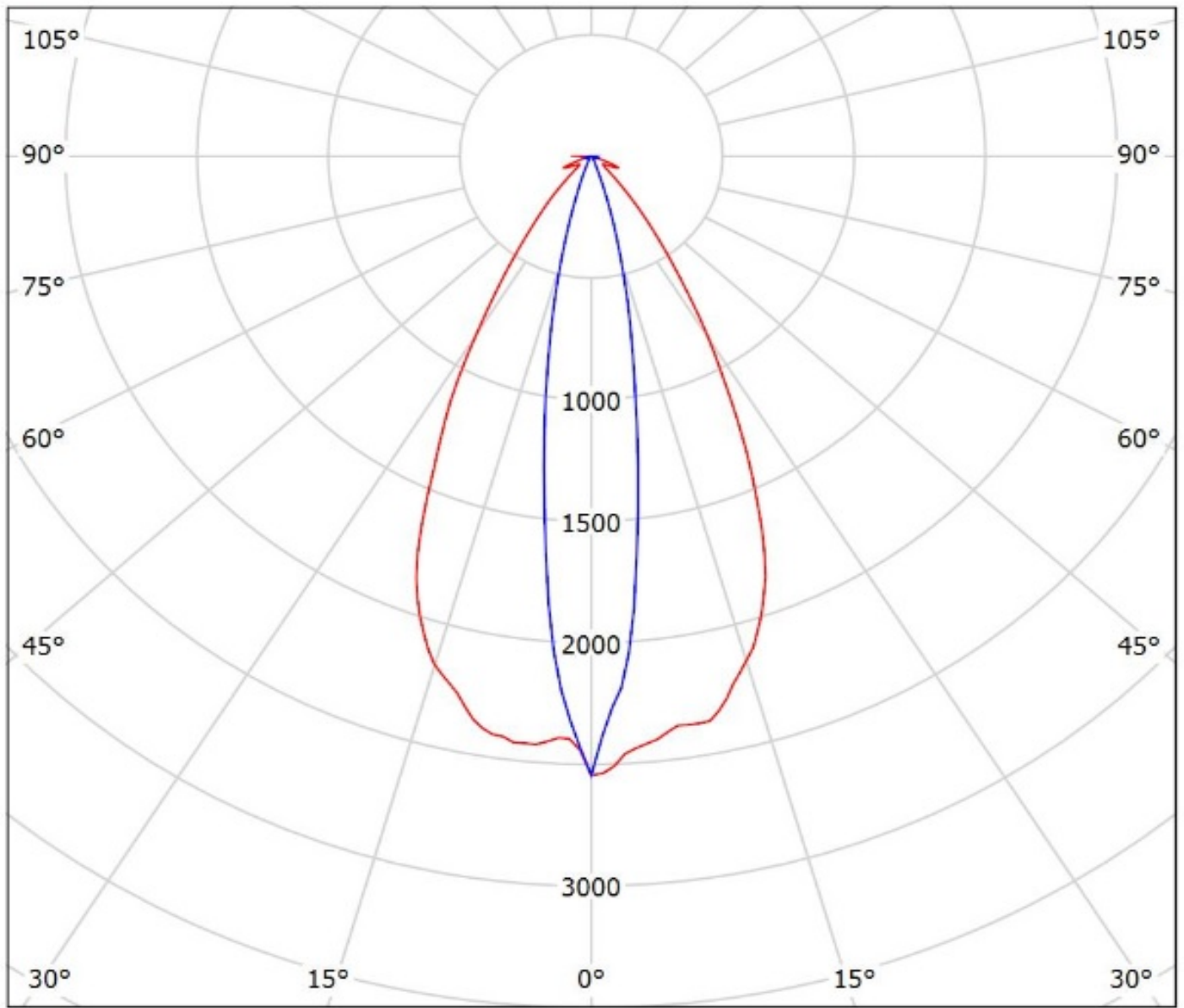
cd/klm

— C0 - C180

— C90 - C270

$\eta = 74\%$

Luminaire: Ledil Oy CA14602\_VERONICA-SQ-MINI-O\_(Luxeon\_Z\_ES)\_SIMULATED  
Lamps: 1 x Lumileds Luxeon Z ES



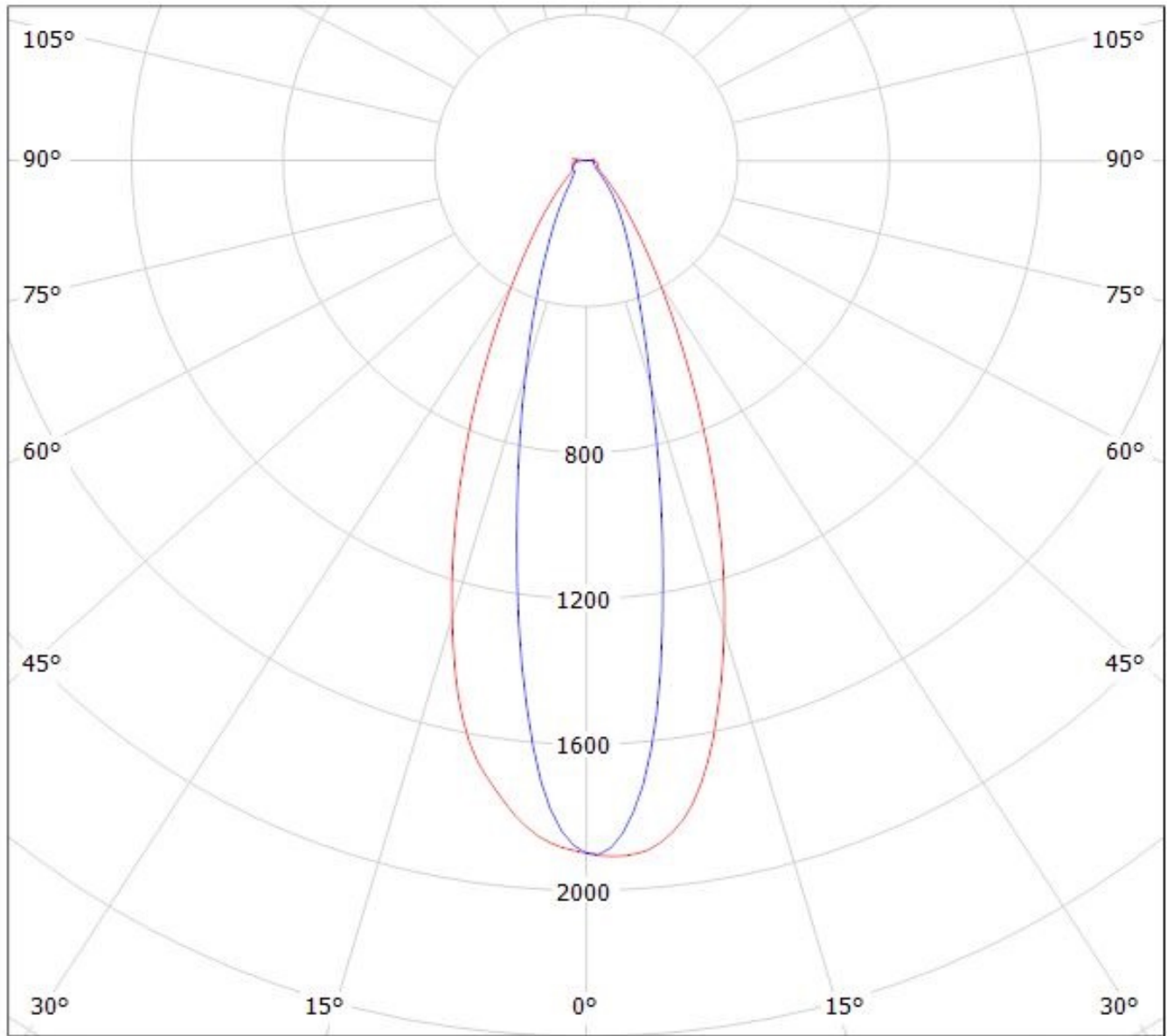
cd/klm

— C0 - C180 — C90 - C270

$\eta = 92\%$

Luminaire: LEDiL Oy CA14602\_VERONICA-SQ-MINI-O\_(NVSL219CE)

Lamps: 1 x Nichia\_NVSL219CE\_101.052lm@250mA\_P=0.713154W\_I=0.25A



cd/klm

$\eta = 90\%$

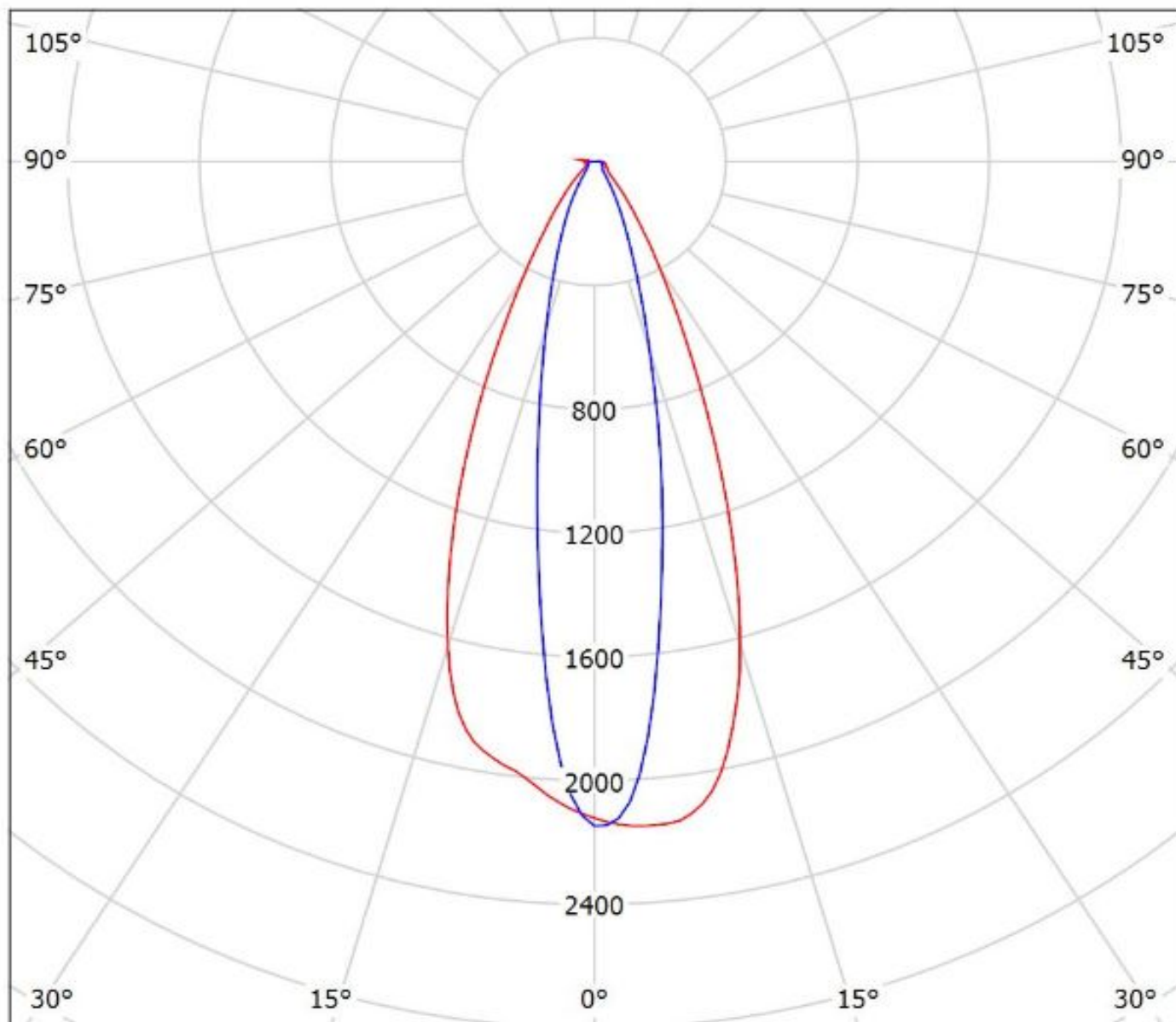
— C0 - C180

— C90 - C270



Luminaire: Ledil CA14602\_VERONICA-SQ-MINI-O\_(Oslon\_Square)

Lamps: 1 x Osram\_Oslon\_Square\_(GWCSSRM1.3M)\_72.2595lm@250mA\_P=0.7303W\_I=0.25A



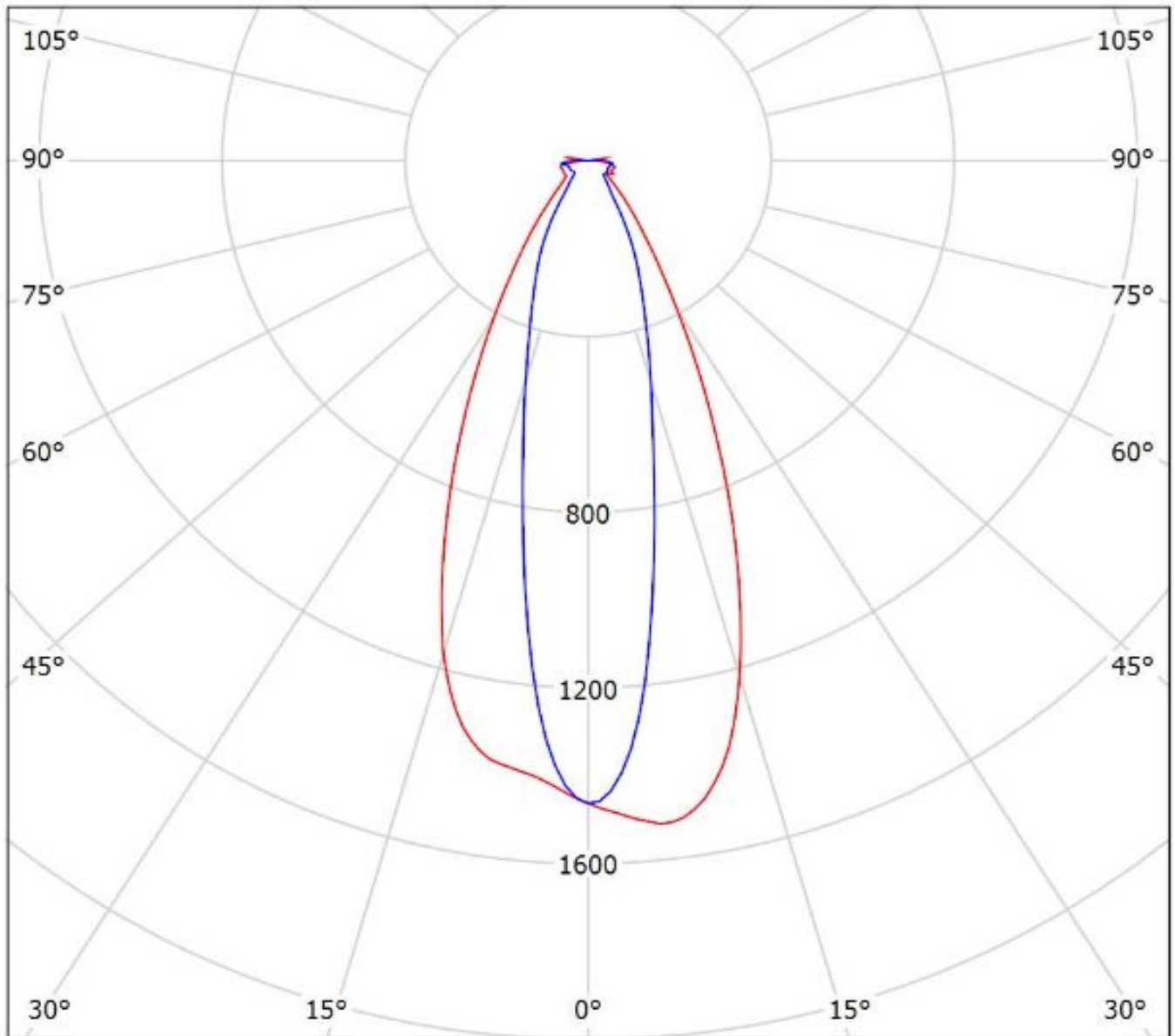
cd/klm

— C0 - C180 — C90 - C270

$\eta = 89\%$

Luminaire: LEDiL Oy CA14602\_VERONICA-SQ-MINI-O\_(Z8Y22plus)

Lamps: 1 x Seoul\_Z8Y22plus\_(W6E2G)\_125.652lm@250mA\_P=0.69312W\_I=0.250A



cd/klm

— C0 - C180 — C90 - C270

$\eta = 90\%$

**NOTE: The typical divergence will be changed by different color, chip size and chip position tolerance. The typical total divergence is the full angle measured where the luminous intensity is half of the peak value.**