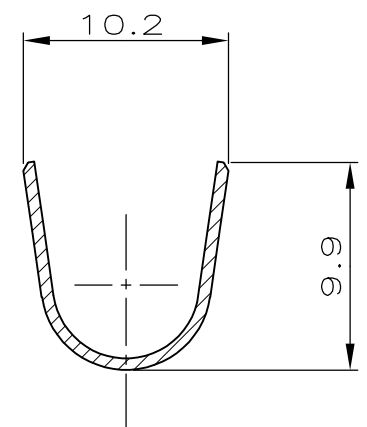
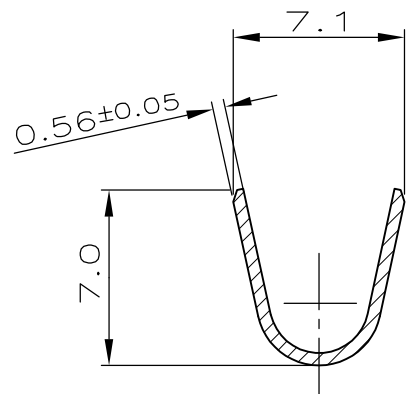


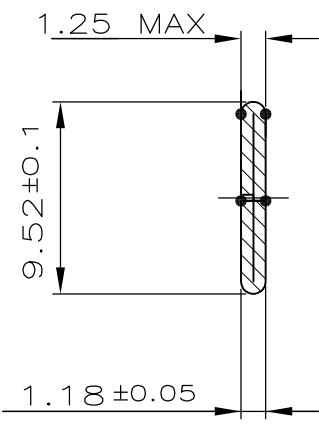
SEZIONE C-C
 (SECTION C-C)



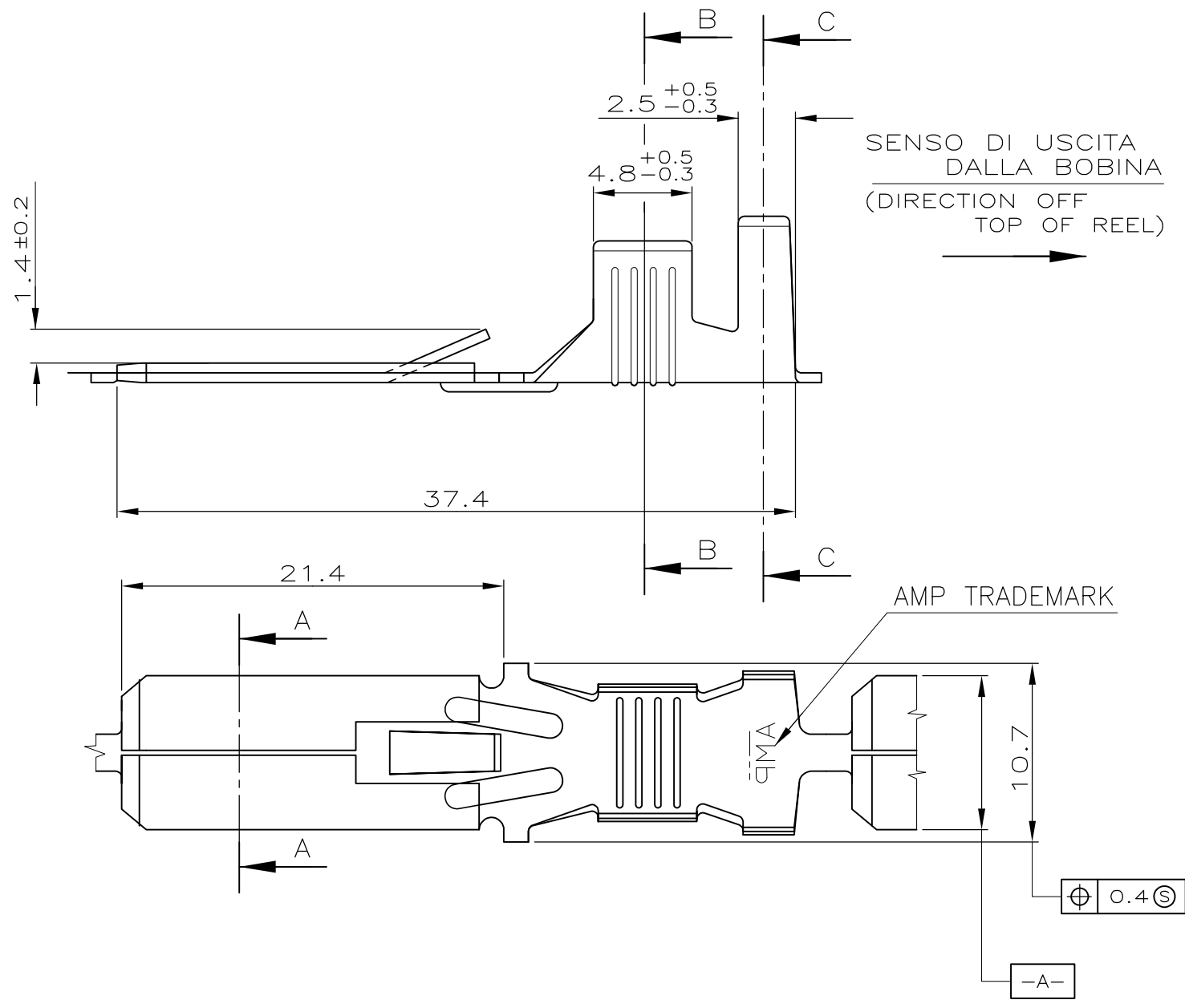
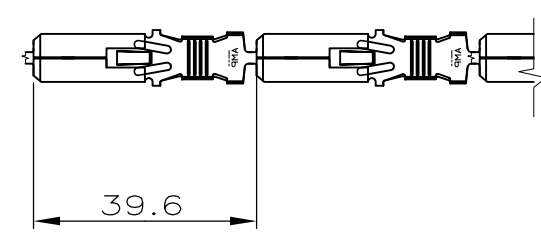
SEZIONE B-B
 (SECTION B-B)



SEZIONE A-A
 (SECTION A-A)



STATO DI FORNITURA -SCALA 1:1
 (SUPPLYING CONDITION -SCALE 1:1-)



PRE STAGNATO (PRE-TIN PL)	OTTONE (BRASS)	280074-2	N
NUDO (UNPLATED)	OTTONE (BRASS)	280074-1	M
FINITURA / COLORE (FINISH / COLOUR)	MATERIALE (MATERIAL)	NUMERO (P/N)	REV

2 OBSOLETE

CUSTOMER DWG. FOR REFERENCE ONLY DISEGNO PER CLIENTE SOLO PER RIFERIMENTO

THIS DRAWING IS UNPUBLISHED RELEASE FOR PUBLICATION 19

© COPYRIGHT 19 BY AMP INCORPORATED, HARRISBURG, PA. ALL INTERNATIONAL RIGHT RESERVED. AMP PRODUCTS MAY BE COVERED BY U.S. AND FOREIGN PATENT AND/OR PATENT PENDING

N1	REV PER ECO-09-021826	KK AEG	03SEP 09	TOLLERANZE: SE NON DIVERSAMENTE SPECIFICATO	DIAM. ISOLANTE (INS. DIA. RANGE)	RANGO FILO (WIRE RANGE)	SCALA (SCALE)	
N	REVISED, ET00-0152-01	H.Y	22 APR 2002	(TOLERANCES: UNLESS OTHERWISE SPECIFIED)	5.0-7.0 mm	6-10 mm ²	-	
M1	REVISED, ET00-0126-01	R.F	15 MAY 2001	± 0.3	AMP AMP ITALIA S.p.A. Corso F.lli Cervi, 15 COLLEGNO (TORINO)			
M	REVISED PER ET00-0289-99	R.F	08-10 '99	ANGOLI (ANGLES) ± 2°				
L	REVISED PER ET00-0319-97	A.F	05-9 '97	DIS. 07 AUG 97 (DR.) A. FROLA	DESCRIZIONE (DESCRIPTION) FASTIN-FASTON Connector, .375"sr TAB TERMINAL			
F	REVISED PER ET00-0240-96	A.F	13-5 '96	CONT. 08 AUG 97 (CHK) G. TURCO	LOC. SIZE	NUMERO (DWG NO)	REV.	FOLGIO (SHEET) DI (OF)
E	REVISED	E.B	15-13-5 '88		A3	C-280074	N1	1 (OF) 1
D	ADDED ...-3 AND ...-4	M.M	08-82	APP. (APP.)				
REV. (REV.)	REVISIONI (REVISION RECORD)	DIS. DATA (DR) (DATE)						

- 1) REELED ON 12" DIA. CARTON REEL WITH INTERLEAVE PAPER.
- 2** OBSOLETE PARTS: OBSOLETE CIS STREAMLINING PER D.RENAUD/D.SINISI

DISTRIBUZIONE (PRINT DIST.)