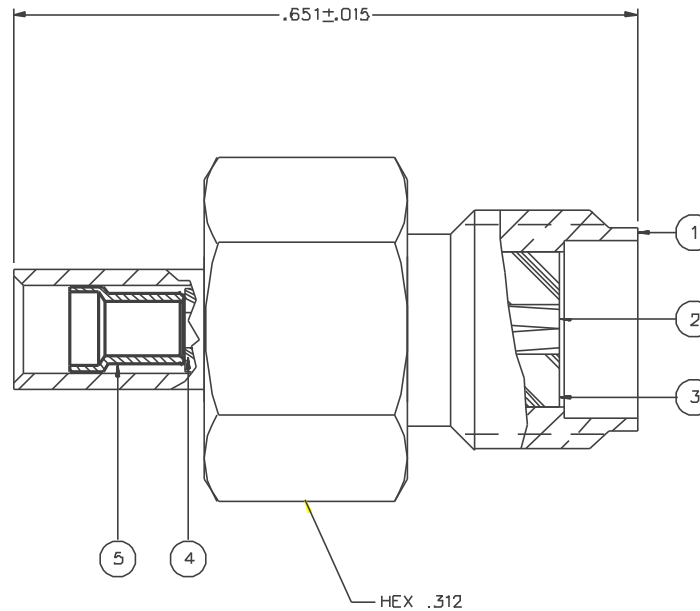


PART NUMBER	ITEM ① BCDY	ITEM ② CONTACT	ITEM ③ INSULATOR	ITEM ④ INSULATOR	ITEM ⑤ CRIMP INSERT
142-0302-011	BRASS GOLD PL .00001 MIN OVER NICKEL PL .00005 MIN OVER COPPER PL .00005 MIN	BERYLLIUM COPPER GOLD PL .00005 MIN OVER NICKEL PL .00005 MIN OVER COPPER PL .00005 MIN	TEFLON	TEFLON	COPPER GOLD PL .00001 MIN OVER NICKEL PL .00005 MIN OVER COPPER PL .00005 MIN
142-0302-016	BRASS NICKEL PL .0001 MIN OVER COPPER PL .00005 MIN	BERYLLIUM COPPER GOLD PL .00005 MIN OVER NICKEL PL .00005 MIN OVER COPPER PL .00005 MIN	TEFLON	TEFLON	COPPER NICKEL PL .0001 MIN OVER COPPER PL .00005 MIN

DRAWING NO. C - 142-0302-011/020			
0 REVISIONS			
ENGINEERING RELEASE			
1	9-1-97	R H K B	9-4-97 ECN 44889
CHANGED: STRIP DIMENSIONS .261-.010 & .095-.010 WERE .249-.010 & .086-.010			
* REVISION NUMBER FOLLOWED BY AN ALPHA * * CHARACTER INDICATES DRAWING CLASS * * CATION OR PART NUMBER ADDITION ONLY *			
1a	10-15-97	R H K B	ECN 45065



NOTES:

1. SPECIFICATIONS:

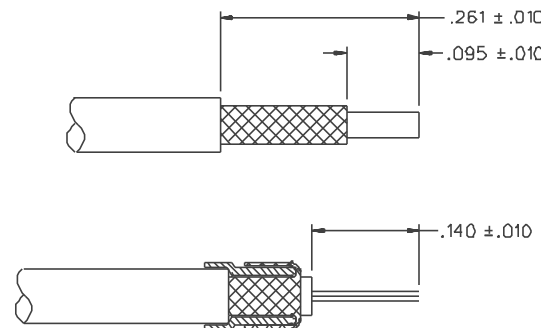
IMPEDANCE: 50 OHMS  
 FREQUENCY RANGE: D-12.4 GHz  
 VSWR: 1.20-.025 F MAX (F IN GHz)  
 WORKING VOLTAGE: 170 VRMS MAX AT SEA LEVEL  
 DIELECTRIC WITHSTANDING VOLTAGE: 500 VRMS MIN AT SEA LEVEL  
 INSULATION RESISTANCE: 5000 MEGOHM MIN  
 CONTACT RESISTANCE:  
 CENTER CONTACT - INITIAL 3.0 MILLIOHM MAX, AFTER ENVIRONMENTAL 4.0 MILLIOHM MAX  
 OUTER CONDUCTOR - INITIAL 2.0 MILLIOHM MAX AFTER ENVIRONMENTAL NOT APPLICABLE  
 BODY TO CABLE - 0.5 MILLIOHM MAX (GOLD PLATED) 5.0 MILLIOHM MAX (NICKEL PLATED)  
 CORONA LEVEL: 125 VOLTS MIN AT 70.000 FEET  
 INSERTION LOSS: .06√ F MAX (F IN GHz) AT 6 GHz  
 RF LEAKAGE: -80 DB MIN AT 2 TO 3 GHz  
 RF HIGH POTENTIAL WITHSTANDING VOLTAGE: 335 VRMS MIN AT 5 TO 7.5 MHz

MECHANICAL:

ENGAGE/DISENGAGE TORQUE: 2 INCH-POUNDS MAX  
 MATING TORQUE: 7-10 INCH POUNDS  
 COUPLING PROOF TORQUE: NOT APPLICABLE  
 COUPLING NUT RETENTION: NOT APPLICABLE  
 CONTACT RETENTION: 6 LBS MIN AXIAL FORCE  
 CABLE ACCEPTABILITY: RG-178/U, RG-196/U  
 CABLE HEX CRIMP SIZE: .105  
 CONTACT CRIMP TOOL: MIL M22520/1-01  
 CABLE RETENTION: 10 LBS MIN AXIAL FORCE  
 DURABILITY: 500 CYCLES MIN

ENVIRONMENTAL:

(MEETS OR EXCEEDS THE APPLICABLE PARAGRAPH OF MIL-C-39012)  
 THERMAL SHOCK: MIL-STD-202, METHOD 107, CONDITION B, EXCEPT 85° C HIGH TEMP  
 OPERATING TEMPERATURE: -65 DEG C TO 165 DEG C  
 CORROSION: MIL-STD-202, METHOD 101, CONDITION B  
 SHOCK: MIL-STD-202, METHOD 213, CONDITION I  
 VIBRATION: MIL-STD-202, METHOD 204, CONDITION D  
 MOISTURE RESISTANCE: MIL-STD-202, METHOD 106



CABLE STRIP DIMENSIONS


8:1

CUSTOMER DRAWING

THIS DRAWING TO BE INTERPRETED PER ANSI Y 14.5M - 1982

"μSTATION"

COMPANY CONFIDENTIAL

TOLERANCE UNLESS OTHERWISE SPECIFIED		DRAWN BY TAK	DATE 6-26-97	 Cinch Connectivity Solutions 299 Johnson Ave. Ste. 100 Waukegan, MN 55093 1-800-247-8256
DECIMALS .XX	mm	CHECKED BY	DATE	
.XXX REF		APPROVED BY TAK	DATE 9-2-97	TITLE JACK ASSEMBLY, STRAIGHT CABLED SMA, RG 178
MATL		APPROVED BY RJB	DATE 9-3-97	CODE NO.
FINISH		RELEASE DATE	9-4-97	DRAWING NO. C - 142-0302-011/020
				SCALE 10:1   U/M INCH   SHEET 2 OF 2