

1

2

3

4

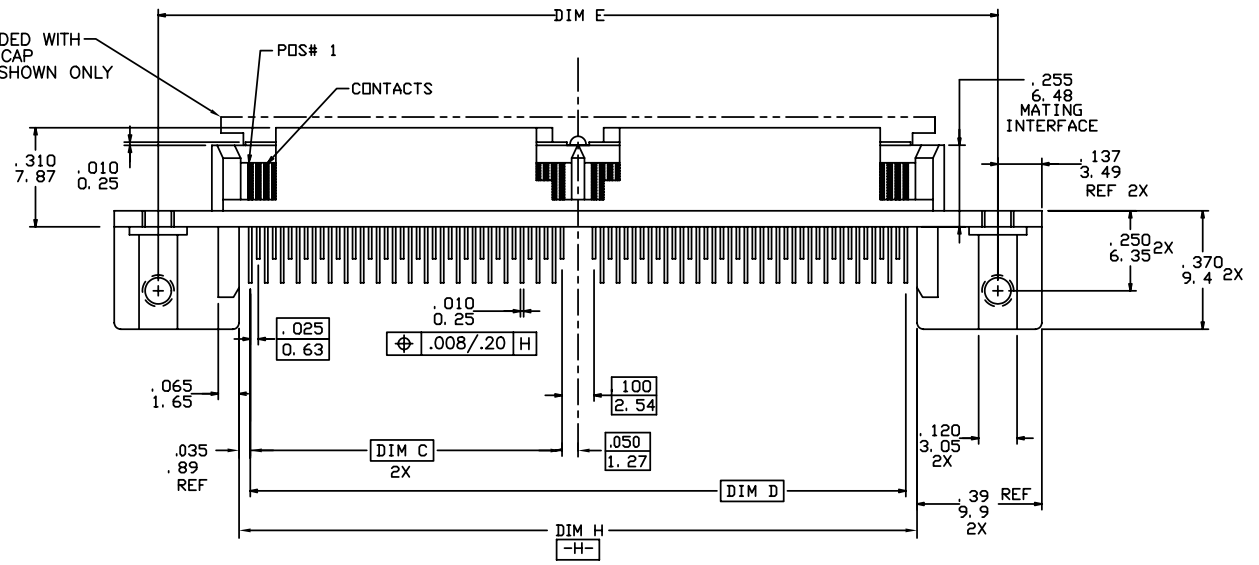
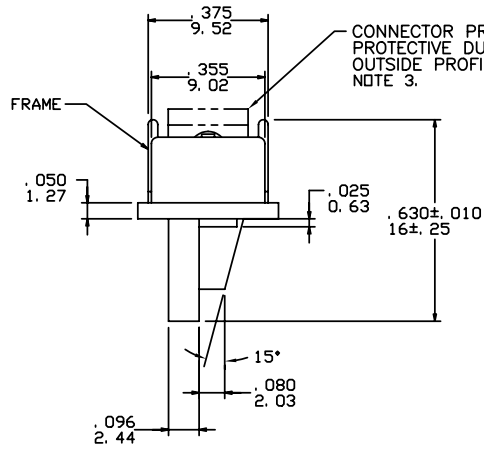
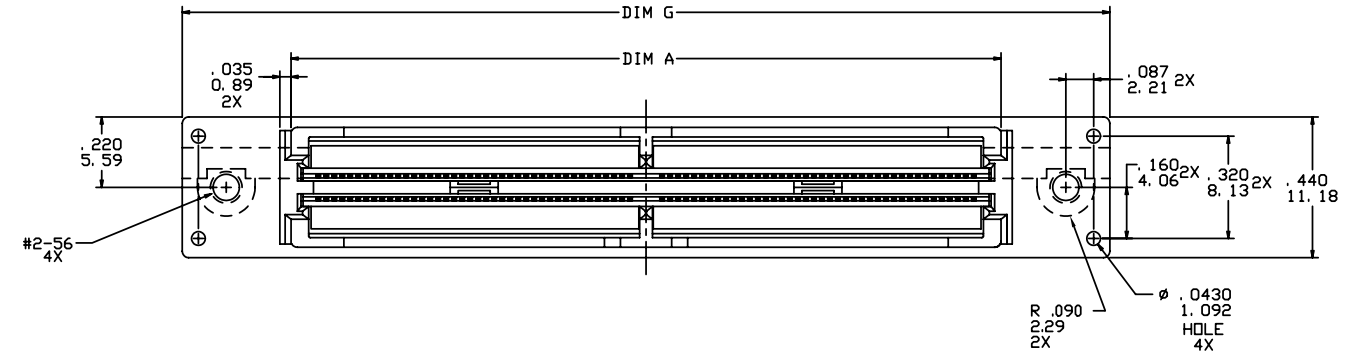
PRODUCT NUMBER  
SEE TABLE

A

B

C

D



Copyright FCI.

www.fciconnect.com		surface ISO 1302	tolerance std ISO 406	projection	INCH/MM
		TOLERANCES UNLESS OTHERWISE SPECIFIED			
Dr	L.POTTEIGER	2/17/92	ANGULAR	size A4	Scale 1.000
Eng	T.LEMKE	2/17/92	LINEAR	ECN	N10-0427
Chr	T.LEMKE	2/17/92	0° ±2°	Spec ref	
Appr	T.LEMKE	2/17/92	Product family	Micropax	
		title .025M STRADDLE PLUG		dwg no 91895	Rev. J
		DOUBLE MODULE		CUSTOMER	sheet 1 of 2
		catalog no			

rev	ecn no	dr	date
C	V40224	MRC	1/10/94
D	V60691	LSS	4/23/96
E	V60749	EPK	6/17/96
F	V12115	MEM	10/9/01
G	M06-0363	MHT	9/18/03
H	M08-0251	MHT	8/09/08
J	N10-0427	KW	2011-03-17

REV F - 2006-04-17

1

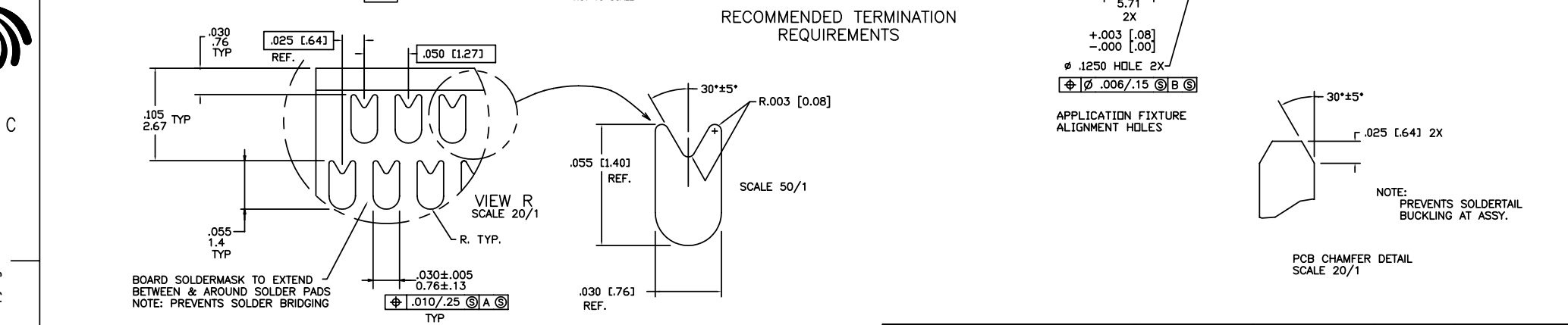
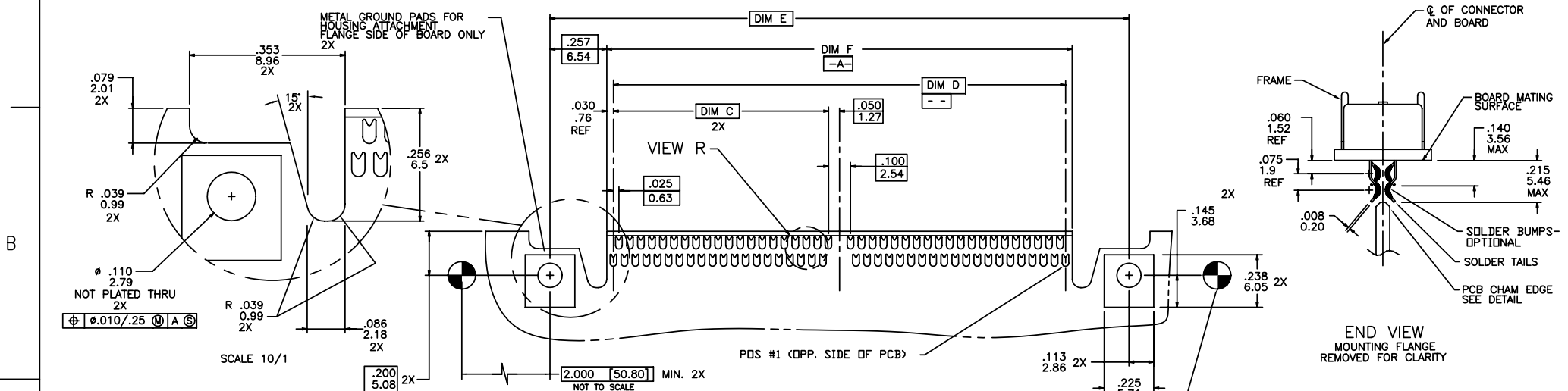
2

3 PDM: Rev:J

STATUS Released

4 Printed: Apr 18, 2011

PRODUCT NUMBER NOTE 4	NO. OF CONTACTS	DIM A	DIM C	DIM D	DIM E	DIM F	DIM G	DIM H	BOARD THICKNESS	DIM J	DIM K	SOLDERBUMP	CONTACT PLATING NOTE 2.	
91895-001	160	2.220/56.39	.975/24.76	2.050/52.07	2.625/66.68	2.110/53.59	2.900/73.66	2.120/53.85	.062/1.58	.140/3.56MAX.	.215/5.46MAX.	NO	30 GXT	OBSOLETE
91895-101												YES		
91895-003	200	2.720/69.09	1.225/31.12	2.550/64.77	3.125/79.38	2.610/66.29	3.400/86.36	2.620/66.55	.062/1.58	.140/3.56MAX.	.215/5.46MAX.	NO	30 GXT	OBSOLETE
91895-103												YES		
91895-203	200	2.720/69.09	1.225/31.12	2.550/64.77	3.125/79.38	2.610/66.29	3.400/86.36	2.620/66.55	.062/1.58	.112/2.84MAX.	.187/4.75MAX.	NO	30 GXT	OBSOLETE
91895-303												YES		



- NOTES:
- MATERIALS:  
DIELECTRIC: LCP  
CONTACTS: PHOS. BRZ.  
FRAME: ZINC ALLOY #3
  - PLATING:  
SOLDER TAILS: 150u"/3.81um Sn Pb  
FRAME: 100u"/2.54um Ni  
CONTACT: 30u"/0.76um GXT OVER 50u"/1.27um Ni  
LEAD FREE OPTION:  
SOLDER TAILS: 150u"/3.81um Sn  
FRAME: 100u"/2.54um Ni  
CONTACT: 30u"/0.76um GXT OVER 50u"/1.27um Ni
  - DO NOT REMOVE PROCESSING CAP UNTIL SOLDERING IS COMPLETED.
  - ADD "LF" SUFFIX AT THE END OF PART NUMBER FOR LEAD FREE OPTION.
  - THE HOUSING WILL WITHSTAND EXPOSURE TO 260°C PEAK TEMPERATURE FOR 20 SECONDS IN A CONVECTION, INFRA-RED OR VAPOR PHASE REFLOW OVEN.
  - THIS PRODUCT MEETS EUROPEAN UNION DIRECTIVES AND OTHER COUNTRY REGULATION AS DECREIBED IN GS-22-008.
  - SEE BUS-20-084 (SET-UP APPLICATION SPEC.) FOR REFERENCE.

www.fciconnect.com		surface ISO 1302	tolerance std ISO 406	projection INCH/MM
		TOLERANCES UNLESS OTHERWISE SPECIFIED		
Dr	L.POTTEIGER	2/17/92	ANGULAR	size A4
Eng	T.LEMKE	2/17/92	LINEAR	Scale 1.000
Chr	T.LEMKE	2/17/92	0° ±2°	ECN N10-0427
Appr	T.LEMKE	2/17/92	Product family	Spec ref
title .025M STRADDLE PLUG		dwg no 91895		Rev. J
catalog no		CUSTOMER		sheet 2 of 2

Copyright FCI