

List of Recommended Alternative Products for the LDQ Series

Sale of the LDQ Series will be discontinued from February 28, 2011.

When ordering, specify a BK-LDQ2-series Bracket that can mount four Light Units, and the compatible LDL2-series Light Unit.

June 2011

Discontinued Products: LDQ Series				Recommended Replacement Products: Brackets: BK-LDQ2 Series, Compatible lighting: LDL2 Series				
Direct Number	Model Name	Power Consumption	Dimension	Direct Number	Model Name	Power Consumption	Dimension	
1001053	LDQ-60-25	12 V/1.2 W	1	→	The LDQ-60-25 Series will continue to be sold as special-order products.			
1001056	LDQ-60-25-SW	24 V/1.6 W						
1001054	LDQ-60-25-BL							
1001055	LDQ-60-25-GR							
1001059	LDQ-78	12 V/4.8 W	2	→	4001027	BK-LDQ2-33X8	-	A
1001062	LDQ-78-SW	24 V/5.8 W			1004646	LDL2-33X8RD	24 V/1.3 W	
1001060	LDQ-78-BL				1004647	LDL2-33X8SW	24 V/0.8 W	
1001061	LDQ-78-GR				1004648	LDL2-33X8BL		
					1004649	LDL2-33X8GR		
1001008	LDQ-100A	12 V/6.0 W	3	→	4000985	BK-LDQ2-41X16	-	B
1001011	LDQ-100A-SW	24 V/8.2 W			1003702	LDL2-41X16RD	24 V/1.9 W	
1001009	LDQ-100A-BL				1003705	LDL2-41X16SW		
1001010	LDQ-100A-GR				1003704	LDL2-41X16BL		
					1003703	LDL2-41X16GR		
1001027	LDQ-150A	12 V/12 W	4	→	4000986	BK-LDQ2-80X16	-	C
1001036	LDQ-150A-SW	24 V/16 W			1003710	LDL2-80X16RD	24 V/3.8 W	
1001029	LDQ-150A-BL				1003713	LDL2-80X16SW		
1001031	LDQ-150A-GR				1003712	LDL2-80X16BL		
					1003711	LDL2-80X16GR		
1001042	LDQ-200A	12 V/20 W	5	→	4000989	BK-LDQ2-146X30	-	D
1001045	LDQ-200A-SW	24 V/26 W			1003734	LDL2-146X30RD	24 V/12 W	
1001043	LDQ-200A-BL				1003737	LDL2-146X30SW		
1001044	LDQ-200A-GR				1003736	LDL2-146X30BL		
					1003735	LDL2-146X30GR		
Information				Changes to Lighting Specifications				
* Sale of the LDQ Series will be discontinued from February 28, 2011.				* Higher output compared to previous products was achieved.				
* When ordering, specify a BK-LDQ2-series Bracket that can mount four Light Units, and the compatible LDL2-series Light Unit.				* The input voltage is now 24 V for all colors.				
Note				* Installing the Light Unit is more flexible.				
* Manufacturing of the following optional Diffusion Plates (DF) and Polarizing Plates (PL) will also be discontinued.				The Light Unit can be installed by using the frame structure on the side or holes tapped in the bottom.				
The following products cannot be used with the LDQ2 Series.				* The peak wavelength of the red light is 635 nm (previously 660 nm).				
Diffusion Plates (DF):				For a Sharp-cut Filter, use the optional R60 Sharp-cut Filter.				
DF-LDL-42X15 (Can be used for LDQ-100A.)				* Parameters, such as the power consumption, dimensions, and weight, have changed.				
DF-LDL-82X15 (Can be used for LDQ-150A.)				Changes to Bracket Specifications				
DF-LDL-130X15 (Can be used for LDQ-200A.)				* Specifications, such as the installation method, dimensions, and weight, have changed.				
Polarizing Plates (PL):				Information				
PL-LDQ-78, PL-LDQ-100, PL-LDQ-150, PL-LDQ-200				* Use four compatible Light Units to use a BK-LDQ2-series Bracket.				
				* The price given for the Light Unit is the standard price of one Light Unit.				
				* Specify the number of Brackets and corresponding Light Units separately when ordering.				
				* Use the enclosed mounting screws when installing the Light Units.				
				* The BK-LDQ2-series Brackets are compatible with the entire LDL2 Series. For products not given above, see the reverse side.				
				* Diffusion Plates (DF), Polarizing Plates (PL), Protective Plates (CV), and Brackets (BK) are available as optional products.				
				* There is also a wide type (-WD) that diffuses illumination over a wide range other than the LDL2 Series given above.				
				* Refer to the corresponding product catalog or website for details.				
				* Confirm equipment functionality and conditions when selecting a product for your application.				
				Note				
				* Only wide-type directional characteristics are available for the LDL2-33X8 Series. Also they are not equipped with Protective Plates.				

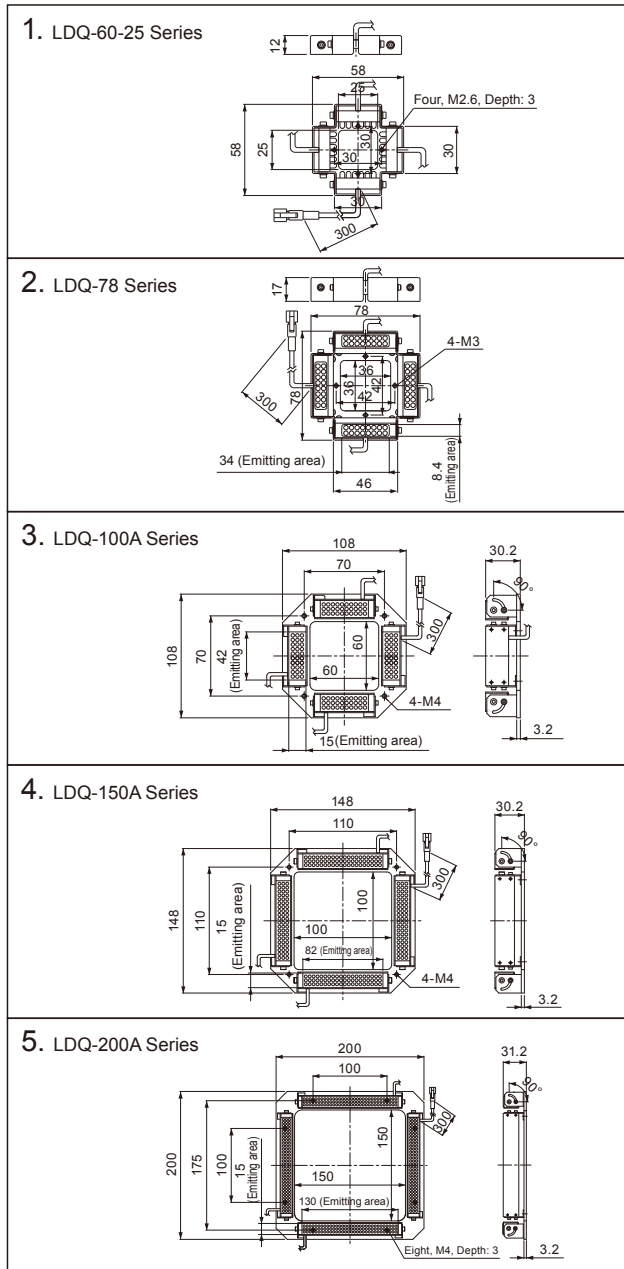
Various documents can be downloaded, including PDF drawings, DXF drawings, and manuals, from the website (Machine Vision Applications). We also offer Light Unit selection and leasing services.

You can easily access information for the desired product by visiting the website and entering the seven-digit number into the direct number input space.

CCS website >>>>> URL:<http://www.ccs-grp.com/>

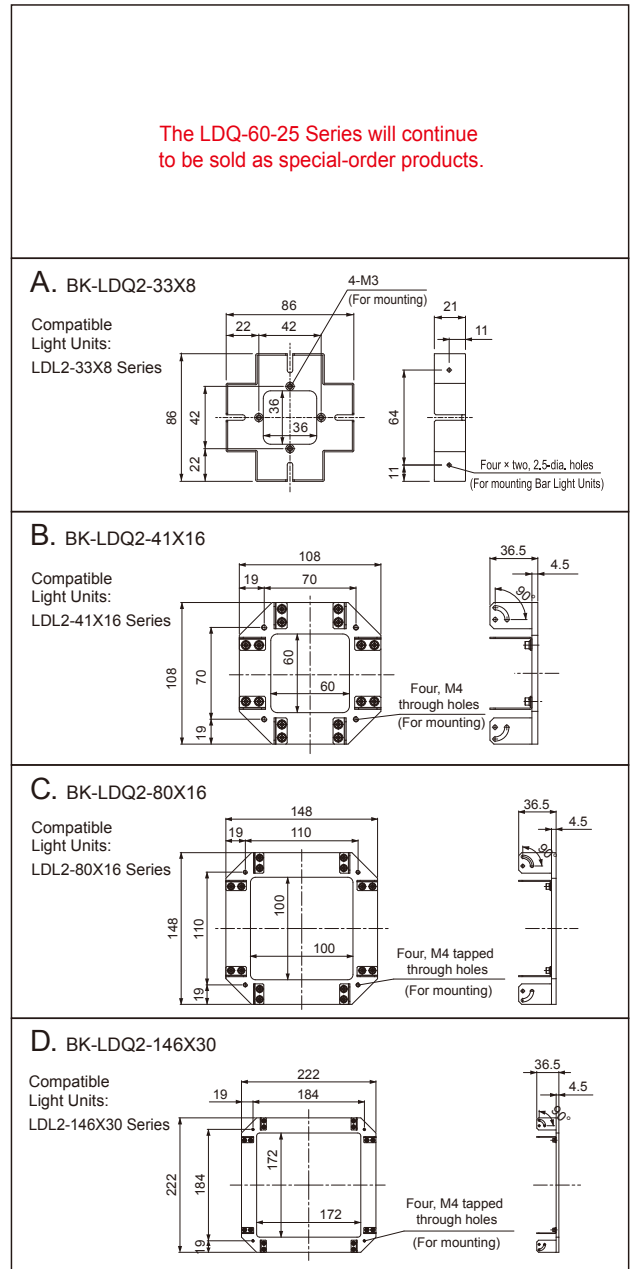
Diagrams Discontinued Products: LDQ Series

(Unit: mm)



Diagrams of Recommended Replacement Products: LDQ2 Series

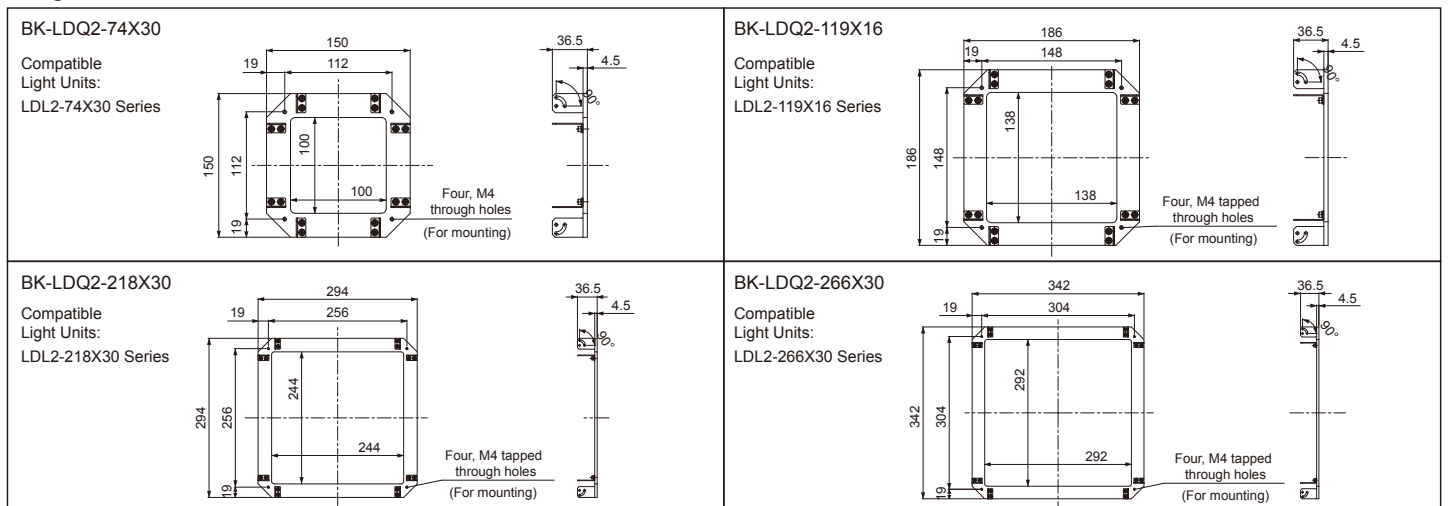
(Unit: mm)



- * Prepare four compatible Light Units to use a BK-LDQ2-series Bracket.
- * Use the enclosed mounting screws when installing the Light Units.
- * For the dimensions of the applicable Light Units, refer to the product catalog or website.

Diagrams of Other BK-LDQ2-series Brackets

(Unit: mm)



CCS Inc.

Headquarters Shimodachiuri-agaru, Karasuma-dori, Kamigyo-ku, Kyoto 602-8011 Japan Phone: +81-75-415-8284 / Fax: +81-75-415-8278
 URL: <http://www.ccs-grp.com> E-mail: intsales@ccs-inc.co.jp