

SUBCON-PLUS M2

Order No.: 2761839

<http://eshop.phoenixcontact.de/phoenix/treeViewClick.do?UID=2761839>

D-SUB connector, 9-pin, with two cable entries, bus system: CAN, SUCONET K1, K2 (MOELLER), SBUS (Saia), J-BUS (Merlin Gerin), pin assignment: 2, 3, 4, 5, 7, 9, version: male

RS-485 *Modbus*

Product notes

WEEE/RoHS-compliant since:
01/25/2007



<http://www.download.phoenixcontact.com>
Please note that the data given here has been taken from the online catalog. For comprehensive information and data, please refer to the user documentation. The General Terms and Conditions of Use apply to Internet downloads.

Commercial data

EAN	4017918131814
Pack	1 pcs.
Customs tariff	85366990
Weight/Piece	0.06195 KG
Catalog page information	Page 554 (IF-2009)

Technical data

General data

Nominal voltage U_N	60 V AC/DC
Nominal current I_N	1 A
Bus system	CAN, SUCONET K1, K2 (Moeller), S-BUS (Saia), J-BUS (Merlin Gerin)

Insertion/withdrawal cycles	> 200
Max. cable diameter	10 mm
Min. cable diameter	6 mm
SUBCON fixing screws	4-40 UNC
Tightening torque	0.4 Nm
Ambient temperature (operation)	-20 °C ... 75 °C
Housing material	ABS, metal-plated
Pin assignment	2,3,4,5,7,9 on two terminal blocks
Width	16 mm
Height	44 mm
Length	60 mm

Connection data

Connection	D-SUB connection
Number of positions	9
Type of connection	D-SUB connector
Tightening torque	0.4 Nm
Connection	PCB connection
Type of connection	Screw connection
Conductor cross section solid min.	0.14 mm ²
Conductor cross section solid max.	1.5 mm ²
Conductor cross section stranded min.	0.14 mm ²
Conductor cross section stranded max.	1 mm ²
Conductor cross section AWG/kcmil min.	26
Conductor cross section AWG/kcmil max	16
Stripping length	5 mm
Tightening torque	0.4 Nm

Certificates / Approvals

Certification

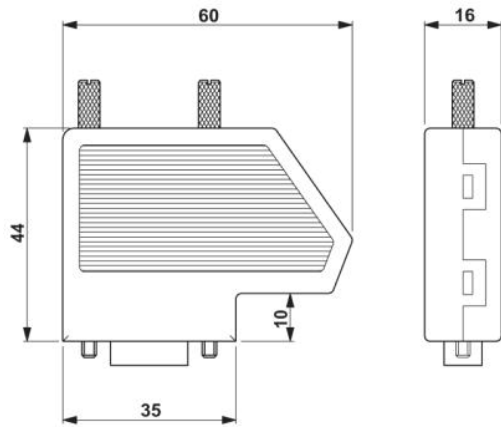
CUL, GOST, UL

Accessories

Item	Designation	Description
Assembly		
2799694	SUBCON-SHORT-SCREW	Optional fixing screw, short (w/o knurl)

Diagrams/Drawings

Dimensioned drawing



Address

PHOENIX CONTACT Deutschland GmbH
Flachmarktstr. 8
32825 Blomberg, Germany
Phone +49 5235 3 12000
Fax +49 5235 3 41200
<http://www.phoenixcontact.de>



© 2010 Phoenix Contact
Technical modifications reserved;