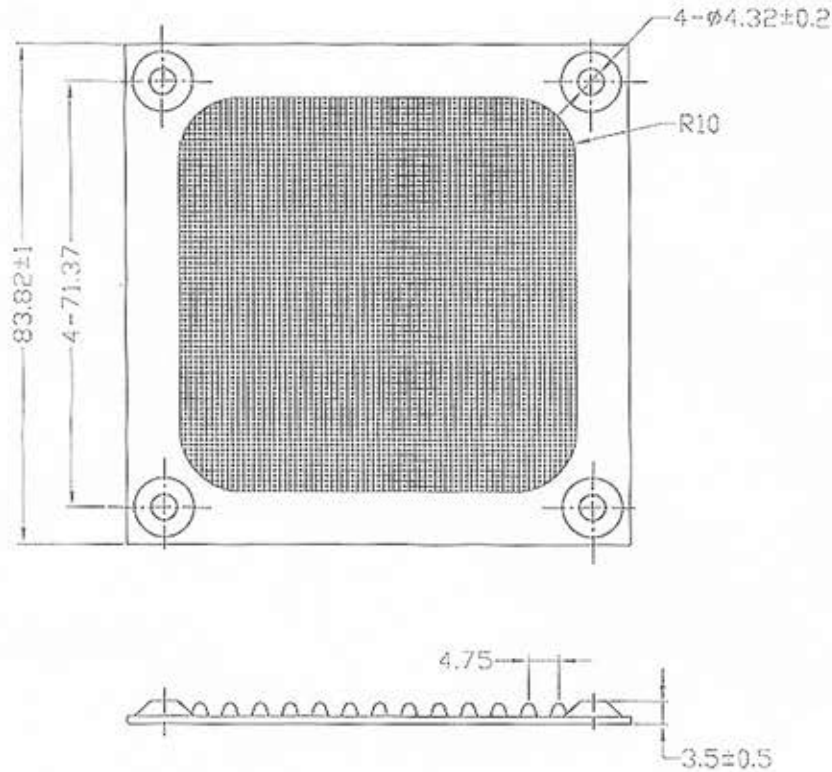


# Part Nos. WMG80M, WMG80B



## Wire Mesh Guard for 80mm Fan



Aluminum/Stainless filters offer high levels of air passage while efficiently filtering contaminants and shielding EMI/RFI.

Tightly woven stainless corrugated mesh screen  
(30x30, 3/16" Pitch, 1/8" Deep)

Filters may be mounted directly onto the fan or to any other housing.

**Finishes:**  
**Mill - Natural Aluminum**  
(suffix "M")



**Black Anodized**  
(suffix "B")



Part No.	Description
WMG80M	Aluminum Fan Filter, mill finish
WMG80B	Aluminum Fan Filter, black finish
WMG80M/PK	10-pack mill finish Aluminum filter, boxed
WMG80B/PK	10-pack black Aluminum filter, boxed