



PRODUCT DATASHEET

Lena series

last update 23/2/2014

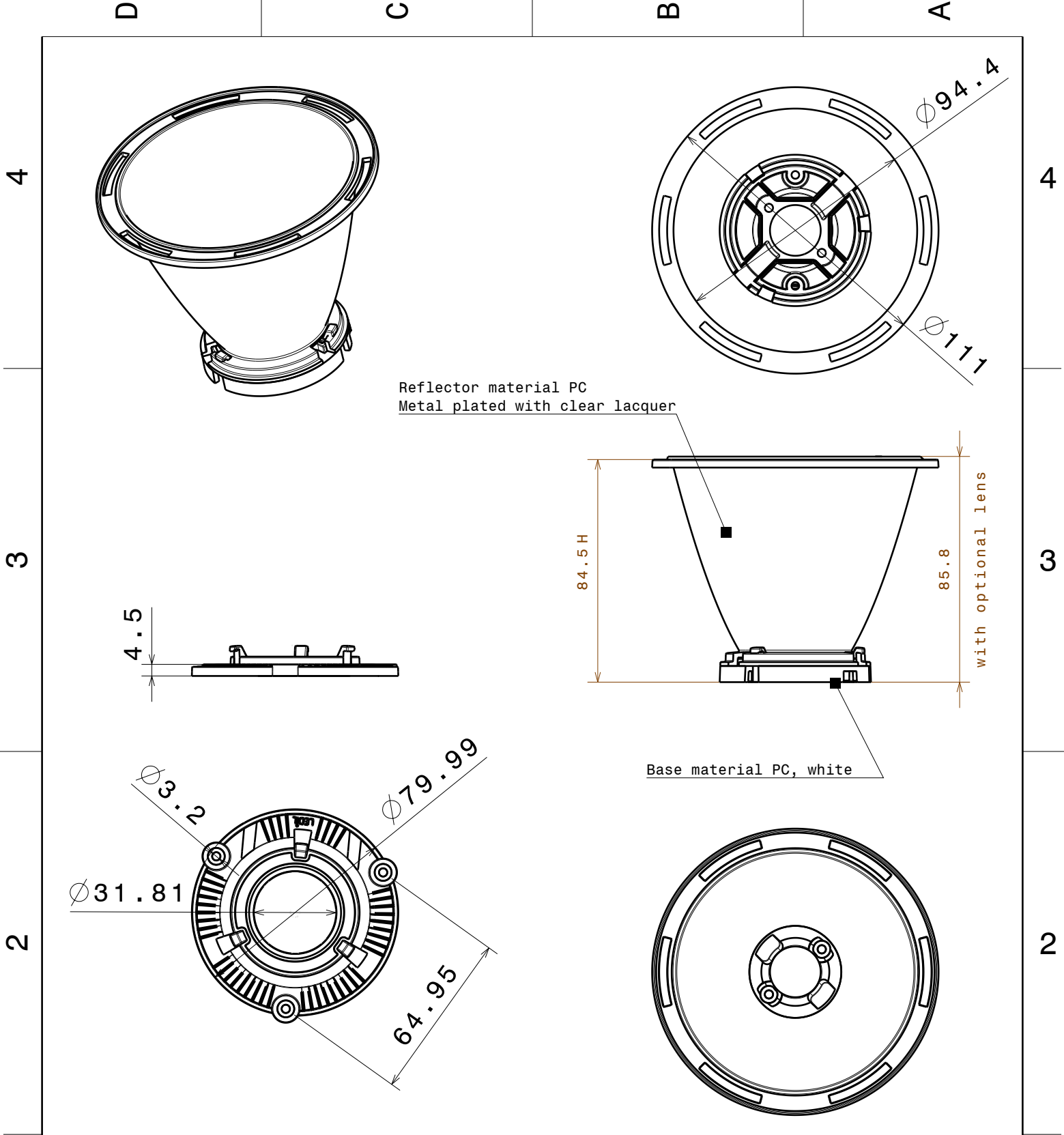
DETAILS

Product Number	CN12306_LENA-W-DL
Family	Lena
Type	RefPack
Color	metal
Diameter	111 mm
Height	85,6 mm
Style	round
Optic Material	PC
Holder Material	
Fastening	screw
Status	production ready
ROHS Compliant	Yes
Date Updated	23/02/2014

OPTICAL PROPERTIES

LED	Viewing Angle	Light Beam	Efficiency	cd/lm	Connector
BXRA RS	51 deg	Wide	76 %	-	-





This drawing is our property.
It can't be reproduced
or communicated without
our written agreement.



Ledil Oy
Salorankatu 10
FIN-24240 SALO
Finland

DRAWING TITLE

Datasheet Lena-BXRA-RS-assembly

DRAWN BY ah	DATE 10.1.2012	SIZE A4		DRAWING NUMBER	REV 2
	CHECKED BY pl	DATE 10.1.2012	SCALE 1:2		WEIGHT (g)
	DESIGNED BY pl	DATE 01.04.2011	SHEET 1/1		

D

A

NOTE: The typical divergence will be changed by different color, chip size and chip position tolerance. The typical total divergence is the full angle measured where the luminous intensity is half of the peak value.