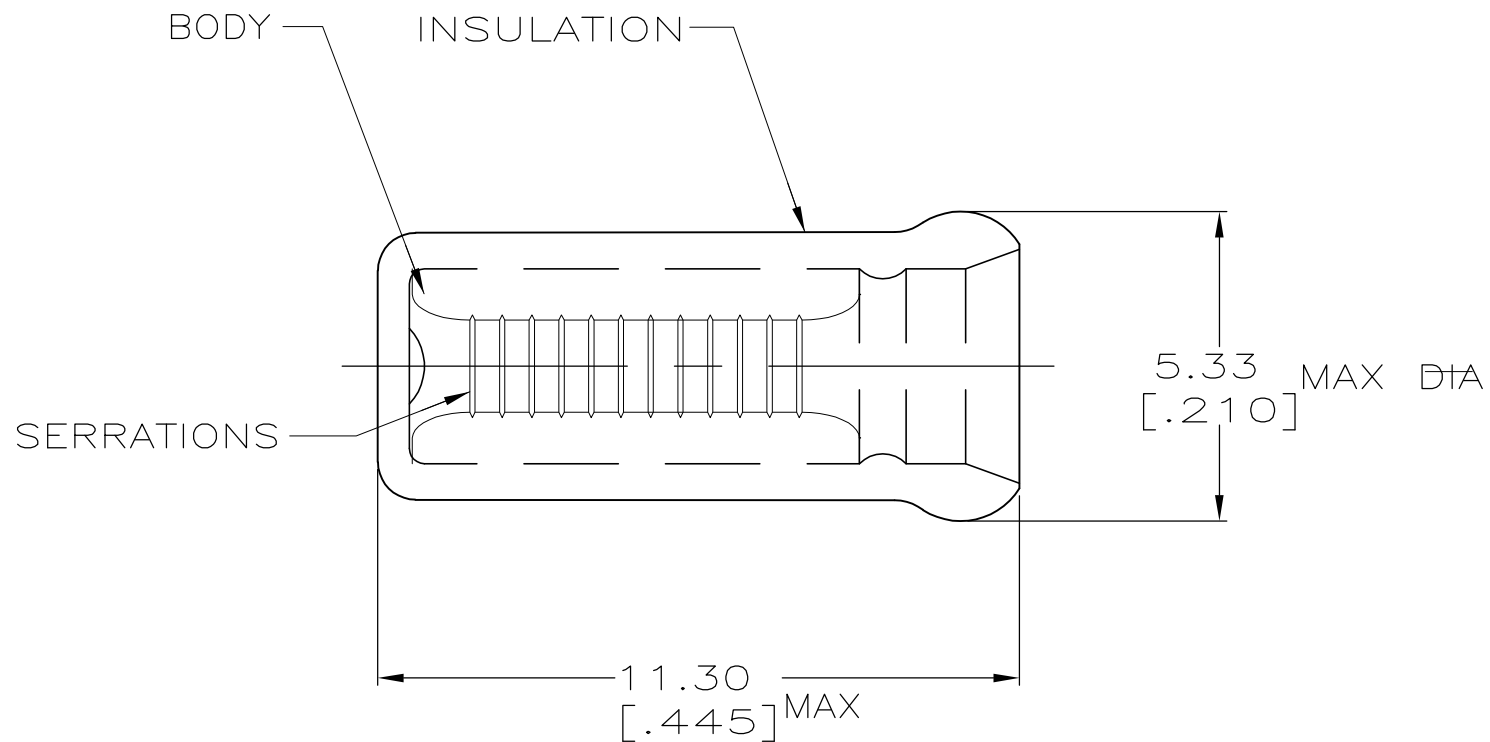


THIS DRAWING IS UNPUBLISHED. RELEASED FOR PUBLICATION  
 © COPYRIGHT - By - ALL RIGHTS RESERVED.

LOC	DIST	REVISIONS			
P	LTR	DESCRIPTION	DATE	DWN	APVD
G	14	F1	REVISED PER ECO-11-004820	11MAR11	RK HMR



- USE FOR STRIPPED (SINGLE) WIRE END ONLY
- WIRE INSUL DIA, 3.15 [.124] MAX

MILITARY P/N & CLASS	QTY	PACKAGE TYPE	PART NO
-	100	LOOSE PIECE, BOX	8-328307-1
MS25274/2 CLASS 1 & 2	1000	LOOSE PIECE	328307

AMP INCORPORATED CUSTOMER SERVICE SYSTEM		MAX RECOMMENDED OPERATING TEMPERATURE: 105° C [221° F]	THIS DRAWING IS A CONTROLLED DOCUMENT.		DWN L OLMEDA 21MAR96	TE Connectivity NAME SPARE WIRE CAP, WIRE SIZE, 22-18 AWG
FOR ADDITIONAL PRODUCT INFORMATION OR COPIES OF DRAWINGS AND TECHNICAL DOCUMENTS	PRODUCT INFORMATION CENTER 1-800-522-6752	VOLTAGE RATING: -	DIMENSIONS: mm [INCHES]	TOLERANCES UNLESS OTHERWISE SPECIFIED:	CHK M ELLIS 21MAR96	
FOR APPLICATION TOOLING INFORMATION	TOOLING ASSISTANCE CENTER 1-800-722-1111	CIRCULAR MIL AREA: 0.26mm <sup>2</sup> -1.65mm <sup>2</sup> [509-3,248]		0 PLC ± - 1 PLC ± - 2 PLC ± 0.20 [.008] 3 PLC ± - 4 PLC ± - ANGLES ± -	APVD K FERREK 21MAR96	
FOR ORDER ENTRY	1-800-526-5142	MATERIAL BODY, CU PER ASTM B152 INSUL, NYLON, COLOR, RED	FINISH BODY, TIN PLATE PER MIL-T-10727	APPLICATION SPEC	PRODUCT SPEC	
				WEIGHT	-	SIZE A3
				CUSTOMER DRAWING		CAGE CODE 00779
						DRAWING NO C-328307
						RESTRICTED TO -
						SCALE 8:1
						SHEET 1 OF 1
						REV F1