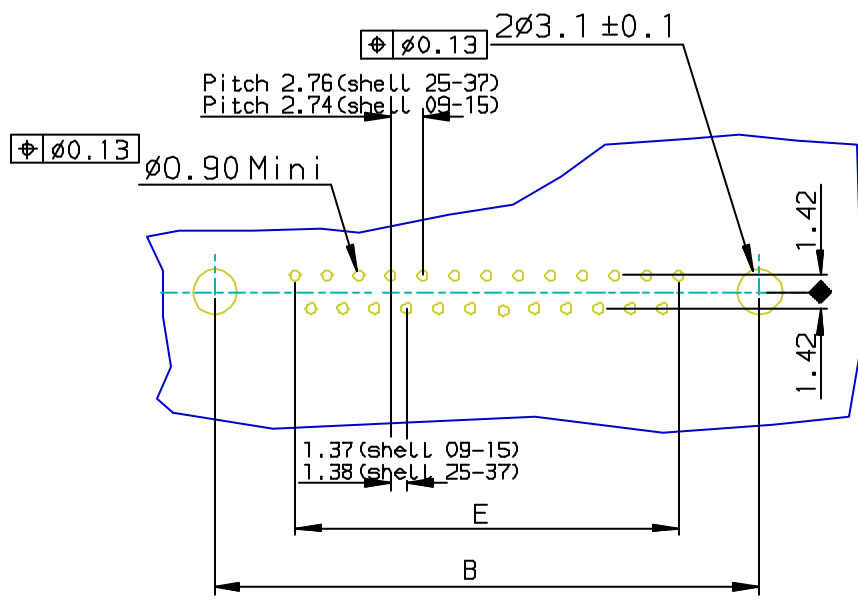
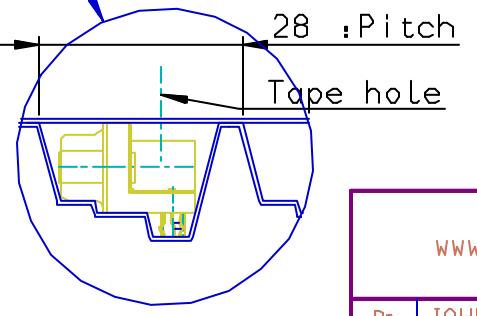
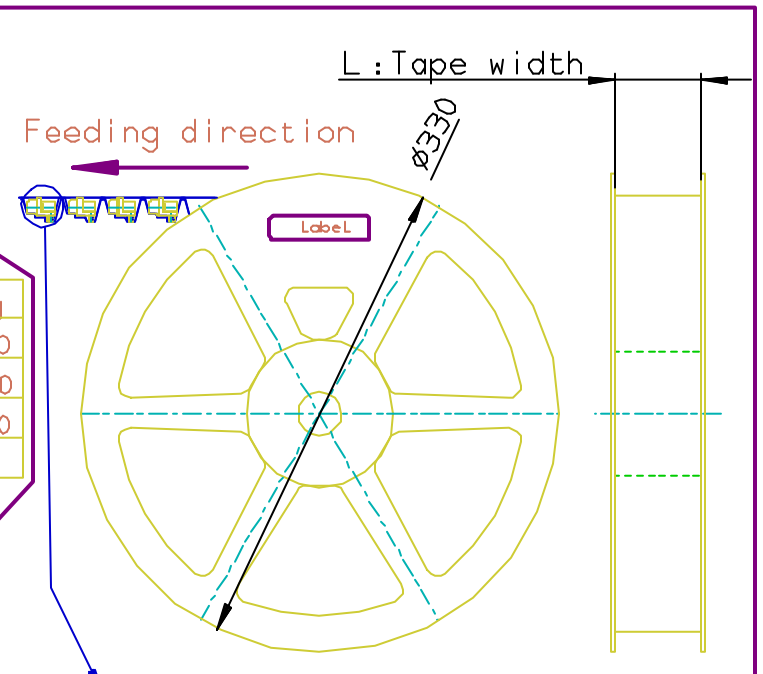


Part Number & Date Code Printing

PC card drilling dimensions(after plating)
(thickness 1.60±0.20mm)



| SHELL | A±0.38 | B±0.12 | C±0.1 | D±0.25 | E±0.07 | G±0.25 | PART NUMBER | L/Qty |
|-------|--------|--------|-------|--------|--------|--------|---------------|--------|
| 09 | 30.81 | 24.99 | 16.96 | 16.79 | 10.96 | 5.90 | D09P33E6GV12* | 44/130 |
| 15 | 39.14 | 33.32 | 25.18 | 25.12 | 19.18 | 5.90 | D15P33E6GV12* | 56/110 |
| 25 | 53.03 | 47.04 | 39.12 | 38.84 | 33.12 | 5.70 | D25P33E6GV12* | 72/110 |
| 37 | 69.32 | 63.50 | 55.68 | 55.30 | 49.68 | 5.70 | --- | --- |



LF FOR LEAD FREE

FOR ROHS DETAILS REFER DWG.NO:C01-8646-0000

European Views

REQUIREMENTS

Technical characteristics:
 Shell: steel tin/Zinc Cr3 plated
 Housings: self-extinguishing thermoplastic, UL Class B4V0 -high temperature
 Contacts: brass, 0.75µ gold over 2µ mini nickel on active area and flash to 1.5µ maxi SnPb over 1µ mini nickel on termination end
 Cycles: 500 mini
Accessories:
 Harpoon: phosphor bronze, tin plated
 Nuts: brass, tin /Zinc Cr3 plated
Electrical characteristics:
 max.current rating: 5A
 Test voltage: 1000V
 Rated voltage: 300V
 Contact resistance: <25mΩ
 Shell resistance: <5mΩ
 Insulation resistance: >5000MΩ
Climatic characteristics:
 Operating temperature range: -55°C +225°C
Dimensions:
 in accordance with MIL-C-24308B and DIN41652

| | | | | |
|---------------------------------------|-------------|----------------------------------|-----------------------------------|------------------|
| www.fciconnect.com | | surface ISO 1302 ✓ | tolerance std ISO 406 ISO 1101 | projection mm |
| TOLERANCES UNLESS OTHERWISE SPECIFIED | | | | |
| Dr | JOHN SLEEBA | 1999/05/31 | ANGULAR | 0.X ±0.1 |
| Eng | GEORGE VJ | 1999/05/31 | LINEAR | 0.XX ±0.1 |
| Chr | GEORGE VJ | 2005/07/27 | 0.XX* ±1* | 0.XXX ±0.1 |
| Appr | KVSD | 2005/07/27 | Product family | D-SUB |
| title | | MALE CONNECT.DELTA D right angle | | size |
| catalog no | | DELTA-D | | A3 |
| dwg no | | C01-8646-0680 | | Scale |
| Rev. | | D | | 1:1 |
| CUSTOMER | | sheet 1 of 1 | | |



Copyright FCI.