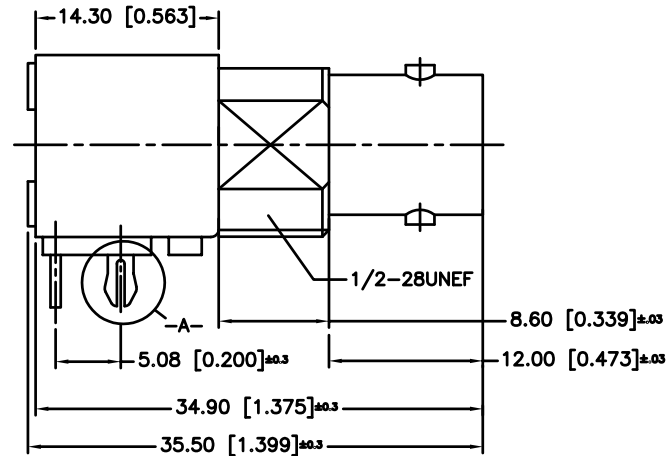
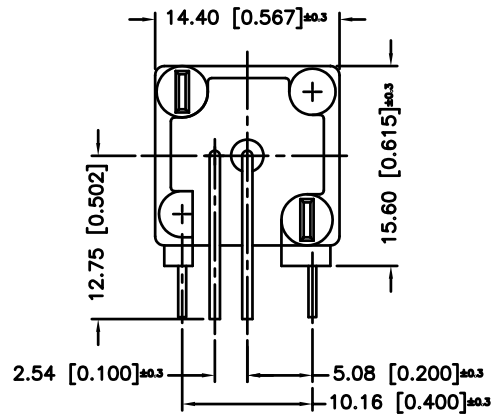
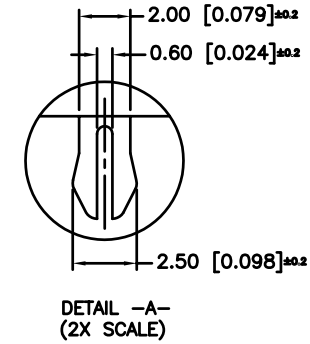
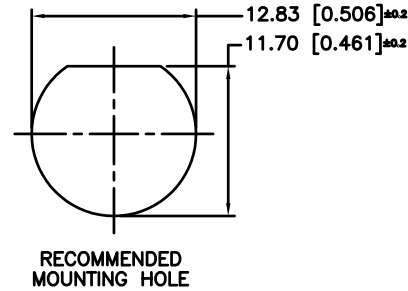
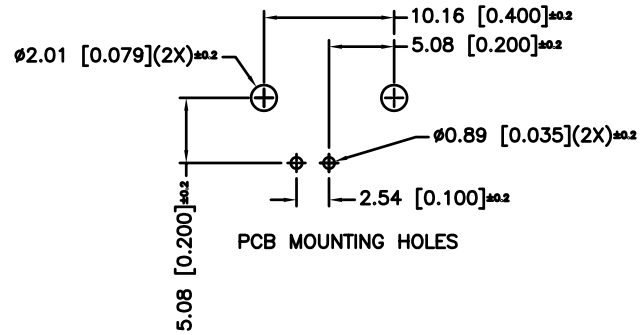


REV.	DATE	ECR.NO	DESCRIPTION
A	06/05/03	--	UPDATE DRAWING FORMAT
B	11/19/03	--	MODIFY MOUNTING POST
C	10/30/06	--	UPDATE DRAWING SPECS
D	09/27/10	2012	HARDWARES REMOVED



NOTE:

1. MAX. PANEL THICKNESS = 5mm [0.197]

DESCRIPTION	MATERIAL	FINISH	QTY	UNLESS OTHERWISE SPECIFIED DIMENSIONS ARE IN MILLIMETERS. DIMENSIONS IN [] ARE IN INCHES AND FOR CUSTOMER REFERENCE ONLY.	APPROVALS	DATE	Amphenol Connex							
3	CONTACT PIN	PHOS. BRONZE	GOLD	1	UNLESS OTHERWISE SPECIFIED TOLERANCES FOR MILLIMETERS ARE: 0.5 - 8mm ± 0.20mm 8 - 30mm ± 0.40mm 30 - 120mm ± 0.50mm UNLESS OTHERWISE SPECIFIED TOLERANCES FOR INCHES ARE: .020 - .315 = ± 0.007" .315 - 1.180 = ± 0.015" 1.180 - 4.724 = ± 0.020" DO NOT SCALE DRAWING	DRAWN	G.R.S.	11/19/03	PART DESCRIPTION					
2	INSULATOR	P.P.	NATURAL	1		CHECKED		BNC R/A PC MOUNT RECEPT. JACK						
1	BODY	ZINC DIECAST	NICKEL	1		ISSUED		PART NO.						
						SHEET	1 OF 1	112503						
					CAD FILE	C:/112/112503.DWG	DWG. NO.	112503.DWG	REV.	D	SIZE	A	SCALE	NA