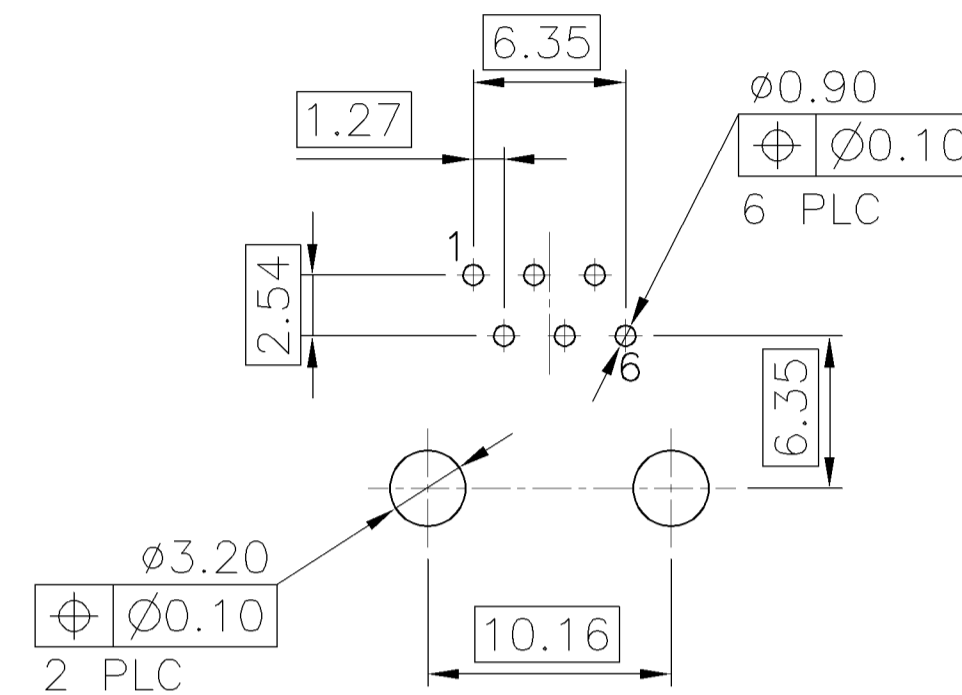
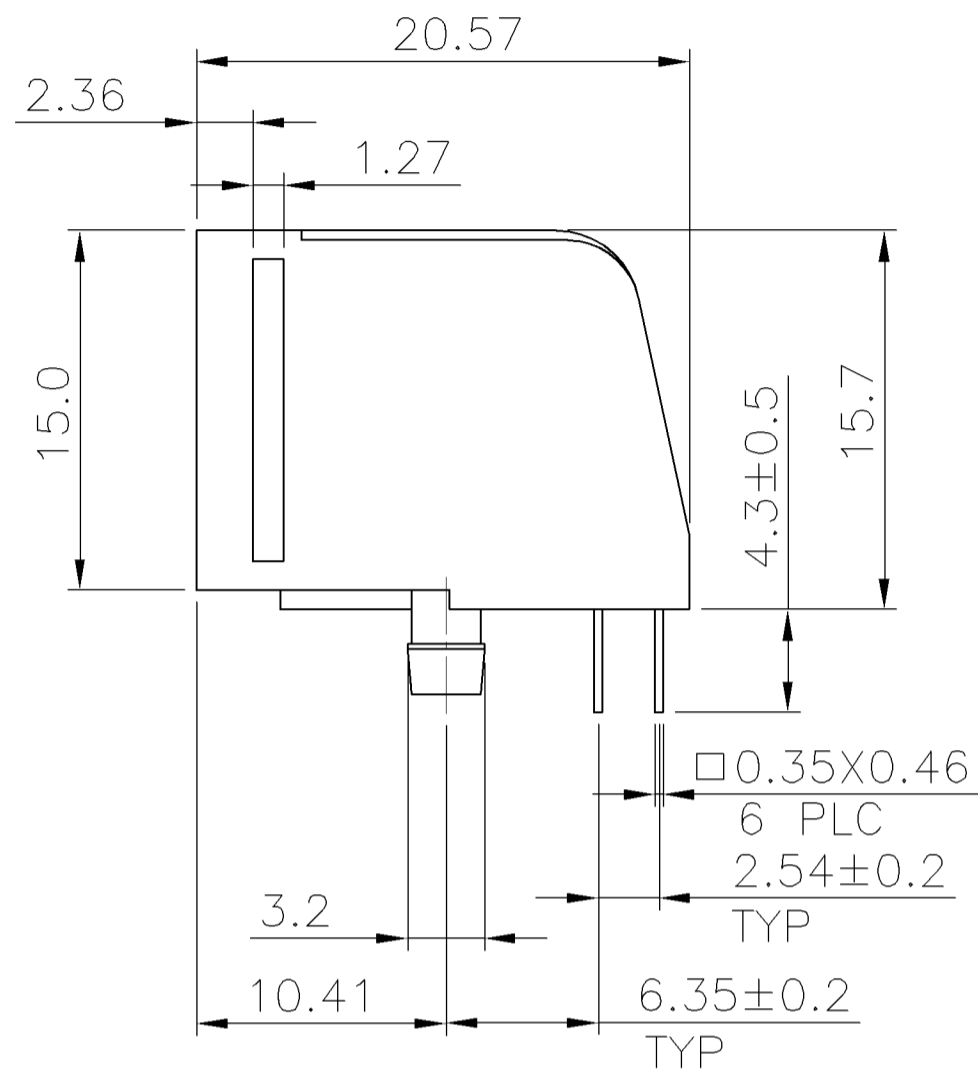
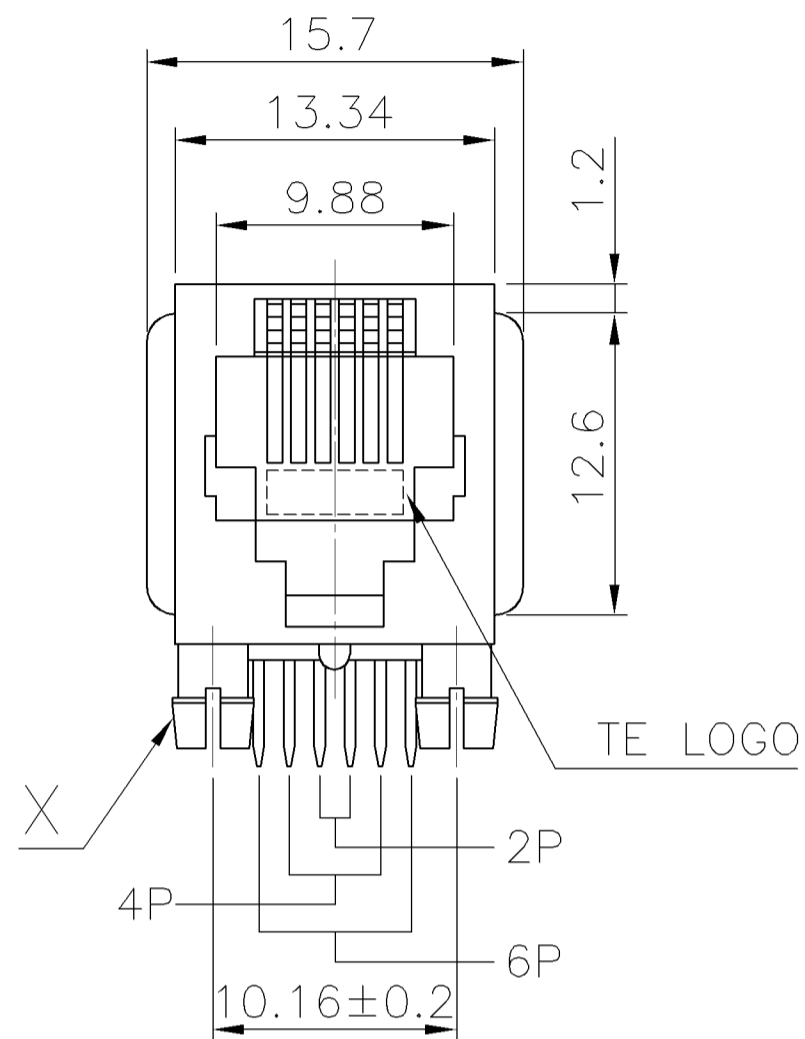
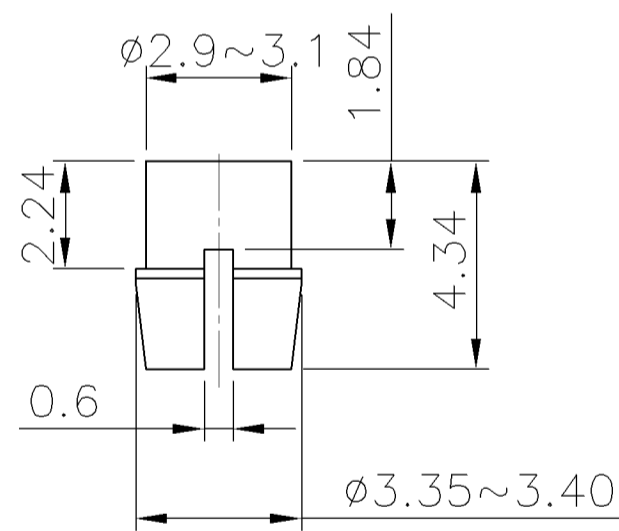
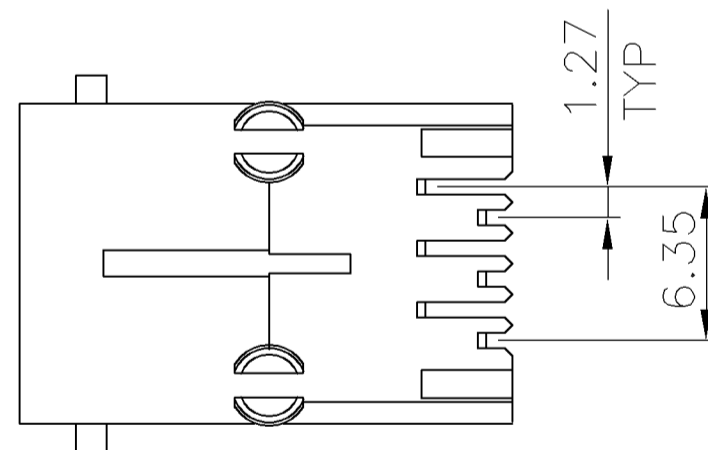


THIS DRAWING IS UNPUBLISHED. RELEASED FOR PUBLICATION
 © COPYRIGHT BY TYCO ELECTRONICS CORPORATION. ALL RIGHTS RESERVED.

LOC	DIST	REVISIONS					
DW	—	P	LTR	DESCRIPTION	DATE	DWN	APVD
			A	RELEASED	17NOV07	OH	WK



RECOMMENDED PCB LAYOUT (THICKNESS: 1.6mm)
 DIMENSION TOLERANCE: ±0.05



DETAIL X

6P	1.37µm [50µ"]	2-1775675-4
	0.762µm [30µ"]	2-1775675-3
	0.381µm [15µ"]	2-1775675-2
	0.152µm [6µ"]	2-1775675-1
4P	1.37µm [50µ"]	1-1775675-4
	0.762µm [30µ"]	1-1775675-3
	0.381µm [15µ"]	1-1775675-2
2P	1.37µm [50µ"]	1775675-4
	0.762µm [30µ"]	1775675-3
	0.381µm [15µ"]	1775675-2
PIN POS.	MIN. GOLD THICKNESS	PART NUMBER
	0.152µm [6µ"]	1775675-1

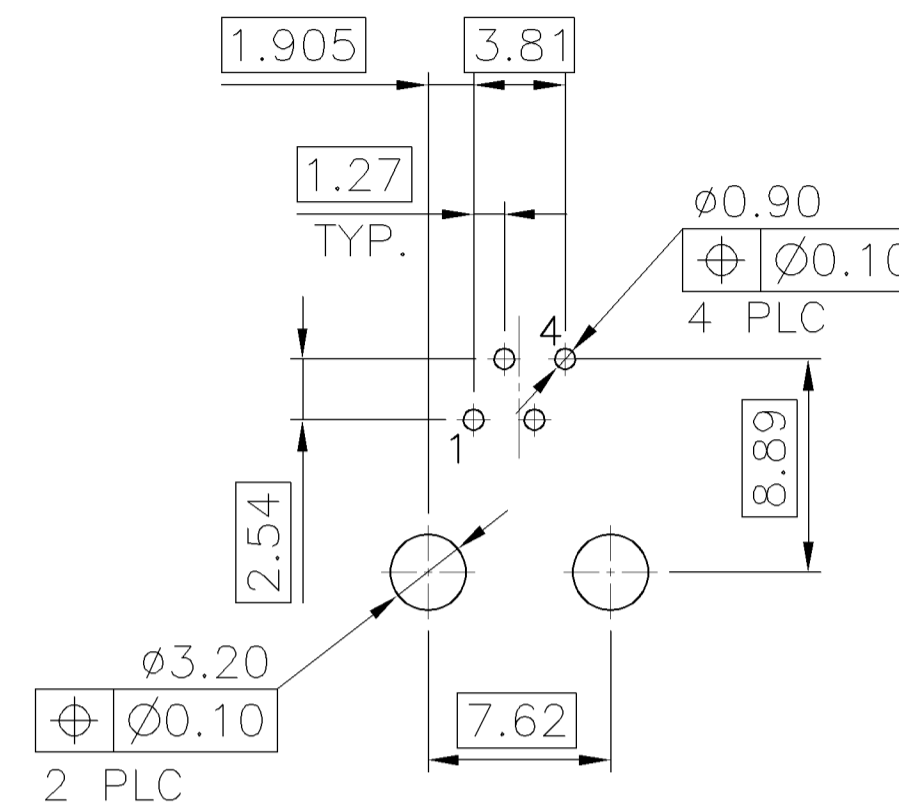
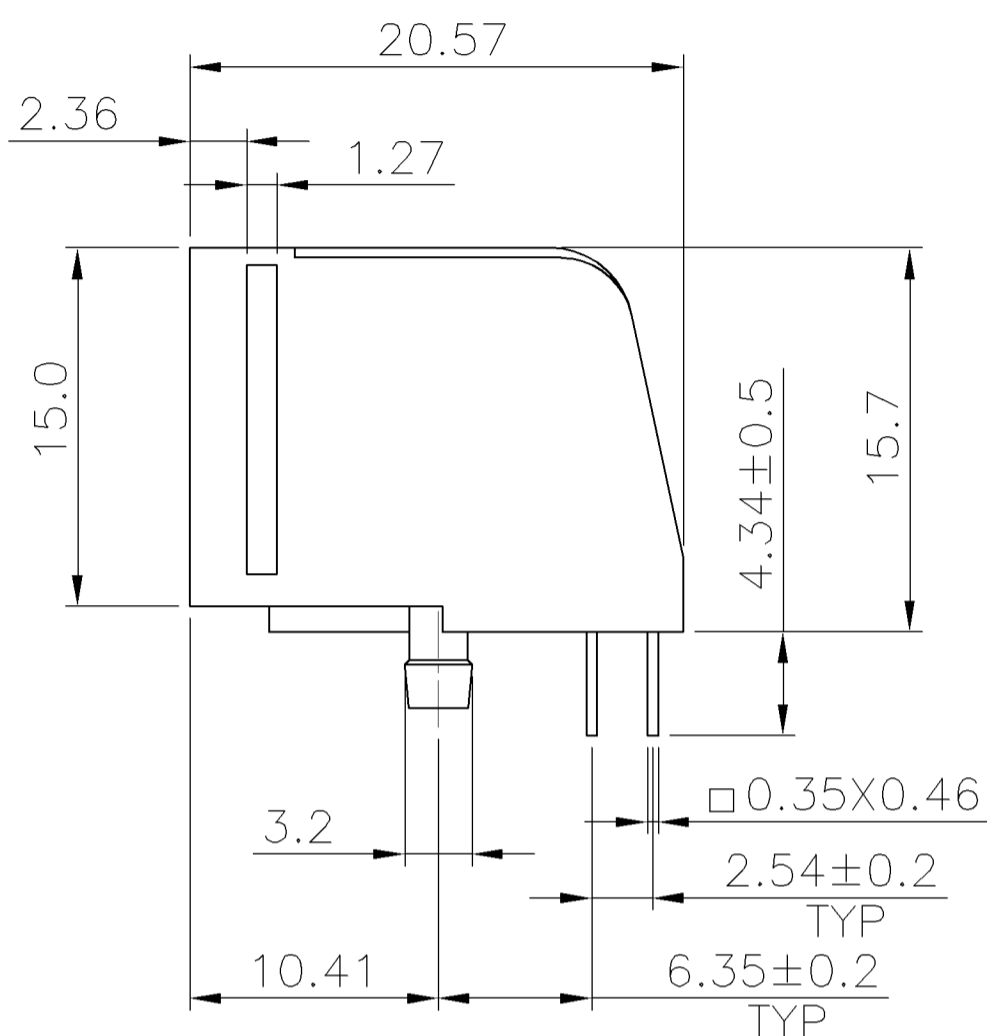
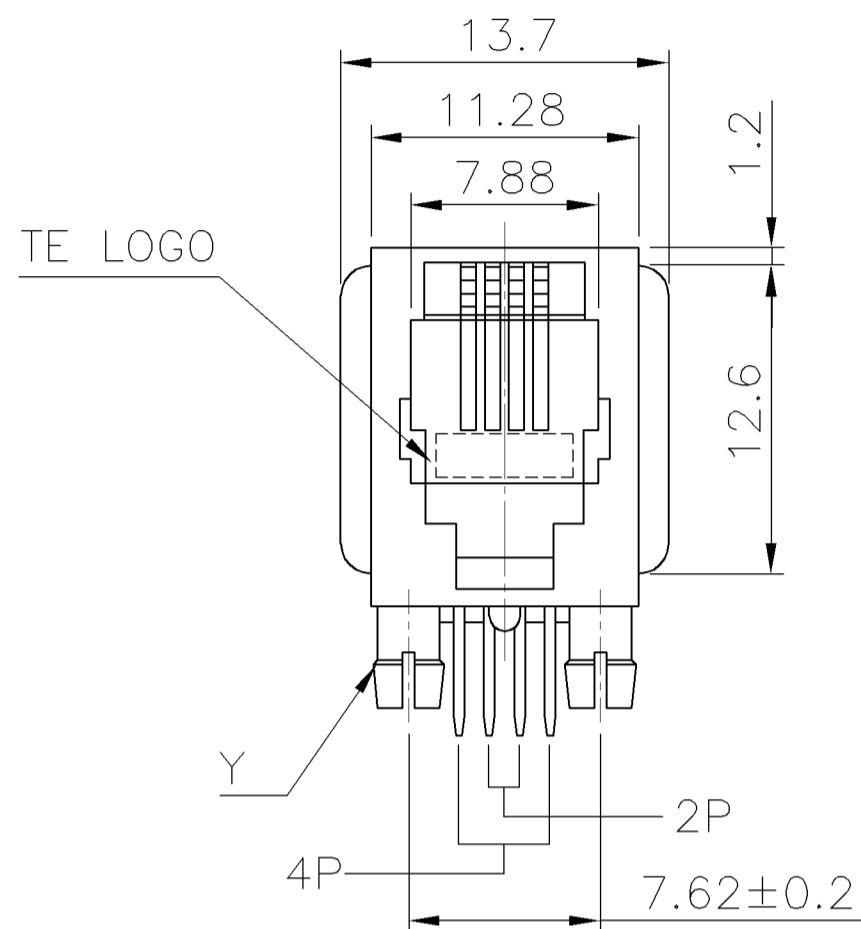
NOTE:

- MATERIAL:
HOUSING: PBT WITH 30% GF, UL 94V-0, BLACK COLOR.
CONTACTS: PHOSPHOR BRONZE.
- FINISH:
CONTACTS: (SEE TABLE) GOLD PLATED ON CONTACT AREA, GOLD FLASH ON SOLDER TAIL, WITH ENTIRE CONTACT UNDERPLATED 1.27µm [50µ"] MIN. NICKEL.
- WAVE SOLDER CAPABLE TO 240°C PER TE TEST SPEC. 109-202, CONDITION A.

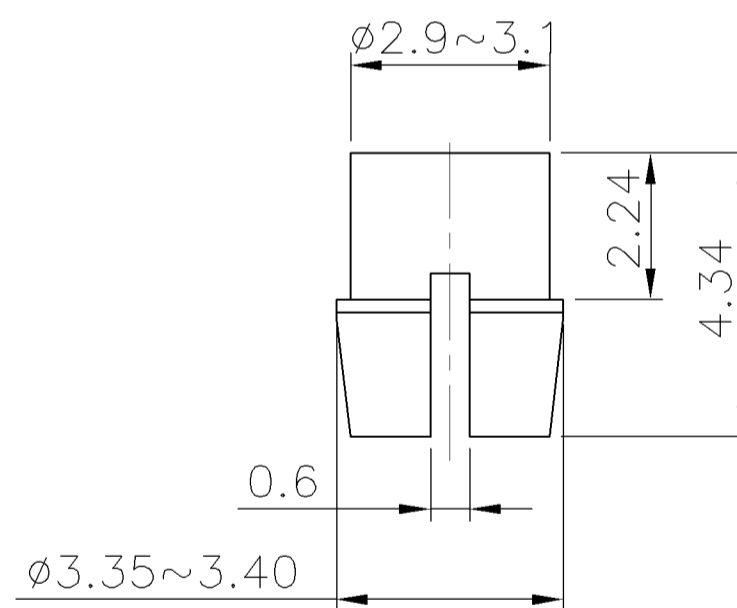
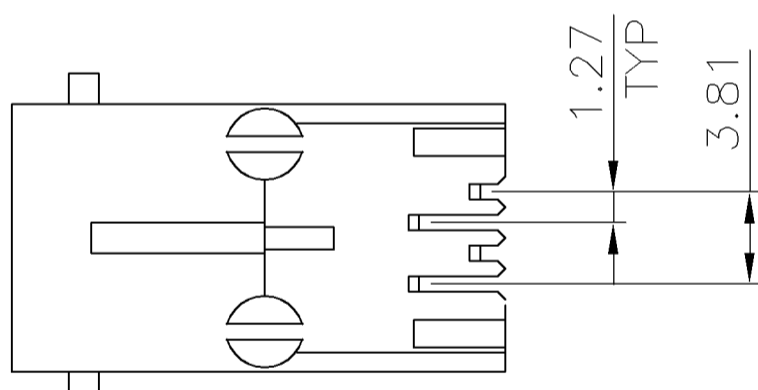
THIS DRAWING IS A CONTROLLED DOCUMENT.		DWN O. HU 14NOV2006	Tyco Electronics Corporation Taipei, Taiwan														
DIMENSIONS: MM		CHK S. HOU 14NOV2006															
TOLERANCES UNLESS OTHERWISE SPECIFIED:		APVD W. KODAMA 14NOV2006	NAME														
<table border="1"> <tr><td>0 PLC</td><td>± 0.50</td></tr> <tr><td>1 PLC</td><td>± 0.30</td></tr> <tr><td>2 PLC</td><td>± 0.20</td></tr> <tr><td>3 PLC</td><td>± 0.10</td></tr> <tr><td>4 PLC</td><td>± -</td></tr> <tr><td>ANGLES</td><td>± -</td></tr> </table>		0 PLC	± 0.50	1 PLC	± 0.30	2 PLC	± 0.20	3 PLC	± 0.10	4 PLC	± -	ANGLES	± -	PRODUCT SPEC 108-57527	MODULAR JACK, SIDE ENTRY, LOW PROFILE, DIP		
0 PLC	± 0.50																
1 PLC	± 0.30																
2 PLC	± 0.20																
3 PLC	± 0.10																
4 PLC	± -																
ANGLES	± -																
MATERIAL SEE NOTE		QUALIFICATION TEST REPORT 501-57661	SIZE A3	CAGE CODE -	DRAWING NO C-1775675	RESTRICTED TO -											
FINISH SEE NOTE		WEIGHT 3.5 GRAMS	CUSTOMER DRAWING		SCALE -	SHEET 1 OF 3	REV A										

THIS DRAWING IS UNPUBLISHED. RELEASED FOR PUBLICATION
 © COPYRIGHT BY TYCO ELECTRONICS CORPORATION. ALL RIGHTS RESERVED.

LOC	DIST	REVISIONS					
DW	—	P	LTR	DESCRIPTION	DATE	DWN	APVD
				SEE SHEET 1.			



RECOMMENDED PCB LAYOUT (THICKNESS: 1.6mm)
 DIMENSION TOLERANCE: ±0.05



DETAIL Y

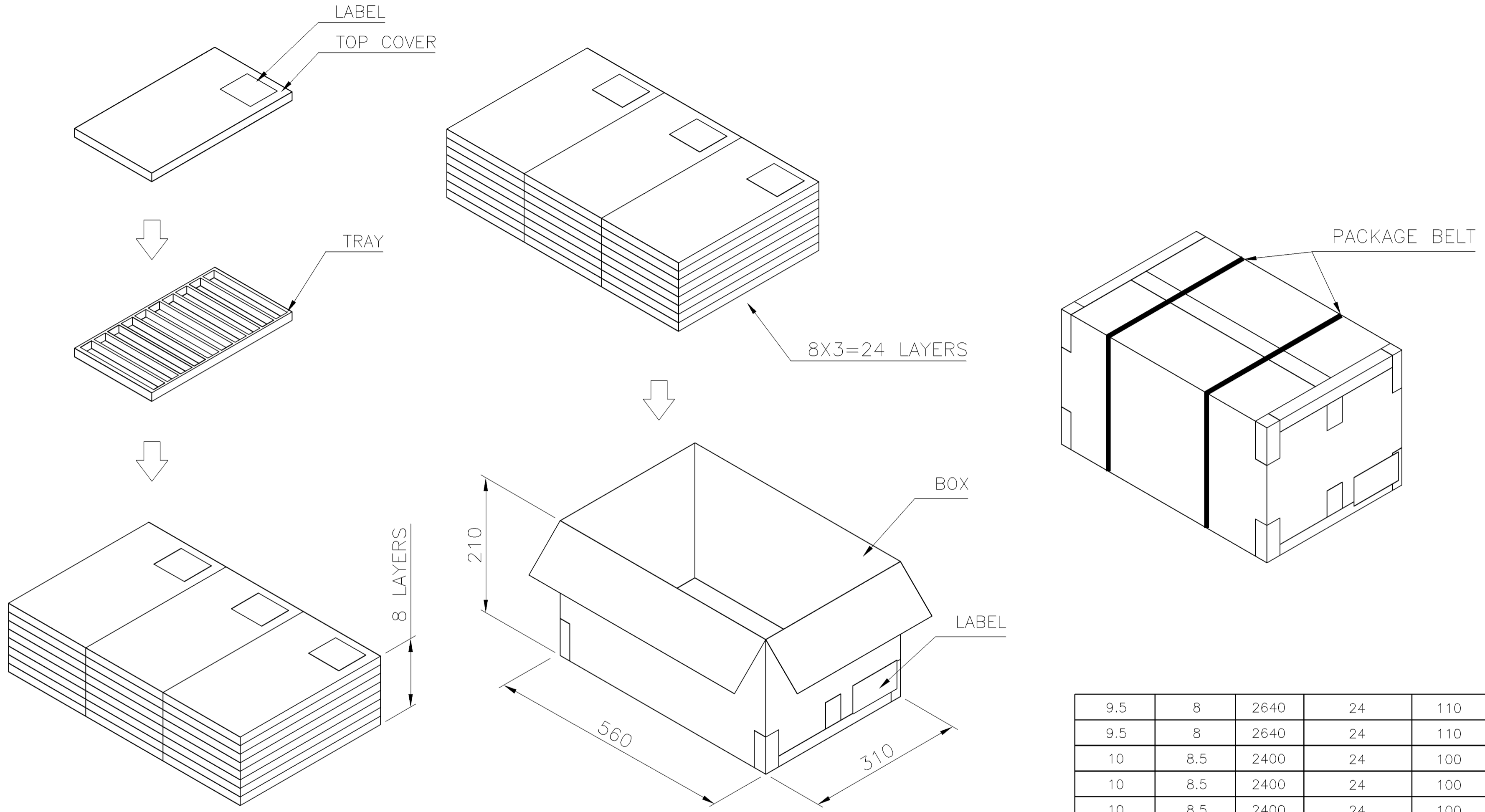
4P	1.37µm [50µ"]	4-1775675-4
	0.762µm [30µ"]	4-1775675-3
	0.381µm [15µ"]	4-1775675-2
	0.152µm [6µ"]	4-1775675-1
2P	1.37µm [50µ"]	3-1775675-4
	0.762µm [30µ"]	3-1775675-3
	0.381µm [15µ"]	3-1775675-2
	0.152µm [6µ"]	3-1775675-1
PIN POS.	MIN. GOLD THICKNESS	PART NUMBER

- NOTE:
- MATERIAL:
HOUSING: PBT WITH 30% GF, UL 94V-0, BLACK COLOR.
CONTACTS: PHOSPHOR BRONZE.
 - FINISH:
CONTACTS: (SEE TABLE) GOLD PLATED ON CONTACT AREA,
GOLD FLASH ON SOLDER TAIL, WITH ENTIRE CONTACT UNDERPLATED 1.27µm [50µ"] MIN. NICKEL.
 - WAVE SOLDER CAPABLE TO 240°C PER TE TEST SPEC. 109-202, CONDITION A.

THIS DRAWING IS A CONTROLLED DOCUMENT.		DWN O. HU 14NOV2006	Tyco Electronics Corporation Taipei, Taiwan			
DIMENSIONS: MM		CHK S. HOU 14NOV2006				
TOLERANCES UNLESS OTHERWISE SPECIFIED:		APVD W. KODAMA 14NOV2006	NAME			
0 PLC ± 0.50 1 PLC ± 0.30 2 PLC ± 0.20 3 PLC ± 0.10 4 PLC ± - ANGLES ± -		PRODUCT SPEC 108-57527	MODULAR JACK, SIDE ENTRY, LOW PROFILE, DIP			
MATERIAL SEE NOTE		QUALIFICATION TEST REPORT 501-57661	SIZE A3	CAGE CODE -	DRAWING NO C-1775675	RESTRICTED TO -
FINISH SEE NOTE		WEIGHT 3.0 GRAMS	CUSTOMER DRAWING		SCALE -	SHEET 2 OF 3
					REV A	

THIS DRAWING IS UNPUBLISHED. RELEASED FOR PUBLICATION
 © COPYRIGHT BY TYCO ELECTRONICS CORPORATION. ALL RIGHTS RESERVED.

LOC	DIST	REVISIONS					
DW	—	P	LTR	DESCRIPTION	DATE	DWN	APVD
				SEE SHEET 1.			



9.5	8	2640	24	110	4-1775675-X
9.5	8	2640	24	110	3-1775675-X
10	8.5	2400	24	100	2-1775675-X
10	8.5	2400	24	100	1-1775675-X
10	8.5	2400	24	100	1775675-X
G/W(Kg) (REF.)	N/W(Kg) (REF.)	QUANTITY (PCS)	TRAYS/BOX	PCS/TRAY	PART NUMBER

THIS DRAWING IS A CONTROLLED DOCUMENT.		DWN O. HU 14NOV2006	Tyco Electronics Corporation Taipei, Taiwan			
DIMENSIONS: MM		CHK S. HOU 14NOV2006				
TOLERANCES UNLESS OTHERWISE SPECIFIED:		APVD W. KODAMA 14NOV2006	NAME			
0 PLC ± - 1 PLC ± - 2 PLC ± - 3 PLC ± - 4 PLC ± - ANGLES ± - FINISH		PRODUCT SPEC	MODULAR JACK, SIDE ENTRY, LOW PROFILE, DIP			
MATERIAL		APPLICATION SPEC	SIZE	CAGE CODE	DRAWING NO	RESTRICTED TO
		WEIGHT	A3	00779	C=1775675	—
CUSTOMER DRAWING			SCALE	SHEET	REV	
			—	3 OF 3	A	