

DETAILS

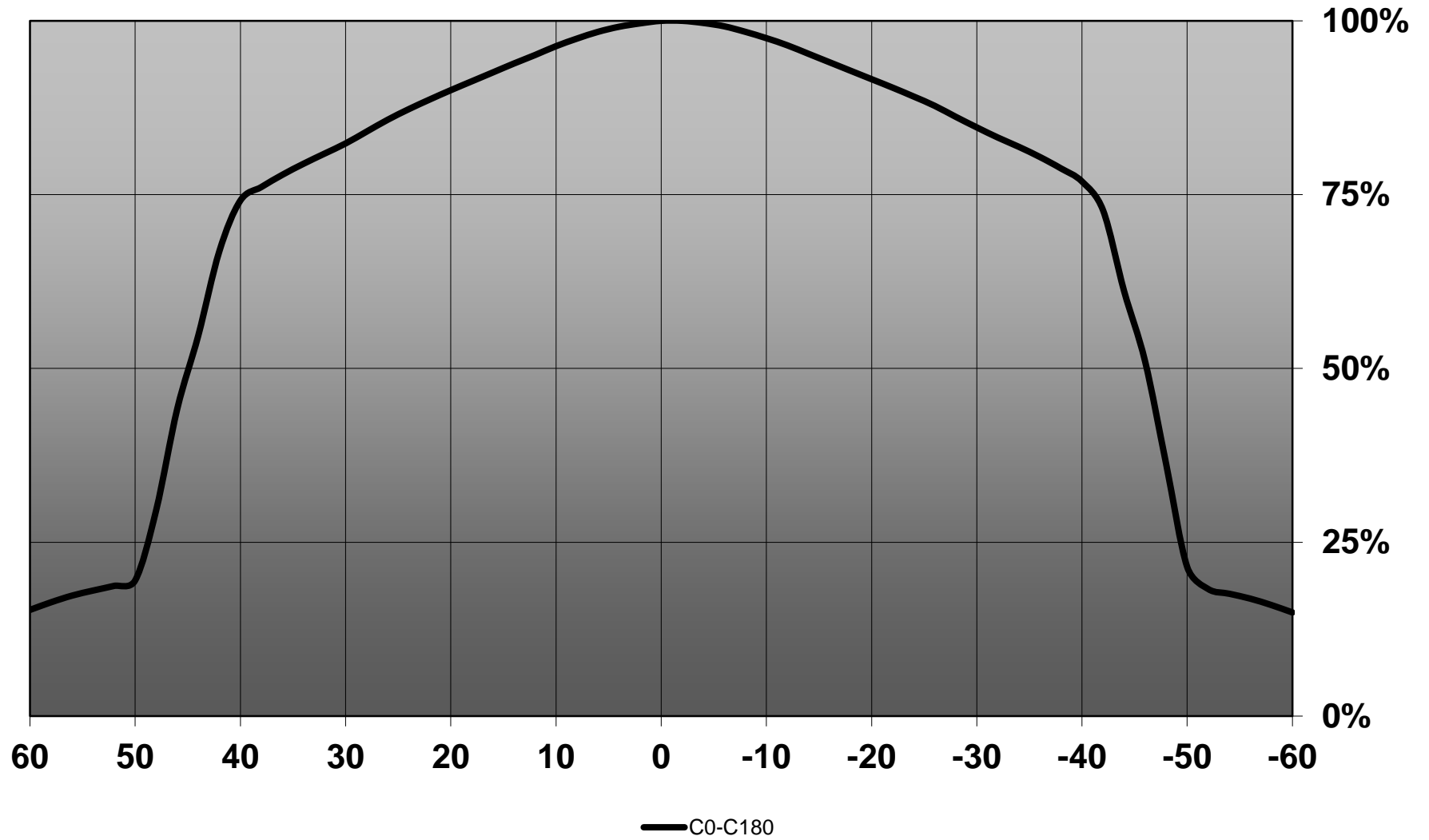
Product Number	CA13892_MINNIE-XW
Family	Minnie
Type	RefAssy
Color	black
Diameter	35 mm
Height	15,8 mm
Style	round
Optic Material	
Holder Material	
Fastening	
Status	production ready
ROHS Compliant	Yes
Date Updated	16/01/2017

OPTICAL PROPERTIES

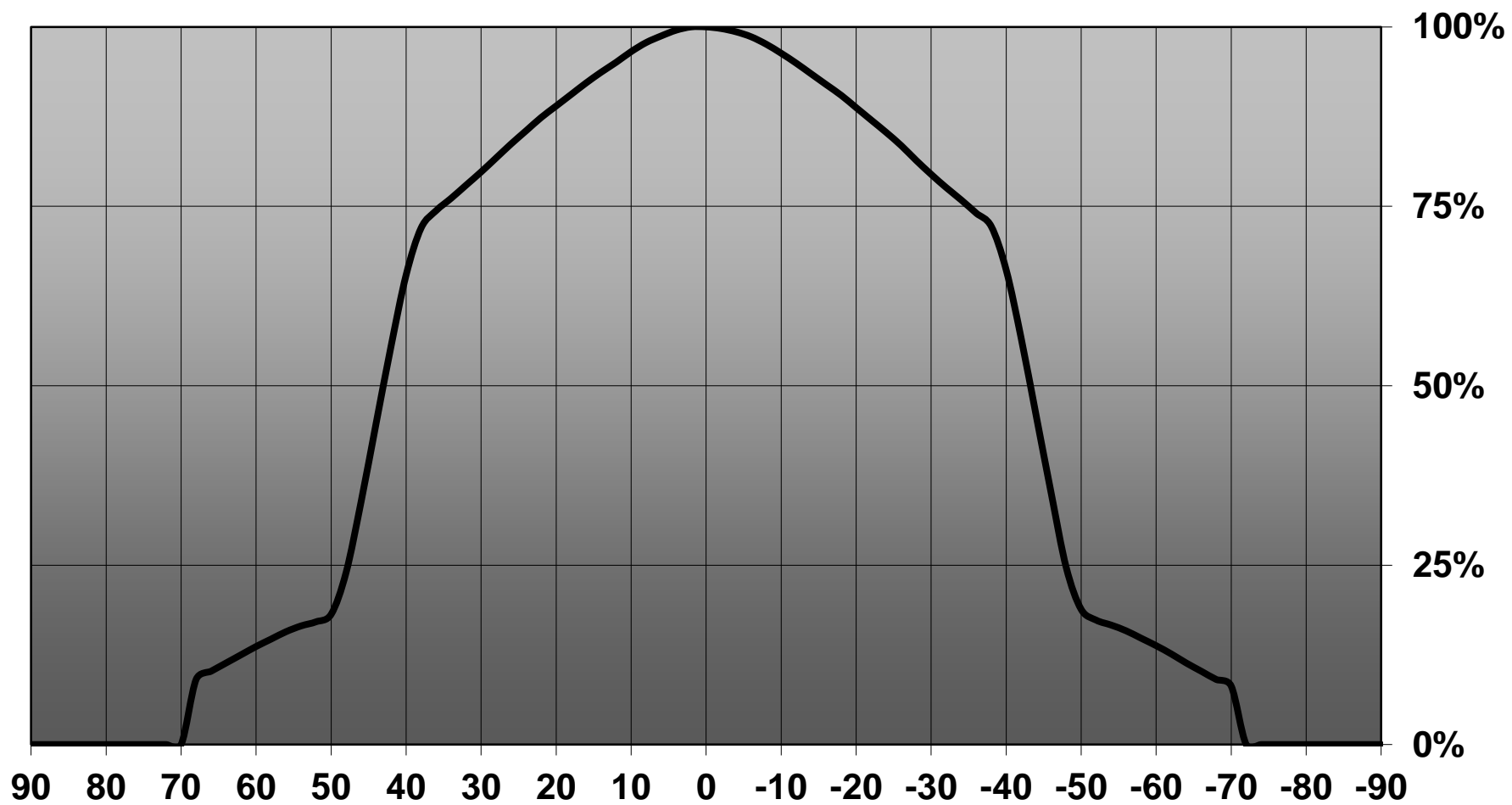
LED	Viewing	Light	Effi-		Connector
	Angle	Beam	ciency	cd/lm	
XHP70	91 deg		93 %	0.430	-
MHD-E/G	89 deg		83 %	0.410	-
LUXEON M/MX	90 deg		92 %	0.500	-
Duris S10	86 deg		92 %	0.500	-
Duris P10	130 deg		-	-	-



Relative intensity of CA13892_MINNIE-XW-(LuxM)



Relative intensity of CA13892_MINNIE-XW_(Duris_S10)



D

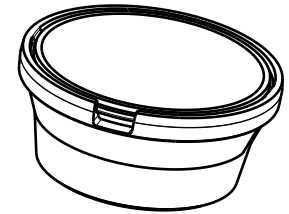
C

B

A

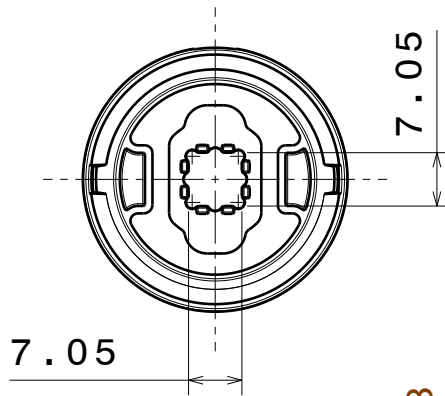
4

4

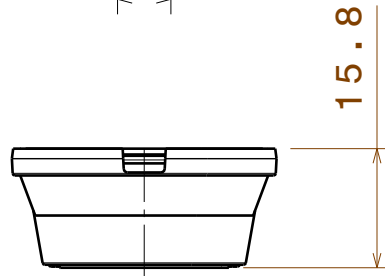


Isometric view

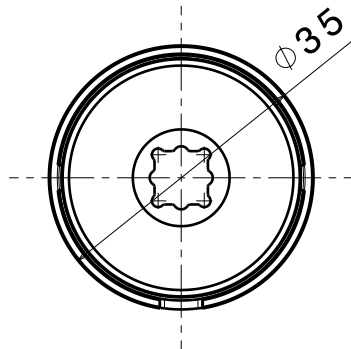
Bottom view



Front view



Top view



3

3

2

2

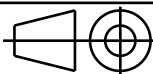
INDEX	PART NO	DESCRIPTION	MATERIAL	COLOUR
1	-	MINNIE_LUXEON-M_ASSEMBLY	Ref1 and holder PC, Tape PU foam	

Tolerances if not otherwise shown
According to DIN ISO 2768-1
Linear measures:
Up to 30mm class M, otherwise class C.
According to DIN ISO 2768-2
Form and position: class L

LEDiL

Ledil Oy
Salorankatu 10
FIN 24240 SALO
Finland

THIRD ANGLE PROJECTION:



DRAWING TITLE

MINNIE_LUXEON-M_ASSEMBLY

This drawing is the property
of LEDiL Oy. It may not be
reproduced, copied or
communicated without a written
agreement with LEDiL Oy."

SIZE PART NUMBER

A4

-

SCALE 1:1 WEIGHT

-

SHEET 1/1

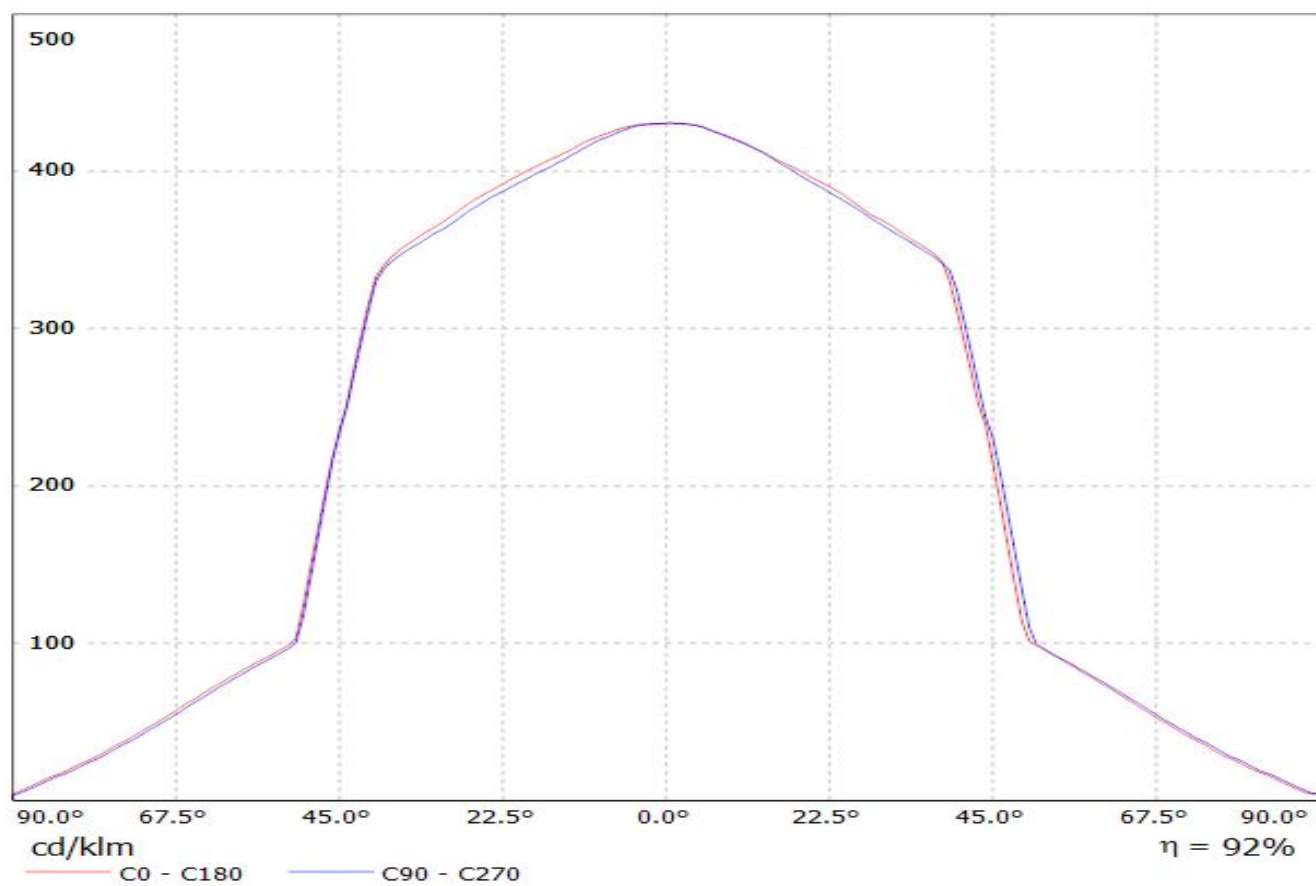
D

A

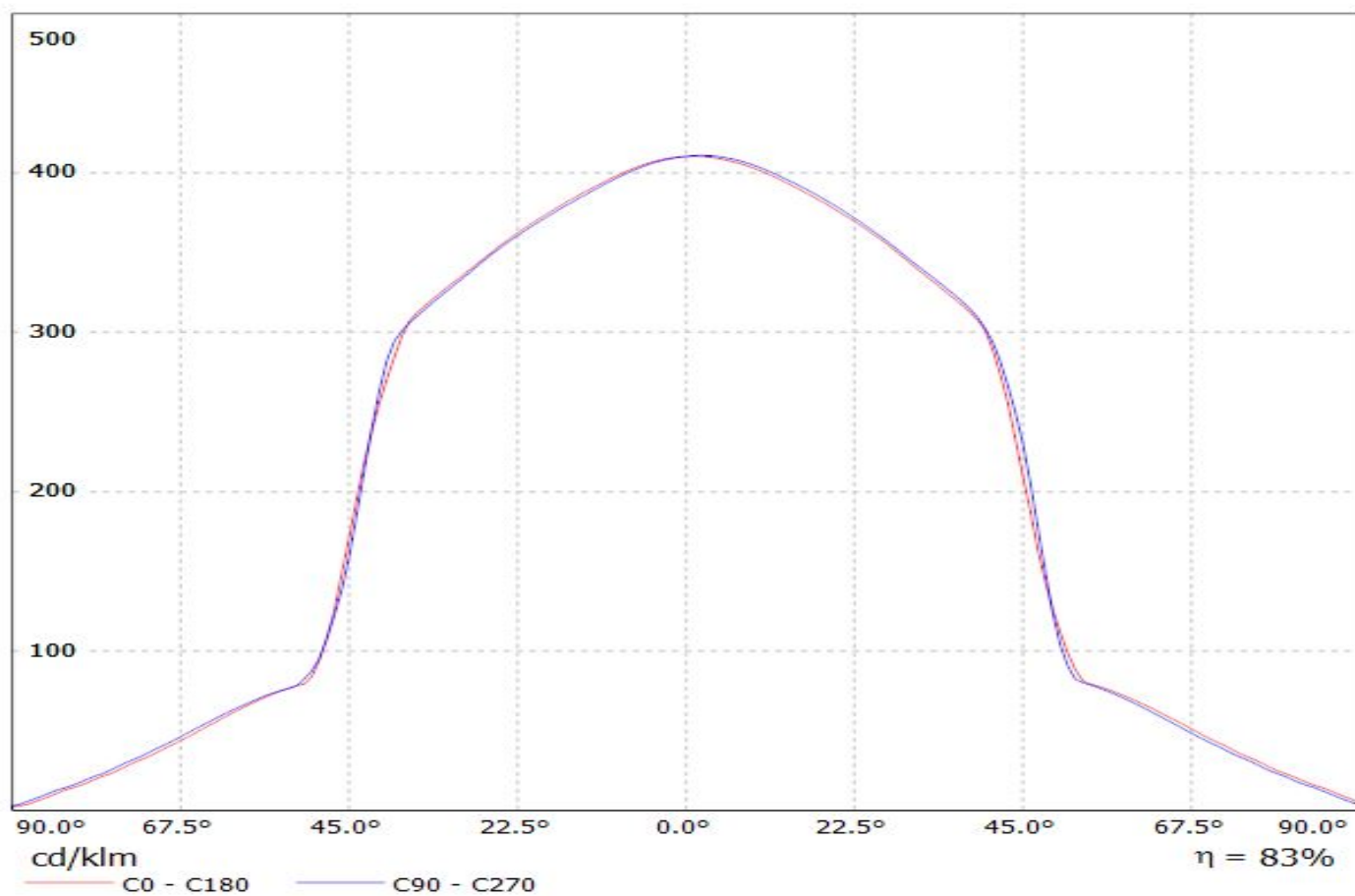
1

1

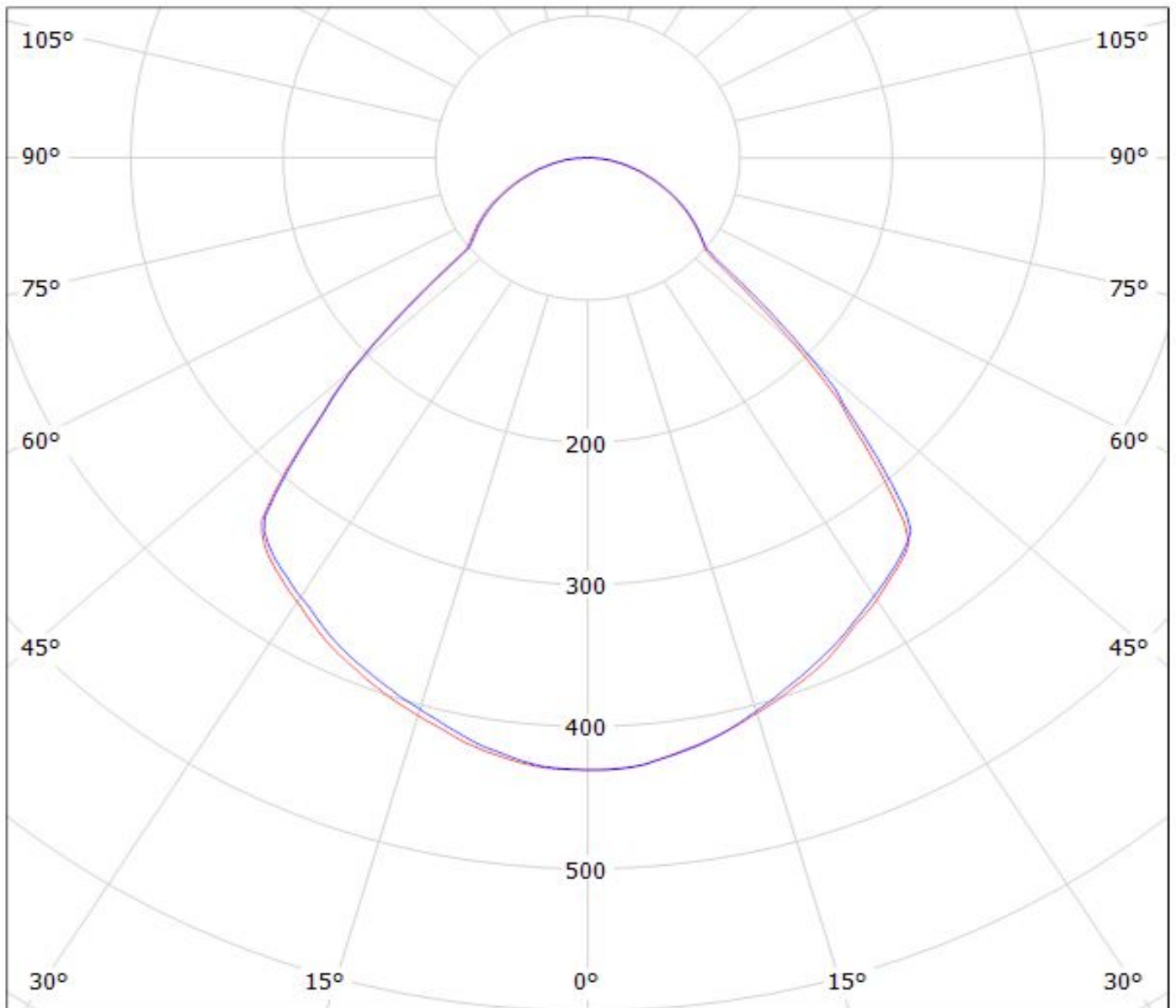
Luminaire: Ledil CA13892_MINNIE-XW_(Cree_XHP70)
Lamps: 1 x Cree_XHP70_289.849lm@250mA_P=1.255325W_I=0.25A



Luminaire: Ledil CA13892_MINNIE-XW_(MHD-G)
Lamps: 1 x MHD-G_528.91lm@100mA_P=3.0W_I=0.100A



Luminaire: Ledil CA13892_MINNIE-XW_(Cree_XHP70)
Lamps: 1 x Cree_XHP70_289.849lm@250mA_P=1.255325W_I=0.25A

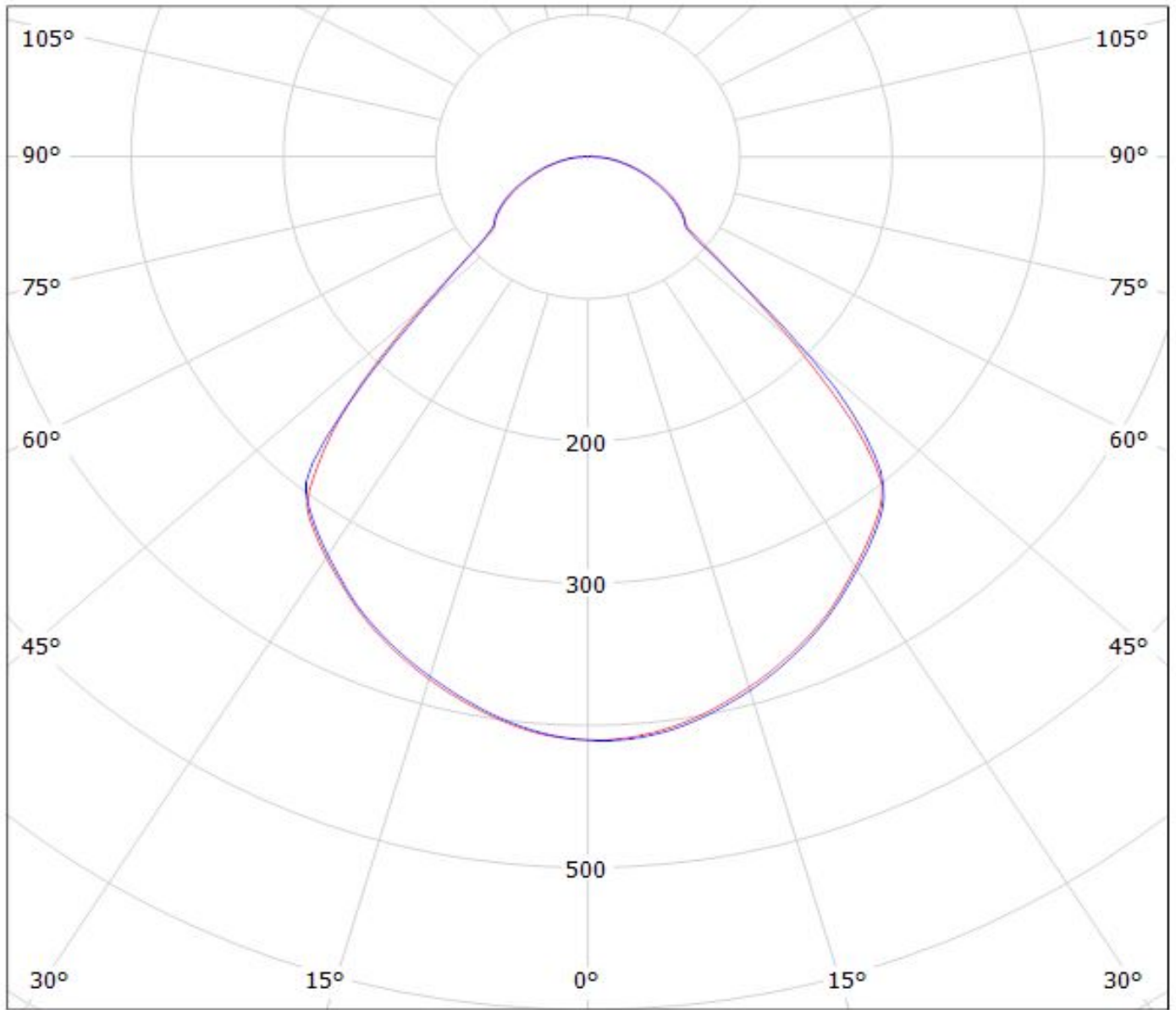


cd/klm

— C0 - C180 — C90 - C270

$\eta = 92\%$

Luminaire: Ledil CA13892_MINNIE-XW_(MHD-G)
Lamps: 1 x MHD-G_528.91lm@100mA_P=3.0W_I=0.100A



cd/klm

$\eta = 83\%$

— C0 - C180

— C90 - C270

NOTE: The typical divergence will be changed by different color, chip size and chip position tolerance. The typical total divergence is the full angle measured where the luminous intensity is half of the peak value.