

# RJ45 10G Base-T Single Port w/ LEDs

**ARJ-128**

**RoHS/RoHS II Compliant**



16.6 x 13.5 x 32.6 mm

## FEATURES:

- Compliant with IEEE802.3an standard
- Designed to support 10G Base-T Transceivers
- RoHS peak wave solder temperature 260°C
- Provides signal conditioning, EMI suppression and signal isolation

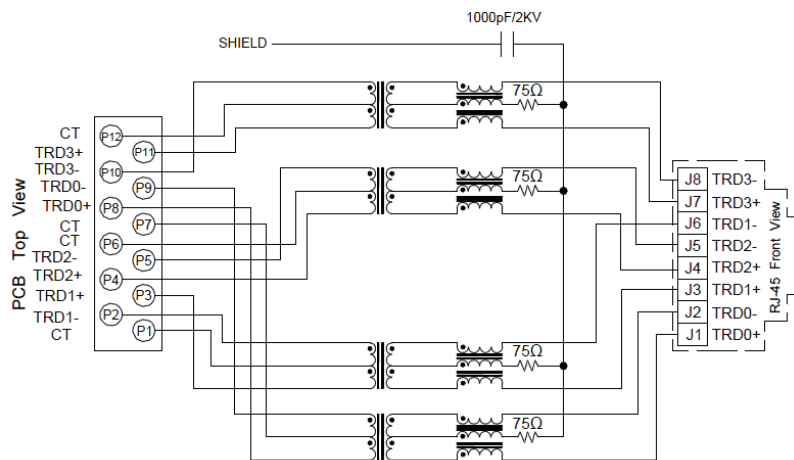
## APPLICATIONS:

- Supports 10G Base-T application
- Compatible with 1Gbps and 100Mbps data throughputs
- Designed for 10GBase-T Ethernet Switch, Servers, & Access Point Routers
- Compatible with most 10G PHY manufacturers

## STANDARD SPECIFICATIONS

Parameters	Minimum	Typical	Maximum	Units	Notes
Operating Temperature	0		+70	°C	
Storage Temperature	-40		+85	°C	
Turn Ratio (± 3%)	1CT:1CT				Tx
	1CT:1CT				Rx
Inductance (OCL)	120			μH	100KHz/0.1V@8mA
Insertion Loss			-2.0	dB	1-100MHz
			-3.0		100-400MHz
Return Loss	-13			dB	1-100MHz
	-10				100-200MHz
	-7				200-400MHz
	-6				400-500MHz
Cross Talk		-28		dB	1-100MHz
		-19			100-500MHz
DCMR		-30		dB	1-250MHz
		-22			250-500MHz
Hi-Pot	1500Vrms/1mA/1Sec				Pri to Sec

## SCHEMATICS



Standard LED	Wavelength	Forward*V(MAX)	TYP
Green	565nm	2.5v	2.2v
Yellow	585nm	2.5v	2.1v

With a forward current of 20mA

ABRACON IS  
ISO 9001:2008  
CERTIFIED

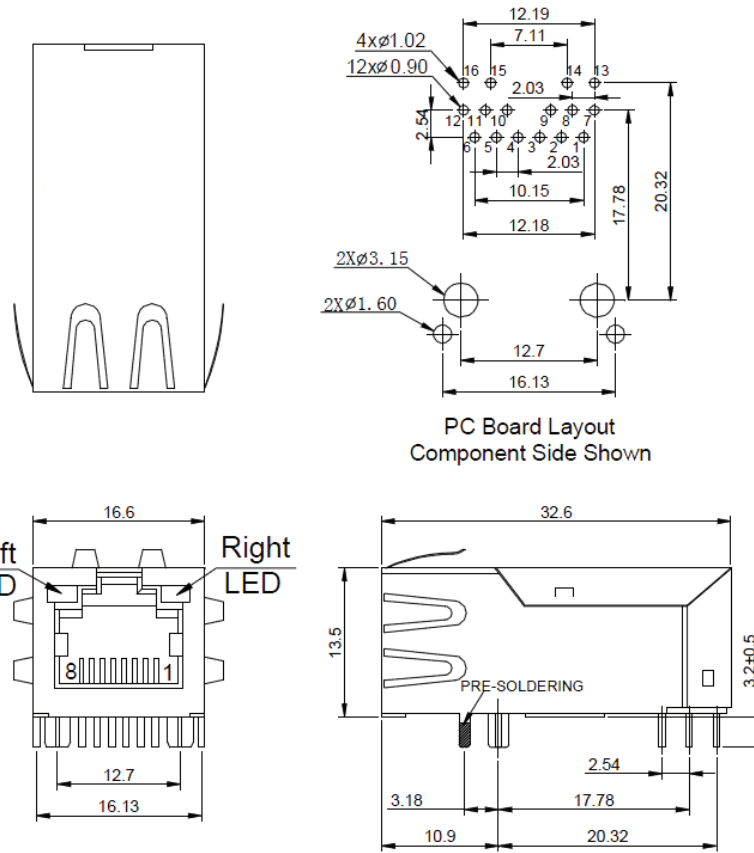


2 Faraday, Suite# B | Irvine | CA 92618 **Revised: 07.01.15**  
Ph. 949.546.8000 | Fax. 949.546.8001  
Visit [www.abracon.com](http://www.abracon.com) for Terms and Conditions of Sale



16.6 x 13.5 x 32.6 mm

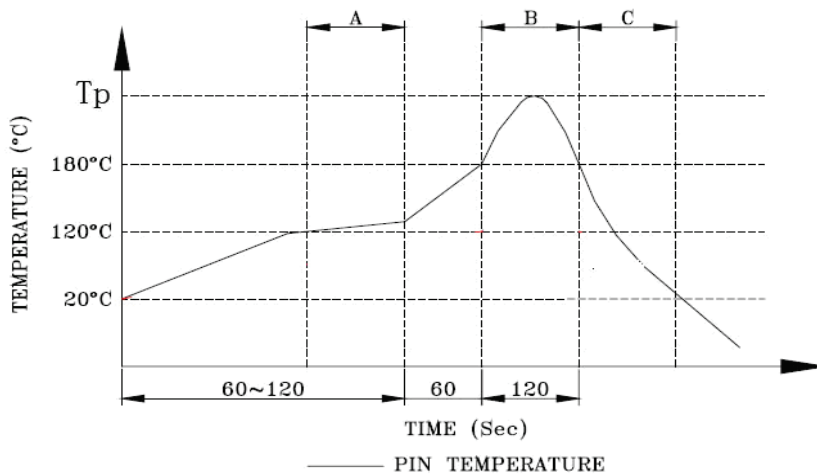
### MECHANICAL DIMENSIONS



PC Board Layout  
Component Side Shown

Dimensions: mm (Unless otherwise specified, all tolerances are  $\pm 0.25$ )

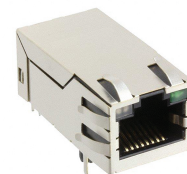
### WAVE SOLDERING PROFILE



A. Preheating B. Soldering C. Gradual Cooling

Peak temperature ( $T_p$ ) : 250 $\pm$  10 $^{\circ}$ C

Peak temperature ( $T_p$ ) time : 5sec max

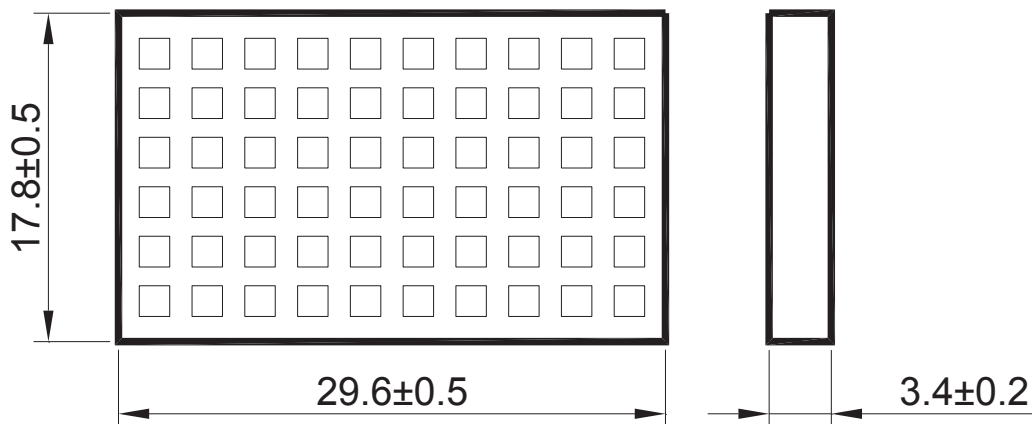


16.6 x 13.5 x 32.6 mm

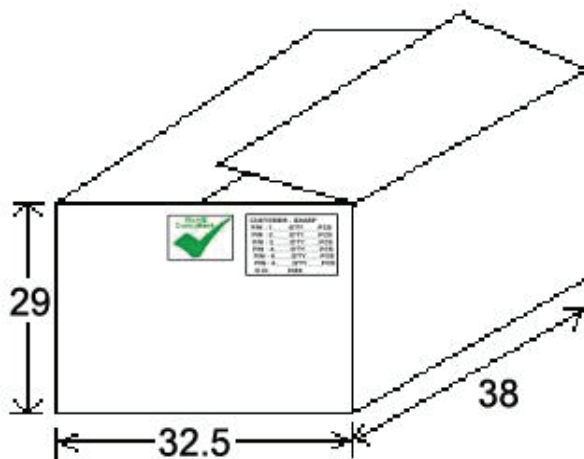
#### PACKING:

**Packaging 60pcs/tray**

**Packaging Material: PET**



**Outer carton unit (optional): 840 pcs/ 14 Trays/box**



**Dimensions: cm**

**ATTENTION:** Abracon Corporation's products are COTS – Commercial-Off-The-Shelf products; suitable for Commercial, Industrial and, where designated, Automotive Applications. Abracon's products are not specifically designed for Military, Aviation, Aerospace, Life-dependant Medical applications or any application requiring high reliability where component failure could result in loss of life and/or property. For applications requiring high reliability and/or presenting an extreme operating environment, written consent and authorization from Abracon Corporation is required. Please contact Abracon Corporation for more information.