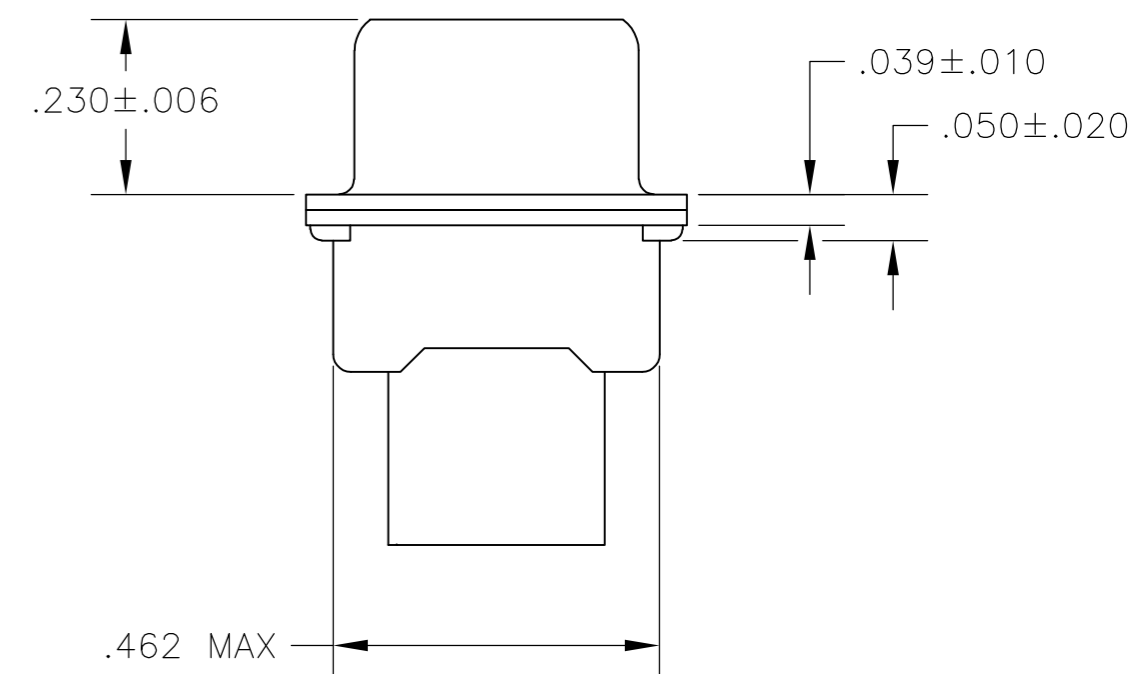
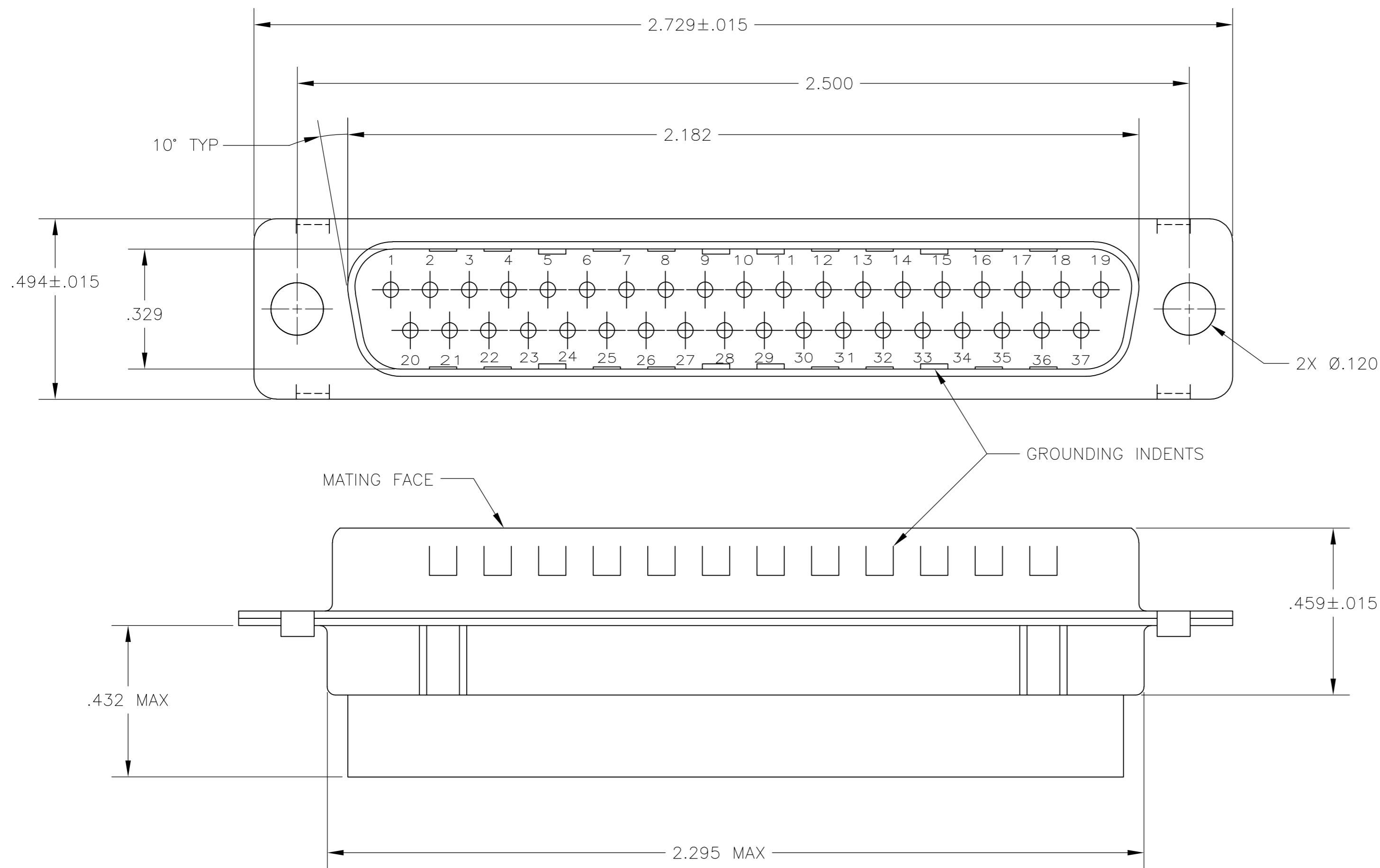


THIS DRAWING IS UNPUBLISHED. RELEASED FOR PUBLICATION
 © COPYRIGHT - By - ALL RIGHTS RESERVED.

LOC	DIST	REVISIONS					
GP	00	P	LTR	DESCRIPTION	DATE	DWN	APVD
		B		REVISED PER ECO-14-011808	12AUG2014	AP	SB



- CONNECTOR ACCEPTS SIZE 20 DF PIN CONTACTS, RETENTION TINES ARE AN INTEGRAL PART OF INSERT.
- CONNECTOR COMPLIES WITH 108-40005 WHERE APPLICABLE.
- MOLDED PARTS: GLASS-FILLED PBT OR GLASS-FILLED NYLON, UL94V-0 RATED. COLOR: BLACK.
- SHELL MATERIAL: STEEL PER ASTM A109.
- SHELL FINISH: TIN PLATE OVER COPPER UNDERPLATE.

747568-3
 PART NUMBER

THIS DRAWING IS A CONTROLLED DOCUMENT.		DWN C. VALENTINE 18NOV2009		
DIMENSIONS: INCHES		CHK C. ROHDE 18NOV2009		
TOLERANCES UNLESS OTHERWISE SPECIFIED:		APVD C. ROHDE 18NOV2009	NAME	
0 PLC ± -		PRODUCT SPEC	PLUG ASSEMBLY, SIZE 4, 37 POSN, HDP-20, AMPLIMITE FOR SHIELDING HARDWARE	
1 PLC ± -		APPLICATION SPEC	SIZE	CAGE CODE
2 PLC ± -			A2	00779
3 PLC ± .005			DRAWING NO	
4 PLC ± -			C=747568	
ANGLES ± 0° 30'			RESTRICTED TO	
FINISH		WEIGHT	-	
SEE NOTES		CUSTOMER DRAWING		SCALE NTS SHEET 1 of 1 REV B