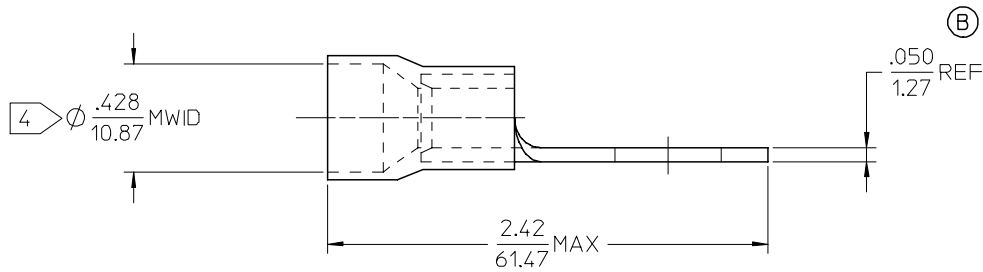
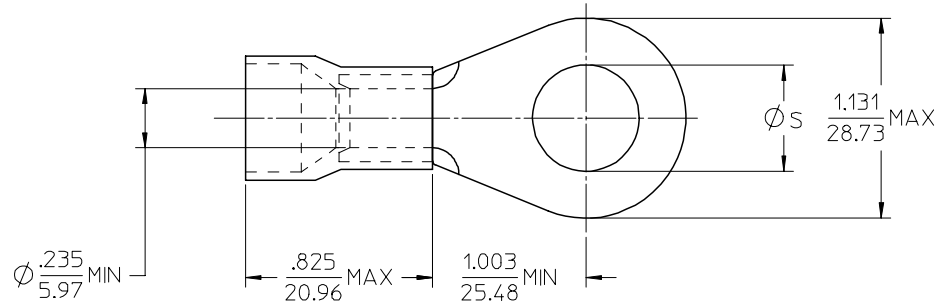


MATERIAL NO.	ENG. NO.	STUD SIZE	$\phi S \pm .005/0.13$
190670066	E-959-34	3/4	.781/19.84



NOTE(S):

1. TERMINAL MATERIAL: COPPER ALLOY.
2. TERMINAL FINISH: ELECTRO TIN PLATE.
3. INSULATION MATERIAL: NYLON, COLOR CODED BLUE.
- 4 MWID = MAXIMUM WIRE INSULATION DIAMETER.
5. ALL COMPONENTS ARE ROHS COMPLIANT.

REDWN & RDC MATL THKNS EC NO: ETC2007-0158 DRW: DRWNEHLE 2006/10/20 CHKD: JMACNEIL 2006/10/20 APPR: JMACNEIL 2006/10/20	QUALITY SYMBOLS ▽=0 ▽=0	GENERAL TOLERANCES (UNLESS SPECIFIED)		DIMENSION STYLE IN/MM	SCALE 4:1	DESIGN UNITS INCH	THIRD ANGLE PROJECTION	
		mm	INCH	DRAWN BY EHILE	DATE 2006/10/16	TITLE RING TONGUE TERMINAL, FUNNEL ENTRY, 6 AWG, NYLAKRIMP		
		4 PLACES ± ---	± ---	CHECKED BY JMACNEIL	DATE 2006/10/16	MATERIAL NO. SD-19067-015		
		3 PLACES ± ---	± ---	APPROVED BY JMACNEIL	DATE 2006/10/16	SHEET NO. 1 OF 1		
		2 PLACES ± ---	± ---	MOLEX INCORPORATED				
		1 PLACE ± ---	± ---	THIS DRAWING CONTAINS INFORMATION THAT IS PROPRIETARY TO MOLEX INCORPORATED AND SHOULD NOT BE USED WITHOUT WRITTEN PERMISSION				
		ANGULAR ± ---°						
		DRAFT WHERE APPLICABLE MUST REMAIN WITHIN DIMENSIONS						