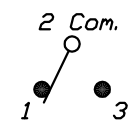
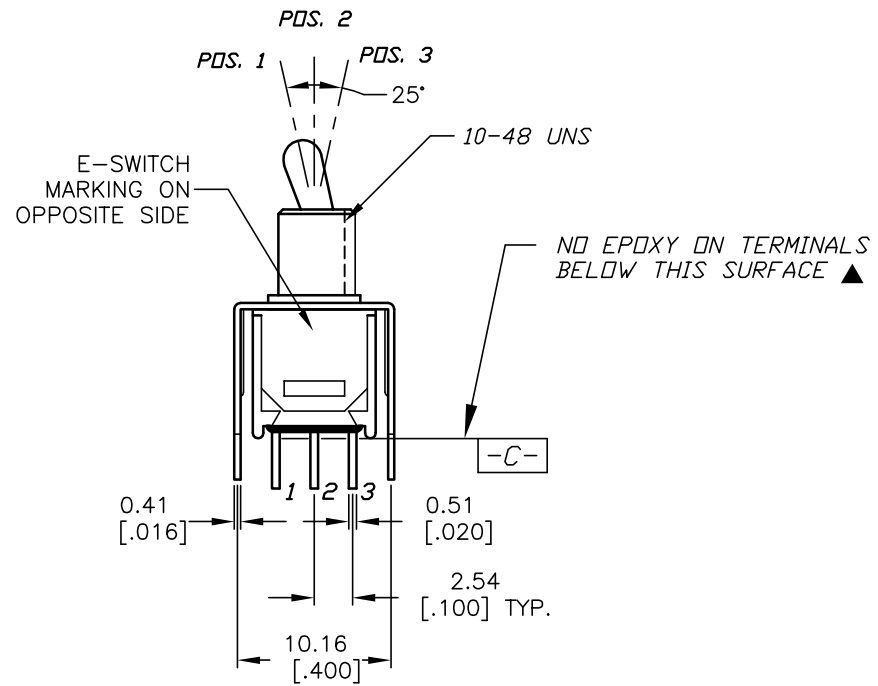
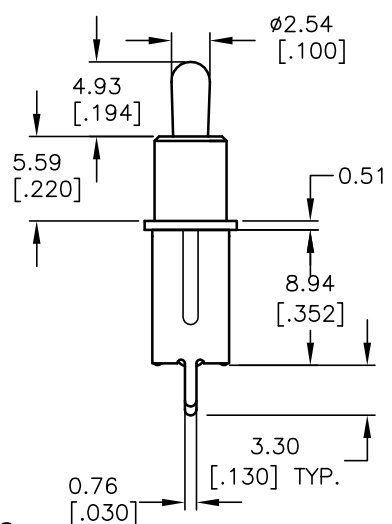


RECOMMENDED P.C.B. LAYOUT



CIRCUIT: SPDT CONTACT CONFIGURATION

SWITCH FUNCTION		
PDS. 1	PDS. 2	PDS. 3
DN	NONE	DN
2-3	OPEN	2-1

- NOTES:
1. ALL DIMENSIONS IN MM
 2. GENERAL TOLERANCE: X.X=±0.4
X.XX=±0.25
 3. TERM. NOS. FOR REF. ONLY
 4. CONTACT RATING: 0.4 (VA) MAX. @20 VAC OR DC MAX.
 - ▲ 5. FIXED TERMINAL & MOVING CONTACT: COPPER W/GOLD PLATE
 6. ELECTRIC LIFE: 30,000 MAKE-AND-BREAK CYCLES AT FULL LOAD.
 7. INSULATION RESISTANCE: 1,000 M OHM MIN.
 8. DIELECTRIC STRENGTH: 1,000 V RMS @SEA LEVEL.
 9. OPERATING TEMP.: -30°C to 85°C
 10. ▲DENOTES CRITICAL PARAMETER.

E-SWITCH®

TITLE: 200MSP1T2B4VS2RE

SCALE: 2:1	DATE: 6/21/95	DR: TW	DWG: T211015	REV: B
------------	---------------	--------	--------------	--------

B	--	UPDATE STANDARDS & REDRAWN	3/28/03	AR
A	--	RELEASED FOR PRODUCTION		
REV.	ECN No.	DESCRIPTION	DATE	CHKD

THE INFORMATION CONTAINED IN THIS DOCUMENT IS PROPRIETARY TO E-SWITCH AND IS NOT TO BE COPIED OR TRANSFERRED