



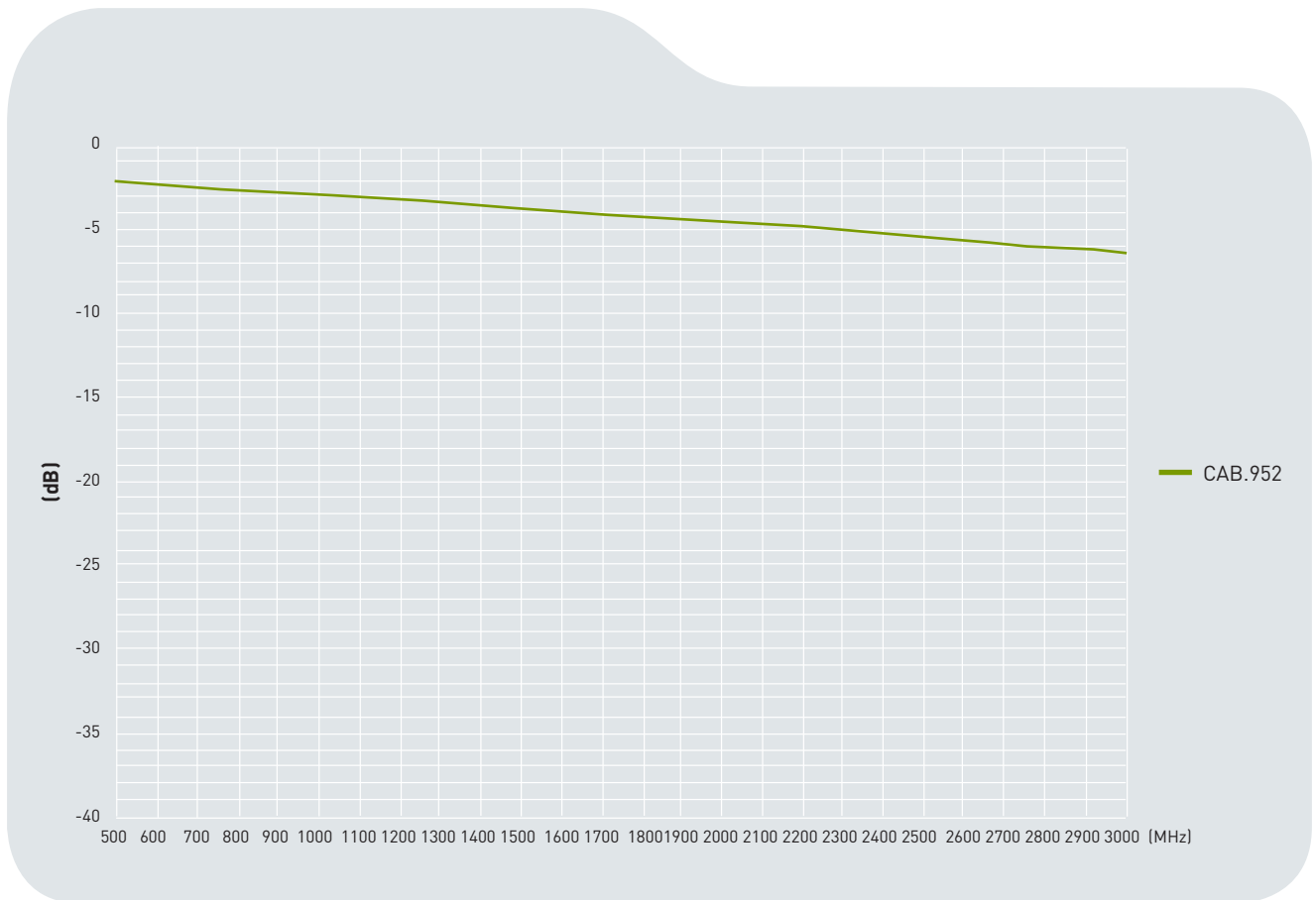
Close-up of CAB.952

CAB.952

Specification

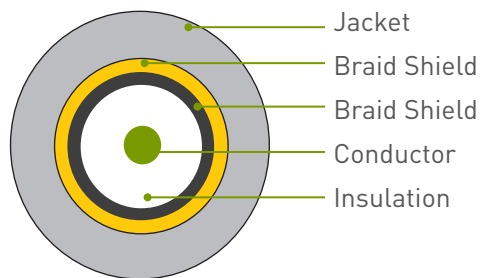
Part No.	CAB.952
Product Name	CAB.952 Taoglas Cable Assembly N Type Jack with O-Ring to 3000mm (9.84') RG-316 to SMA(M)

1. Cable Insertion Loss

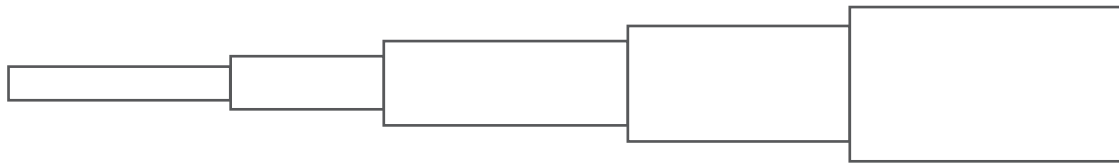


2. RG-316 Cable Specification

2.1 Drawing - Cross Section



2.2 Structure and Dimensions



Conductor	Insulation	Braid Shield	Braid Shield	Jacket
<ul style="list-style-type: none"> Material - Silver Coated Copper Clad Steel 26AWG (7/0.175mm) Diameter - 0.53mm 	<ul style="list-style-type: none"> Material - FEP Avg. Thickness - 0.51mm Diameter - 1.53±0.03mm Colour - Clear 	<ul style="list-style-type: none"> Material - Silver Coated Copper Structure - 16/5/0.10mm Coverage - 95% Diameter - 1.98±0.05mm 	<ul style="list-style-type: none"> Material - Silver Coated Copper Structure - 16/5/0.10mm Coverage - 86% Diameter - 2.38±0.05mm 	<ul style="list-style-type: none"> Material - FEP Avg. Thickness - 0.30mm Diameter - 2.90±0.10mm Colour - Brown

2.3 Electrical & Physical Specification

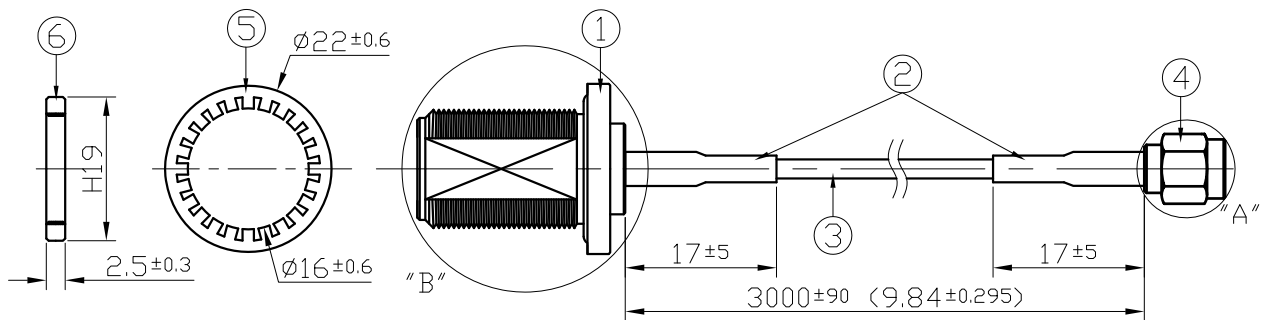
The Characteristic of RG316 Coaxial Cable

Rating Temp Voltage:	105°C 30V
Insulation Resistance:	3000 MΩ-Km (Min)
Conductor Resistance:	302 Ω/Km 20°C (Max)
Dielectric Strength:	AC 1 KV/Minute
Spark Test	5.0 KV
Nom. Impedance	50 ± 3 Ω
Nom. Capacitance	95.8 ± 3 pF/m
Nom. Vel. of Prop.	69%
VSWR (0-6 GHz)	Max 1.3

Attenuation (dB / 3M)	500MHz	1GHz	1.5GHz	2GHz	2.5GHz	3GHz
	1.8	2.6	3.2	3.7	4.2	4.6

3. Technical Drawing

3.1 CAB.952



	Name	Material	Finish	QTY
1	N Type(F)ST	Brass	Ni Plated	1
2	Heat Shrink Tube (RG-316)	PE	Black	2
3	RG-316 Coaxial Cable	FEP	Brown	1
4	SMA(M)ST	Brass	Gold	1
5	Washer	Brass	Ni Plated	1
6	Nut	Brass	Ni Plated	1

3.2 Connectors

