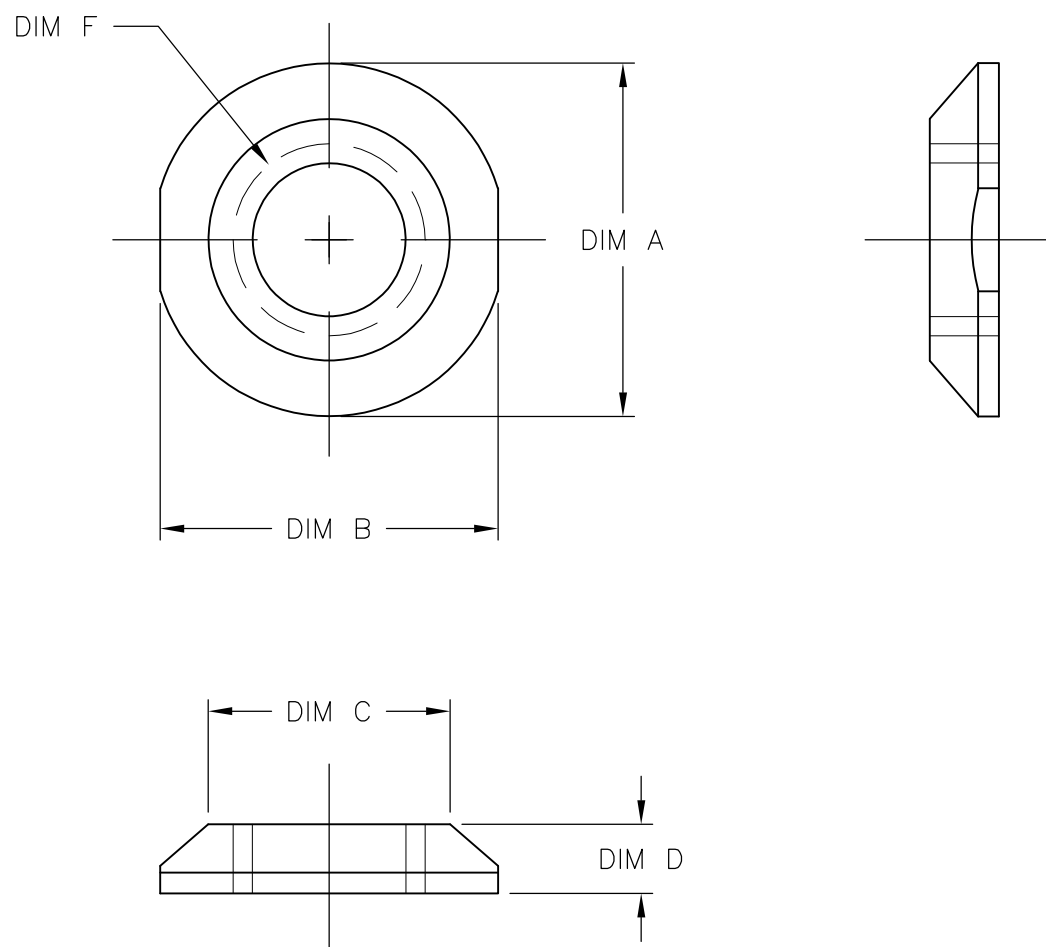


THIS DRAWING IS UNPUBLISHED. RELEASED FOR PUBLICATION
 © COPYRIGHT - BY TYCO ELECTRONICS CORPORATION. ALL RIGHTS RESERVED.

LOC	DIST	REVISIONS			
P	LTR	DESCRIPTION	DATE	DWN	APVD
FT	0	A	REVISED PER ECO-07-000541	1/17/07	SS MW

- ① MATERIAL: BRASS.
- ② FINISH: NICKEL PLATE .0002 THK MIN.



15/32-32 UNS-2B	.170	.512	.551	.630	N3504	1825621-2
1/4-40 UNS-2B	.090	.315	.440	.460	N304	1825621-1
DIM E	DIM D	DIM C	DIM B	DIM A	ALCO PART NUMBER	TYCO PART NUMBER

THIS DRAWING IS A CONTROLLED DOCUMENT.		DWN S SCHLEGEL 17JAN2007	tyco Tyco Electronics Corporation Harrisburg, PA 17105-3608			
DIMENSIONS: INCHES		CHK M WILBOURN 1/17/07	NAME DECORATIVE MOUNTING NUT			
TOLERANCES UNLESS OTHERWISE SPECIFIED:		APVD M WILBOURN 1/17/07	PRODUCT SPEC -			
0 PLC ± - 1 PLC ± - 2 PLC ± - 3 PLC ± - 4 PLC ± - ANGLES ± -		APPLICATION SPEC -		SIZE A3	CAGE CODE 00779	DRAWING NO C-1825621
MATERIAL - ①		FINISH - ②		WEIGHT -		RESTRICTED TO -
CUSTOMER DRAWING				SCALE 4:1	SHEET 1 OF 1	REV A