

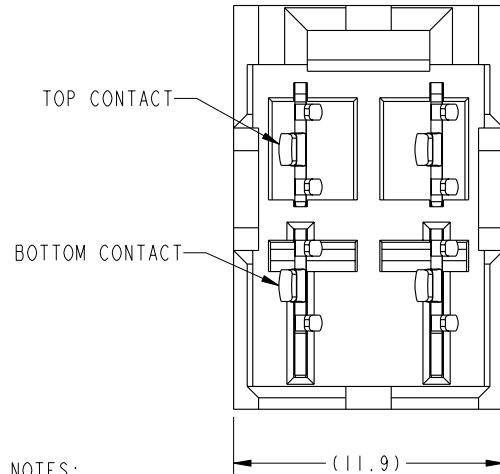
PRODUCT NUMBER (SEE NOTE 7)	CONTACT PLATING		ROHS COMPATIBILITY
	SEPARABLE INTERFACE	PRESS-FIT TAIL	
	10009542-001 10009542-001LF	0.76 μ m MIN GOLD OVER NICKEL	
			N/A SEE NOTE 8

A

B

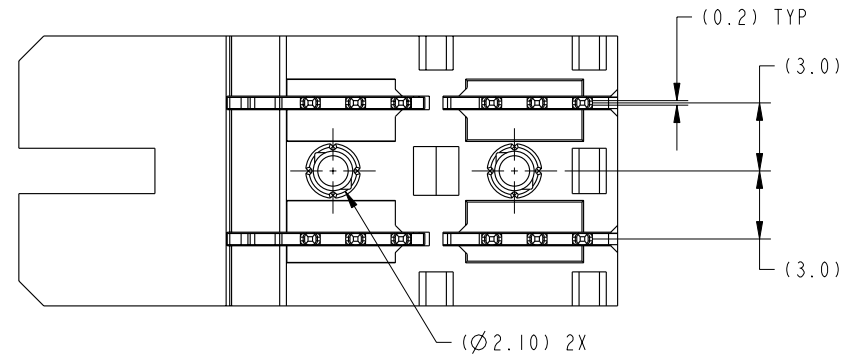
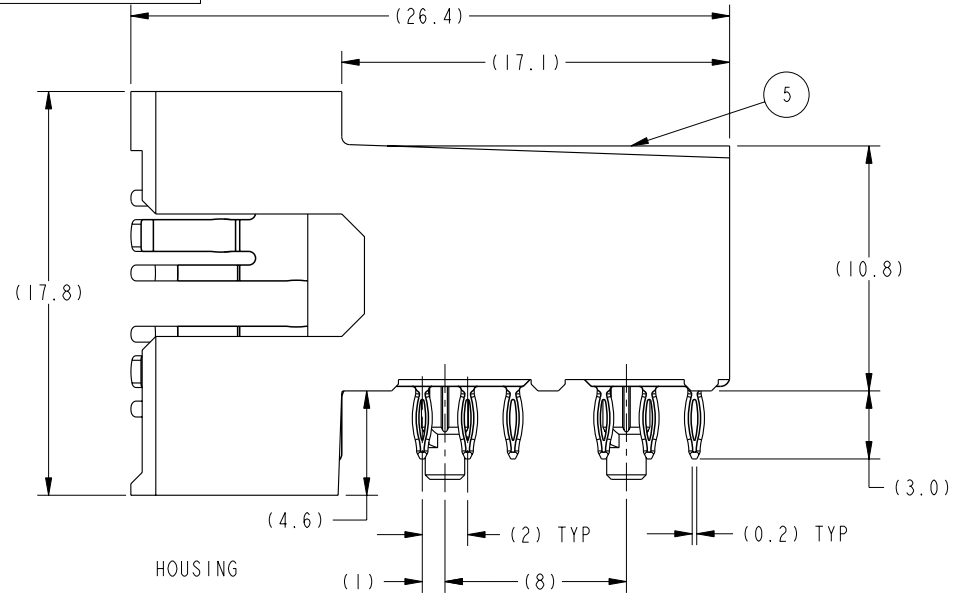
C

D



NOTES:

1. CONNECTOR MATERIALS:
HOUSING: HI TEMP THERMOPLASTIC, BLACK, UL94V-0 COMPLIANT.
CONTACT: HIGH PERFORMANCE COPPER ALLOY
2. CONTACT PLATING:
PRESS-FIT TAIL: 0.5-1.5 μ m TIN-LEAD OVER NICKEL (LEADED)
: 0.5-1.5 μ m MATTE TIN OVER NICKEL (LEAD FREE)
SEPARABLE INTERFACE: 0.76 μ m MIN GOLD OVER NICKEL
3. PRODUCT SPECIFICATION: GS-12-220
4. APPLICATION SPECIFICATION: GS-20-023
5. PRODUCT MARKING (PRODUCT NUMBER & LOT CODE) ON THIS SURFACE.
6. INDICATED HOLES ARE UNPLATED.
7. "LF" SUFFIX DENOTES LEAD FREE PLATING.
8. PRODUCT MEETS EUROPEAN UNION DIRECTIVES AND OTHER COUNTRY REGULATIONS AS DESCRIBED IN FCI SPECIFICATION GS-22-008.
9. PACKAGING MEETS FCI SPECIFICATION GS-14-920.
10. COPPER PLATING THICKNESS AT CENTER OF VIA HOLE CAN BE NO MORE THAN 0.003 LESS THAN OTHER AREAS.



www.fciconnect.com		surface ASME Y14.5	tolerance std ASME Y14.5	projection	MM
		TOLERANCES UNLESS OTHERWISE SPECIFIED			Scale 1:1
Dr	T. BRUNGARD	2002-07-15	ANGULAR	0.X ±.3	size A4
Eng	ANDREW YONG	2010-05-11	LINEAR	0.XX ±.13	ECN S10-0086
Chr	C.H. TAN	2010-05-11	0° ±2°	0.XXX ±.051	Spec ref GS-12-220
Appr	JOEY NG	2010-05-11	Product family 2 mm HIGH POWER		
FCI		2 X 2 HEADER		dwg no	10009542
		ASSEMBLY, PRESS-FIT		Customer	Rev. F
		catalog no		sheet 1 of 2	

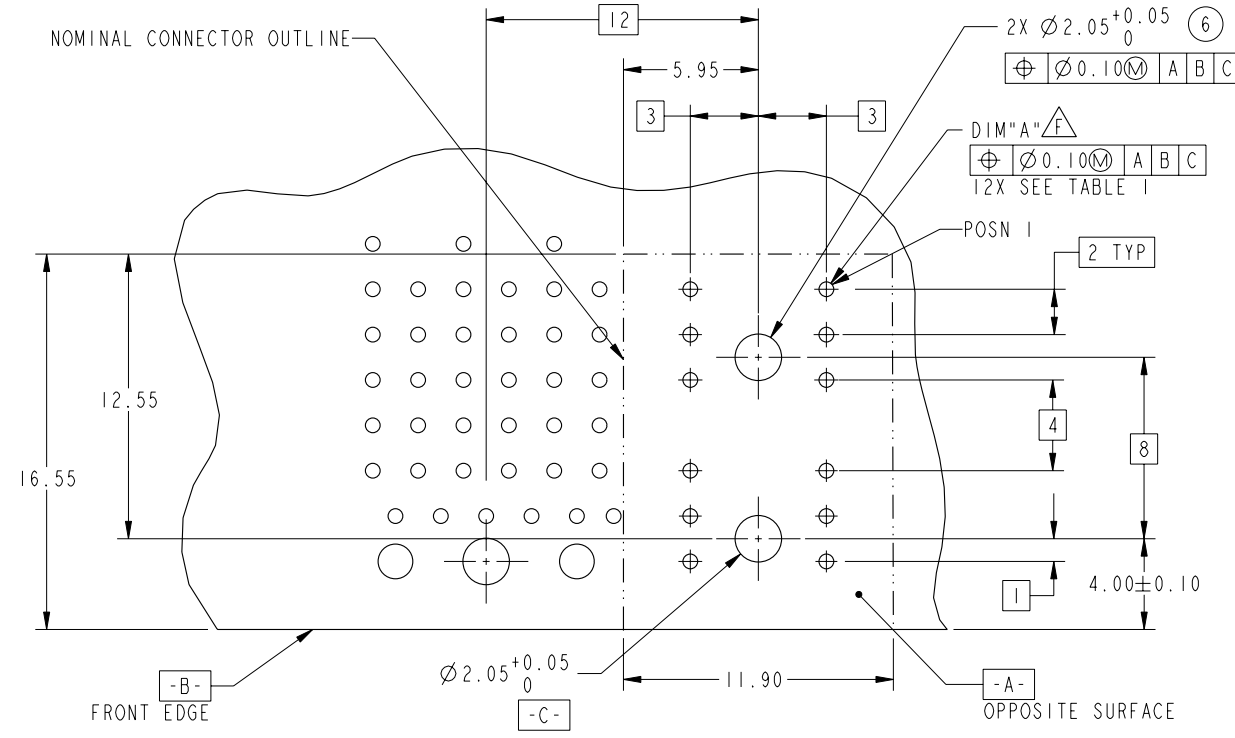
1

2

3

4

TOP LAYER DESCRIPTION	TABLE 1 PLATED THROUGH-HOLE REQUIREMENTS							
	DRILLED HOLE DIAMETER	COPPER THICKNESS	TIN-LEAD THICKNESS	NICKEL THICKNESS	GOLD THICKNESS	TIN THICKNESS	SILVER THICKNESS	FINISHED HOLE DIAMETER (DIM "A") ^F
TIN-LEAD	0.81-0.86 (0.85 DRILL)	0.025 - 0.050	0.005 - 0.015	--	--	--	--	0.65 - 0.80
IMMERSION TIN	0.81-0.86 (0.85 DRILL)	0.025 - 0.050	--	--	--	0.9 - 1.5 um	--	0.70 - 0.80
IMMERSION SILVER	0.81-0.86 (0.85 DRILL)	0.025 - 0.050	--	--	--	--	0.15 - 0.65 um	0.70 - 0.80
COPPER (SEE NOTE 10)	0.81-0.86 (0.85 DRILL)	0.025 - 0.050	--	--	--	--	--	0.70 - 0.80
GOLD	0.81-0.86 (0.85 DRILL)	0.025 - 0.050	--	0.003 - 0.007	FLASH UP TO 0.0002	--	--	0.69 - 0.80



RECOMMENDED PCB LAYOUT,
COMPONENT SIDE
(SHOWN BESIDE A 5 ROW METRAL 1000 RECEPTACLE)



Copyright FCI.

	TITLE	2 X 2 HEADER ASSEMBLY, PRESS-FIT	dwg no 10009542	Rev. F
	CATALOG NO			