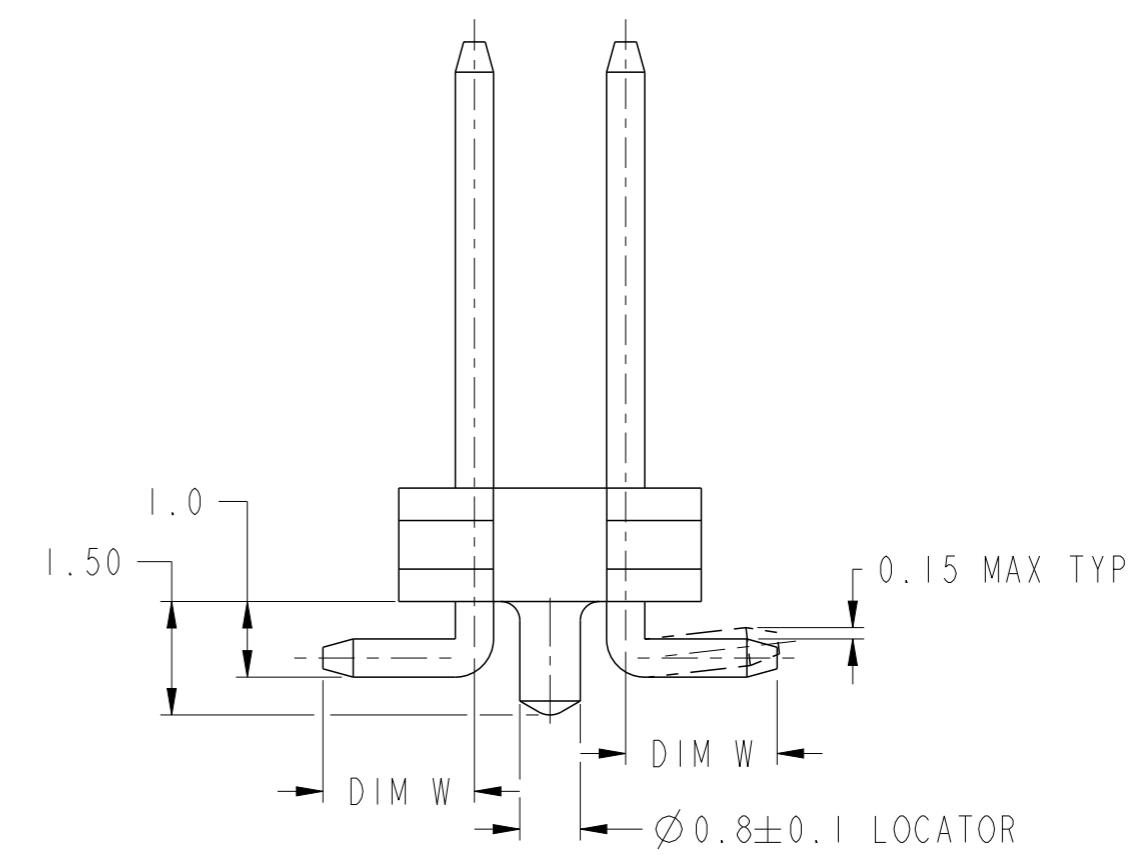
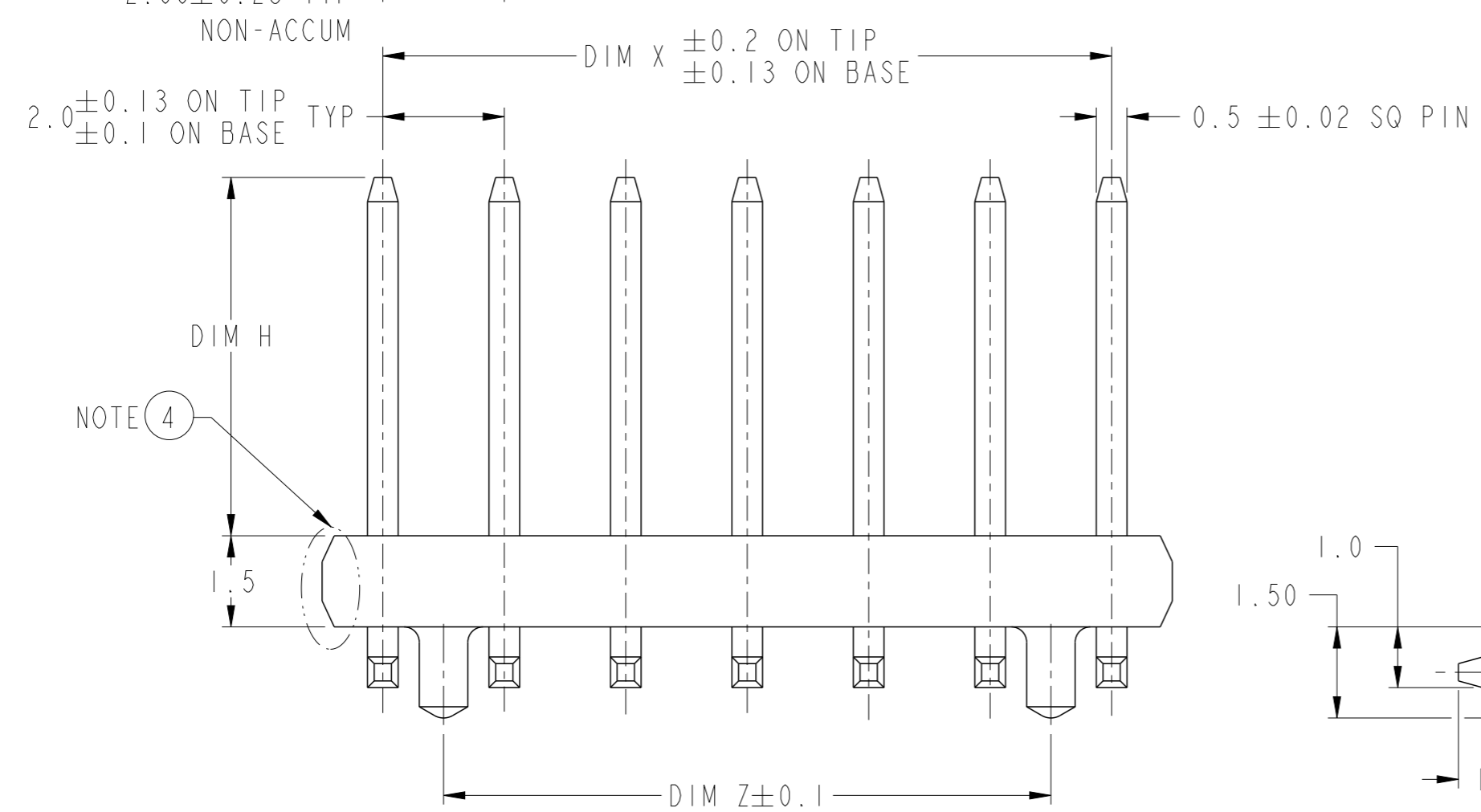
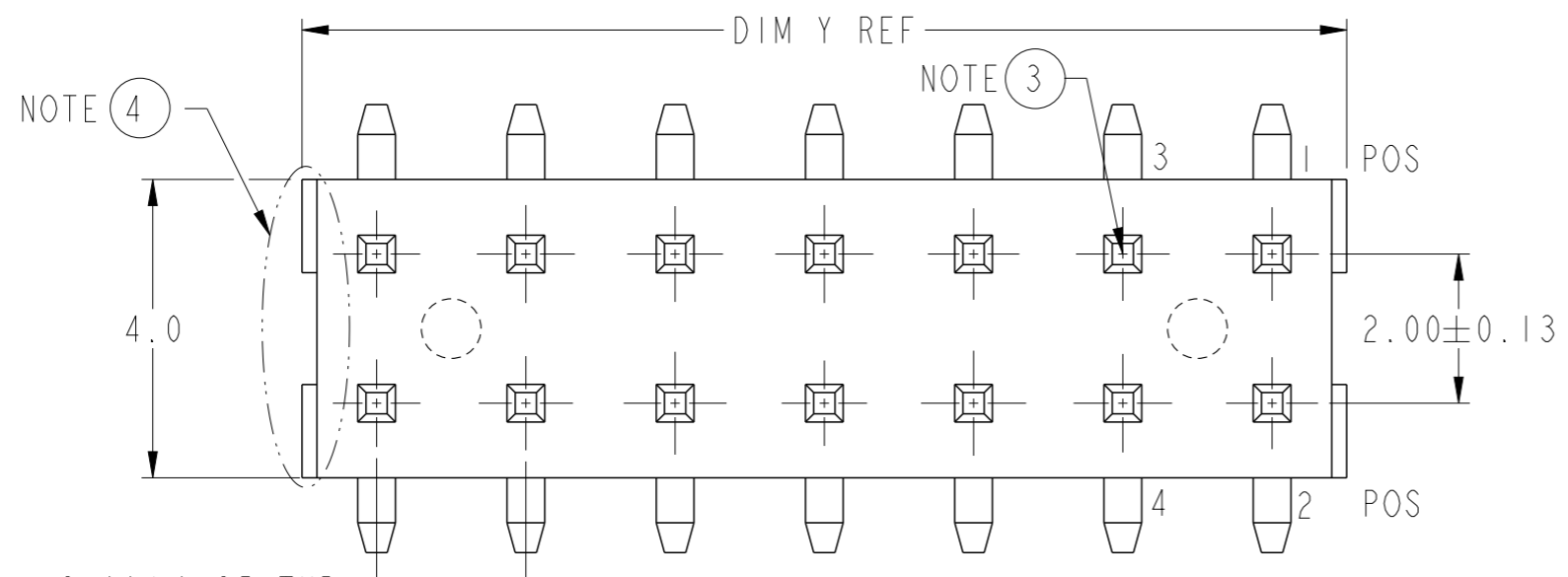




Copyright FCI.



spec ref	-	dr	Andrew Yong	2010/10/21	projection	MM	size	A3	scale	10:1	
tolerance std	ISO 406 ISO 1101	eng	Tim Yang	2015/03/23			ecn no	ELX-N-20447-1			
	TOLERANCES UNLESS OTHERWISE SPECIFIED	chr	-				rel level	Released			
surface	ISO 1302	appr	Tim Yao	2015/03/24	product family	MINITEK	dwg no	91753		rev	AF
	linear										
	angular										
	0.X	± -									
	0.XX	± 0.25									
	0.XXX	± -									
	0°	± °									
		www.fci.com		cat. no.	-	Product - Customer Drw		sheet 1 of 3			

PRODUCT NO.	POS	DIM X	DIM Y	DIM Z	DIM H	DIM W	POL. POS	PLATING	MAT'L
91753-001	2X22	42	44	40	4.0	2.0	-	0.76µm MIN GXT	SEE NOTE ①
-002	2X11	20	22	18	2.7	2.0	-	0.38µm MIN Au	▲
-003	2X12	22	24	20	4.0	2.4	-	0.76µm MIN GXT	
-004	2X14	26	28	24	4.0	2.0	-	0.76µm MIN GXT	
-005	2X14	26	28	24	5.0	2.0	-	0.76µm MIN GXT	
-006	2X7	12	14	10	5.9	2.0	-	0.76µm MIN GXT	
-007	2X3	4	6	2	4.0	2.0	-	0.76µm MIN GXT	
-008	2X22	42	44	40	4.0	2.0	20	0.76µm MIN GXT	
-009	2X10	18	20	16	4.0	2.0	-	0.38µm MIN GXT	
-010	2X10	18	20	16	4.5	2.0	-	0.38µm MIN GXT	
-011	2X8	14	16	12	5.9	2.0	-	0.76µm MIN GXT	
-012	2X15	28	30	26	5.0	2.0	-	0.76µm MIN GXT	
-013	2X25	48	50	46	5.0	2.0	-	0.76µm MIN GXT	
-014	2X16	30	32	28	4.5	2.0	-	0.76µm MIN GXT	
-015	2X8	14	16	12	4.0	2.0	-	0.38µm MIN GXT	
-016	2X15	28	30	26	4.0	2.0	-	0.38µm MIN GXT	
-017	2X7	12	14	10	4.5	2.0	-	0.76µm MIN GXT	▼
-018	2X4	6	8	4	9.4	2.0	-	0.38µm MIN GXT	SEE NOTE ①
-019	2X4	6	8	4	4.0	2.0	-	CONTACT;0.05µm MIN. Au TAIL:2.54µm MIN.matte Sn	SEE NOTE ①
-020	2X11	20	22	18	4.0	2.0	-	CONTACT;0.05µm MIN. Au TAIL:2.54µm MIN.matte Sn	SEE NOTE ①
-021	2X7	12	14	10	4.0	2.0	-	CONTACT;0.38µm MIN. Au TAIL:2.54µm MIN.matte Sn	SEE NOTE ①
-022	2X11	20	22	18	4.0	2.0	-	CONTACT;0.38µm MIN. Au TAIL:2.54µm MIN.matte Sn	SEE NOTE ①
-023	2X9	16	18	14	4.0	2.0	-	CONTACT;0.38µm MIN. Au TAIL:2.54µm MIN.matte Sn	SEE NOTE ①
-024	2X6	10	12	8	4.0	2.0	-	CONTACT;0.38µm MIN. GXT TAIL:2.54µm MIN.matte Sn	SEE NOTE ①

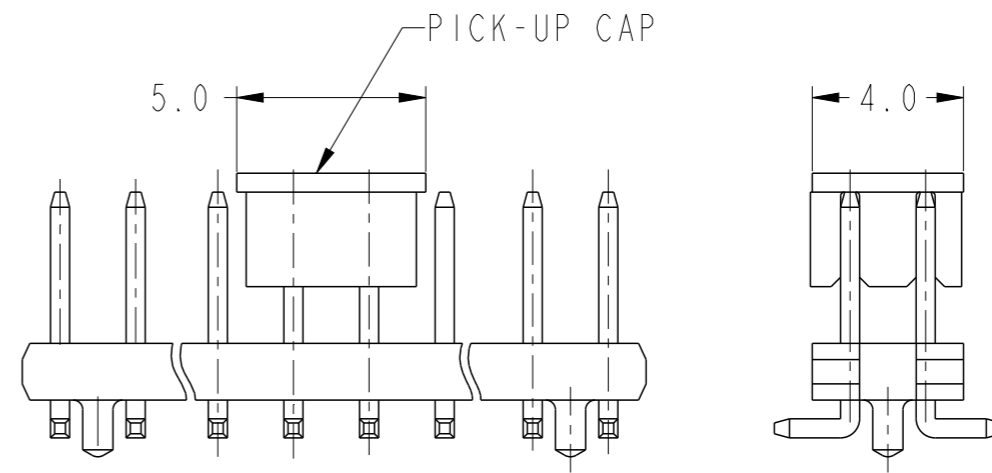


Copyright FCI.

spec ref	-	dr	Andrew Yong	2010/10/21	projection	MM	size	A3	scale	10:1	
tolerance std	ISO 406 ISO 1101	eng	Tim Yang	2015/03/23			ecn no	ELX-N-20447-1			
TOLERANCES UNLESS OTHERWISE SPECIFIED		chr	-	-			product family	MINITEK		rel level	Released
surface	linear	appr	Tim Yao	2015/03/24				product family	MINITEK		
ISO 1302	angular			MNITEK II SMT STR HEADER WITH LOC			dwg no	91753		rev	AF
		www.fci.com		cat. no.	-			Product - Customer Drw		sheet 2 of 3	

NOTES:

1. MATERIAL:
 BODY : GLASS FILLED PCT UL 94V-0 NATURAL (BEIGE)
 PIN : PHOSPHOR BRONZE
2. TOLERANCE UNLESS OTHERWISE NOTED ± 0.25
3. POLARISED BY OMISSION OF PINS. REFER TO TABLE FOR POSITION.
4. ALTERNATE DESIGN OF BOTH ENDS. REFER TO FIG 1.
5. STANDARD PACKAGING IN POLYTHENE BAG. FOR TUBE PACKAGING, QUOTE P/N 91753-XXXT.
6. 91753-XXXTR PACKED IN TAPE AND REEL WITH PICK-UP CAP INSTALLED. SEE FIG 2.
7. PRODUCT DESCRIPTION CODE:
 XXXXX-XXXLF
 LEAD FREE. SEE NOTE 9
 EXTENSION NUMBER
 BASE NUMBER
8. THE HOUSING WILL WITHSTAND EXPOSURE TO 250°C PEAK TEMPERATURE FOR 10 SECONDS IN A CONVECTION, INFRA-RED OR VAPOR PHASE REFLOW OVEN.
9. THIS PRODUCT MEETS EUROPEAN UNION DIRECTIVES AND OTHER COUNTRY REGULATIONS AS DESCRIBED IN GS-22-008.



SCALE 5:1

FIG. 2
NOTE 6

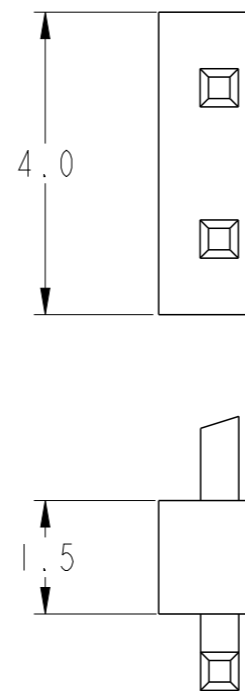
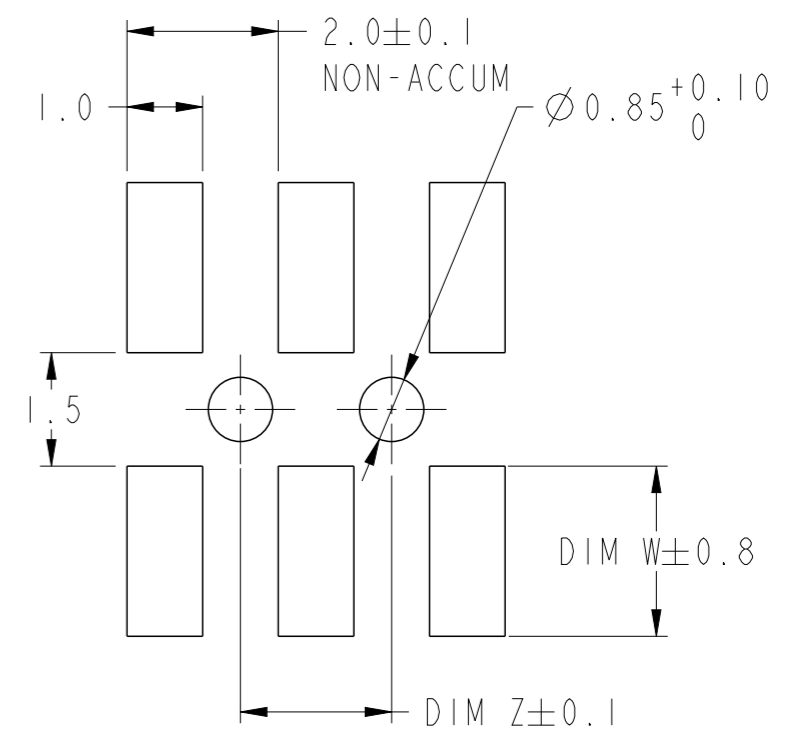


FIG. 1
NOTE 4



RECOMMENDED PAD LAYOUT

spec ref	-	dr	Andrew Yong	2010/10/21	projection	MM	size	A3	scale	10:1	
tolerance std	ISO 406 ISO 1101	eng	Tim Yang	2015/03/23			ecn no	ELX-N-20447-1			
TOLERANCES UNLESS OTHERWISE SPECIFIED		chr	-	-			product family	MINITEK	rel level	Released	
surface	ISO 1302	appr	Tim Yao	2015/03/24			title	MNITEK II SMT STR		rev	AF
	linear	0.X	±-				dwg no	91753			
		0.XX	±0.25					Product - Customer Drw		sheet 3 of 3	
	angular	0°	±°					Product - Customer Drw		sheet 3 of 3	



Copyright FCI.