

4

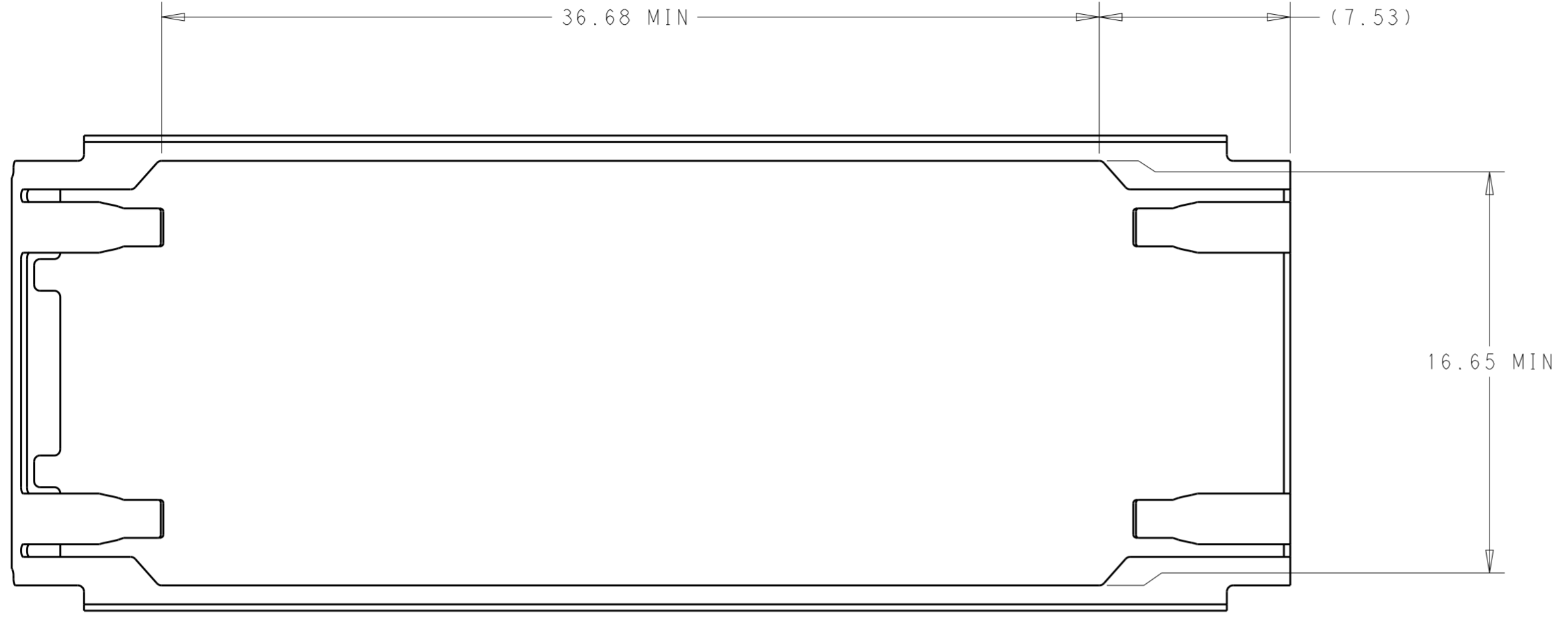
3

2

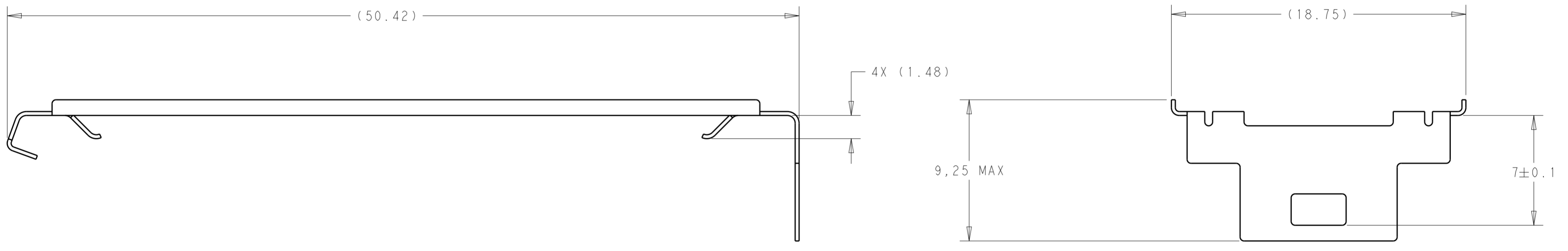
1

THIS DRAWING IS UNPUBLISHED. RELEASED FOR PUBLICATION  
 © COPYRIGHT - BY TYCO ELECTRONICS CORPORATION ALL RIGHTS RESERVED.

LOC	DIST	REVISIONS					
GP	00	P	LTR	DESCRIPTION	DATE	DWN	APVD
		A		RELEASED PER ECO-13-000076	17JAN2013	CJV	EDB



△ MATERIAL: 0.25±0.1 THICK PASSIVATED STAINLESS STEEL.



2173234-1  
PART NUMBER

THIS DRAWING IS A CONTROLLED DOCUMENT. DIMENSIONING AND TOLERANCING PER ASME Y14.5M-2009		DWN J. V. D. HEIJDEN 12AUG2011	<b>STE</b> TE Connectivity	
DIMENSIONS: mm		CHK R. VERBEET 12AUG2011		
TOLERANCES UNLESS OTHERWISE SPECIFIED:		APVD I. D. BOER 15AUG2011	NAME HEAT SINK CLIP, zQSFP+	
0 PLC ±	1 PLC ±	PRODUCT SPEC 108- - - -	SIZE CAGE CODE DRAWING NO RESTRICTED TO	
2 PLC ±	3 PLC ±	APPLICATION SPEC 114- - - -	A200779 C-2173234	
4 PLC ±	ANGLES ±	WEIGHT -	SCALE 5:1 SHEET 1 OF 1 REV A	
MATERIAL △ 1 -	FINISH -	CUSTOMER DRAWING		