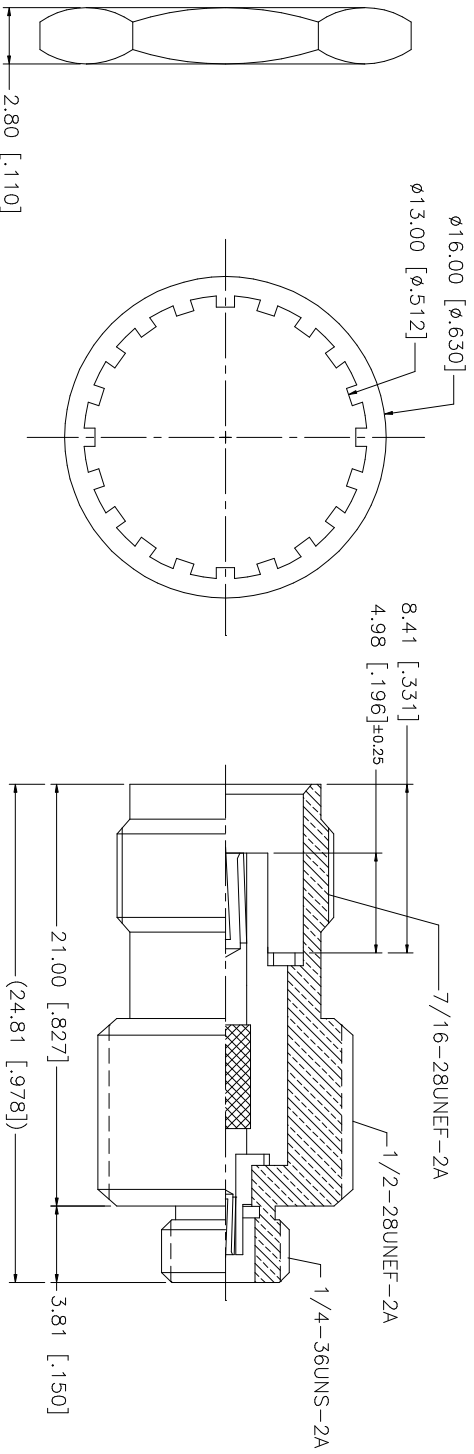


REV.	DATE	DESCRIPTION
A	12/05/02	ADD 1/4-36UNS-2A MATING FACE
B	01/29/03	MODIFY OVERALL BODY DIMENSIONS
C	03/18/04	ADD LOCK RING DIMENSION



NOTES:

1. MAX. PANEL THICKNESS = 6.5mm

NO.	DESCRIPTION	MATERIAL	FINISH	QTY	UNLESS OTHERWISE SPECIFIED DIMENSIONS ARE IN INCHES AND FOR CUSTOMER REFERENCE ONLY. TOLERANCES FOR MILLIMETERS ARE: 0.5 - 8mm ± 0.20mm 8 - 30mm ± 0.40mm 30 - 120mm ± 0.50mm UNLESS OTHERWISE SPECIFIED DIMENSIONS FOR INCHES ARE: .020 - .315 = ± 0.007" .315 - 1.180 = ± 0.015" 1.180 - 4.724 = ± 0.020"	APPROVALS	DATE	PART DESCRIPTION							
8								<p style="text-align: center;">Amphenol Connex</p> <p style="text-align: center;">PART DESCRIPTION</p> <p style="text-align: center;">TNC BULKHEAD JACK TO MCX JACK ADAPTER</p> <p>PART NO. 242190</p>							
7	LOCK RING	BRASS	NICKEL	1		DRAWN	G.R.S.		03/18/04						
6	HEX NUT	BRASS	NICKEL	1		CHECKED									
5	LOCK WASHER	BRASS	NICKEL	1		ISSUED									
4	INSULATOR	TEFLON	NATURAL	1		SHEET	1 OF 1								
3	CONTACT PIN	BER. COPPER	GOLD	1											
2	BODY	BRASS	GOLD	1											
1	DESCRIPTION	MATERIAL	FINISH	QTY	DO NOT SCALE DRAWING	CAD FILE	C:/242/242190.DWG		DWG. NO.	242190.DWG	REV.	C	SIZE	A	SCALE