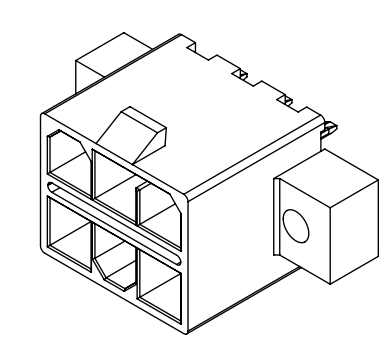
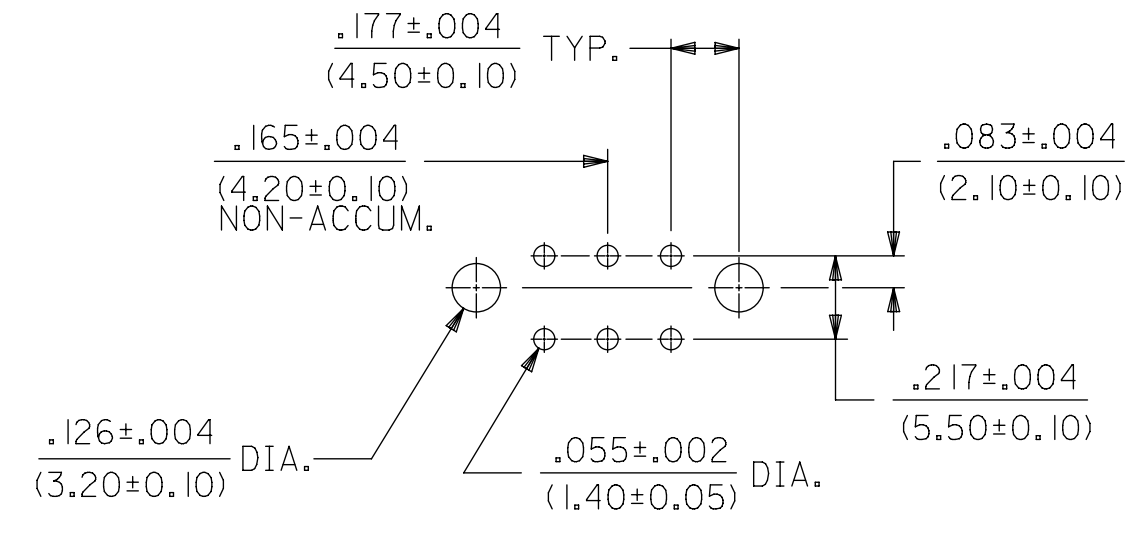


FLANGE MOUNT

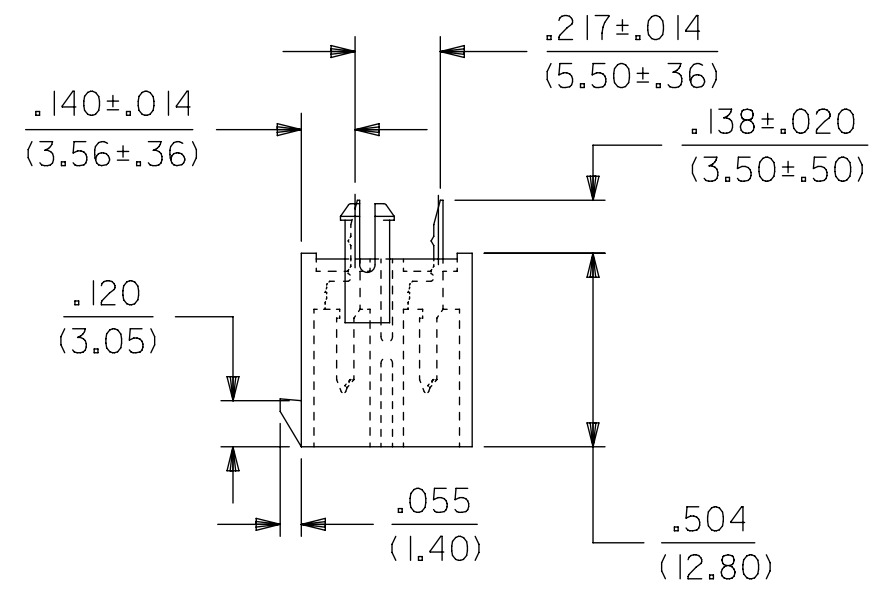
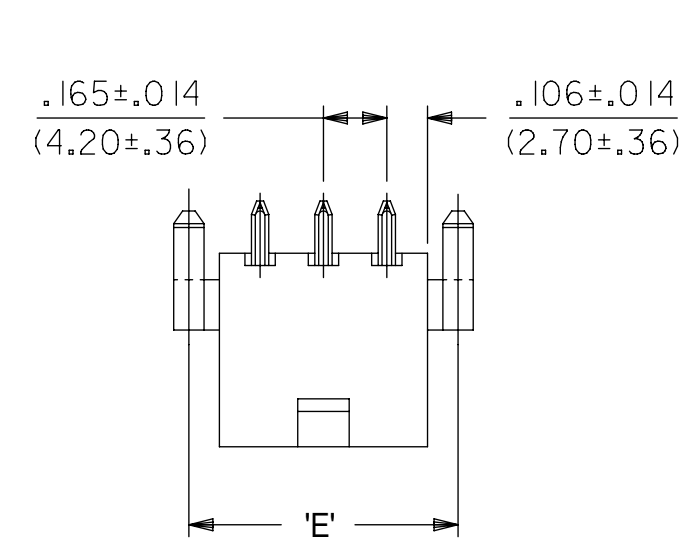
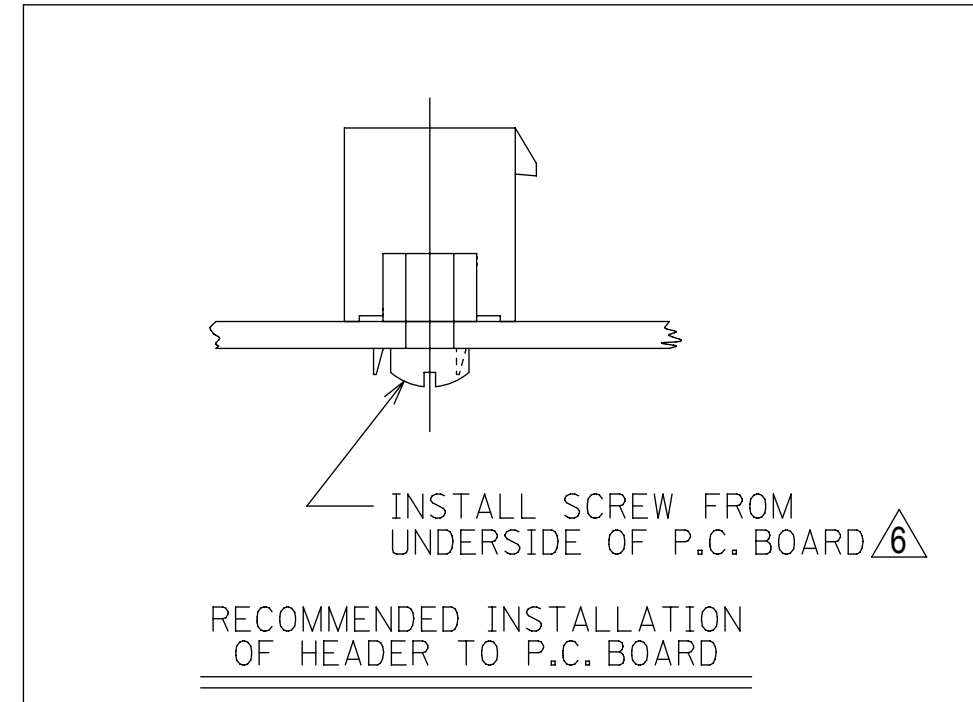


NOTES:

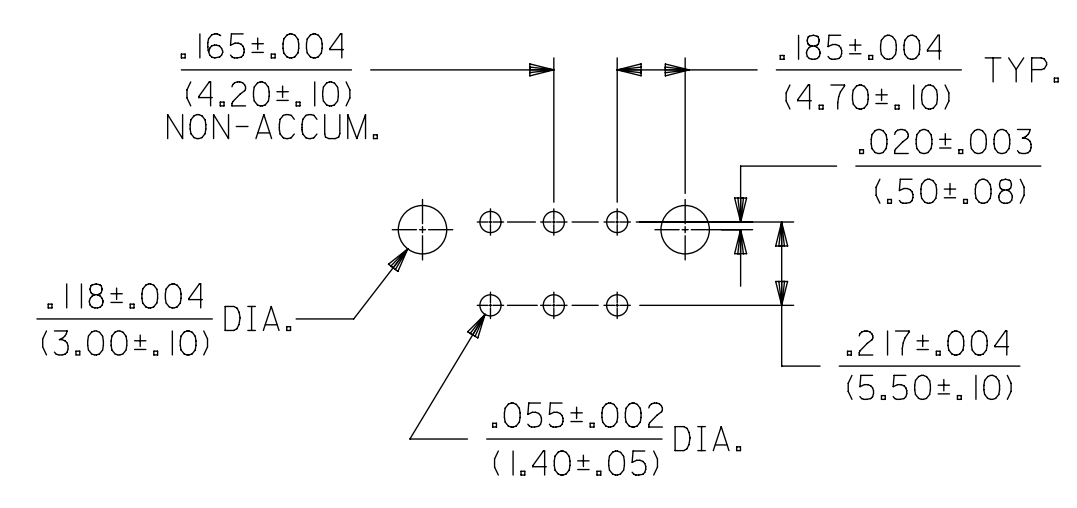
- HOUSING MAT'L.: POLYESTER, UNFILLED, 94V-0. COLOR: BLACK. TERMINAL MATERIAL: BRASS ALLOY
- PLATINGS: .000100/.00254 MIN. BRIGHT TIN OVER .000050/.00124 MIN. NICKEL.
- PRODUCT SPECIFICATION: SEE PS-5556-003
- PACKAGING SPECIFICATION: PK-30069-001.
- PART MATES WITH RECEPTACLE 30067-*
- PART IS DESIGNED FOR USE WITH #4 OR M3 SELF TAPPING SCREWS.
- PART CONFORMS TO CLASS "B" REQUIREMENTS OF COSMETIC SPECIFICATION PS-45499-002.



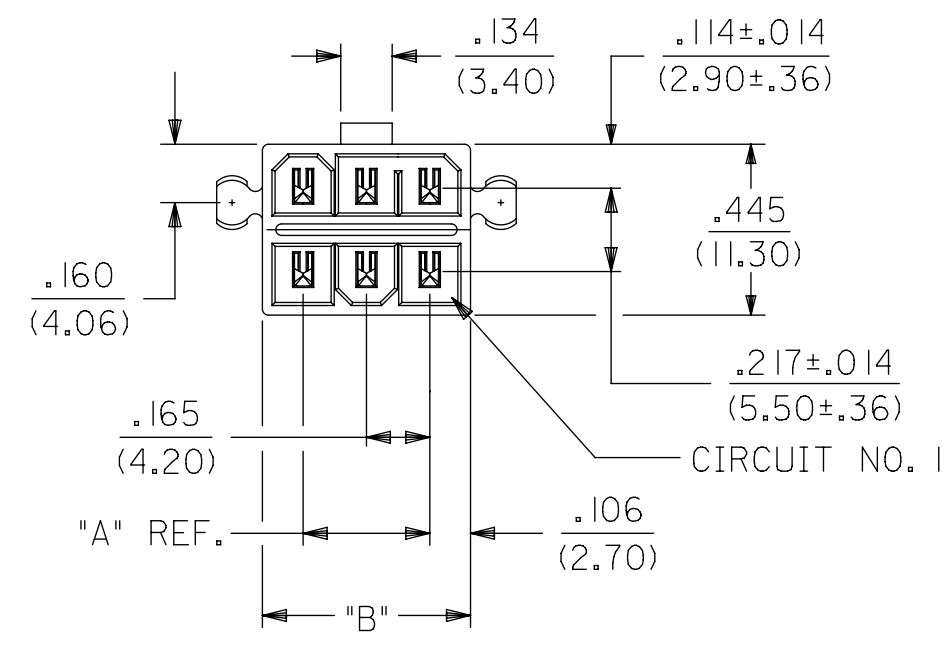
RECOMMENDED HOLE LAYOUT FOR .070/(1.78) MAX. THICK P.C. BOARD



WITH PEGS

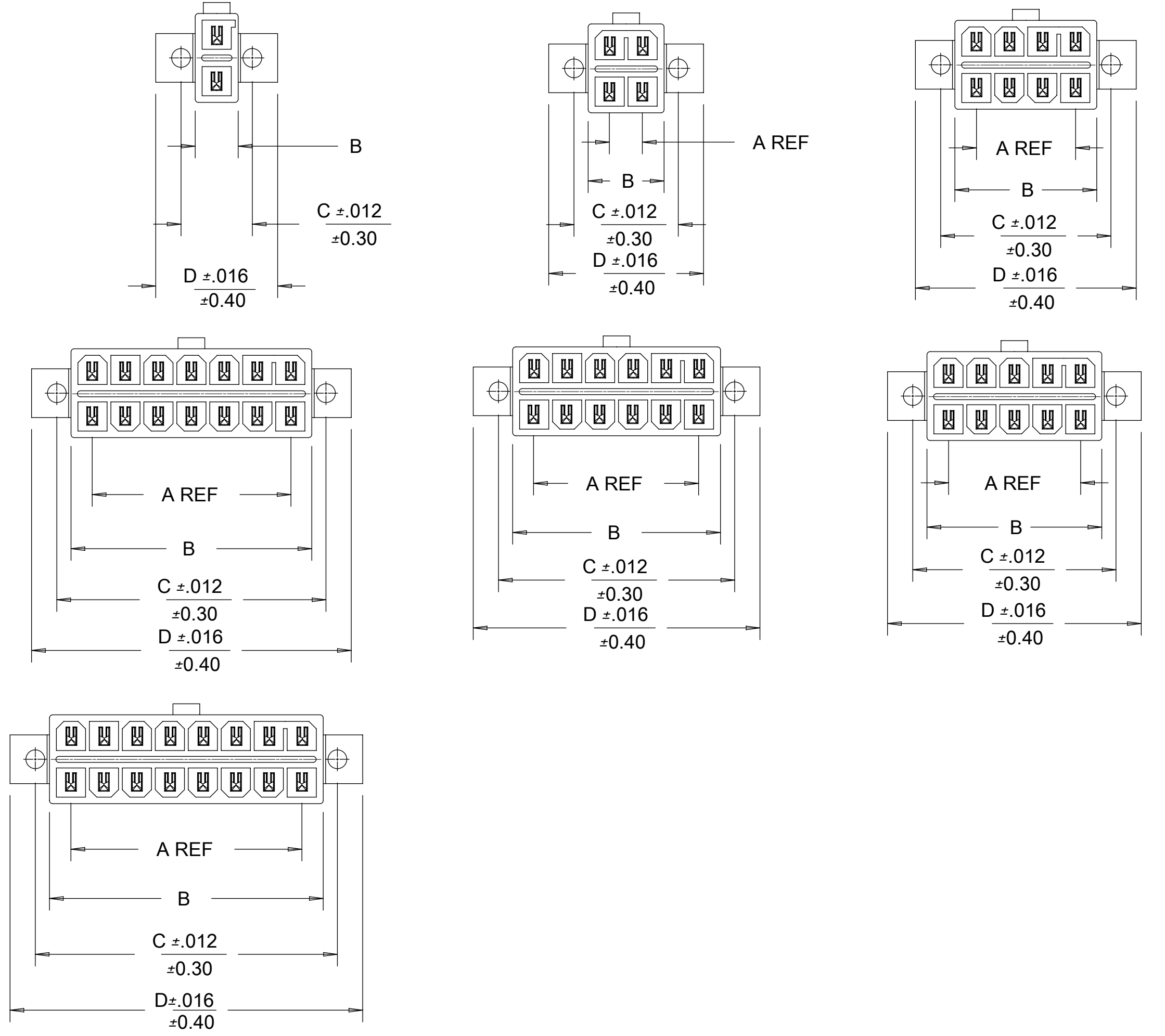


RECOMMENDED HOLE LAYOUT FOR .070/(1.78) MAX. THICK P.C. BOARD

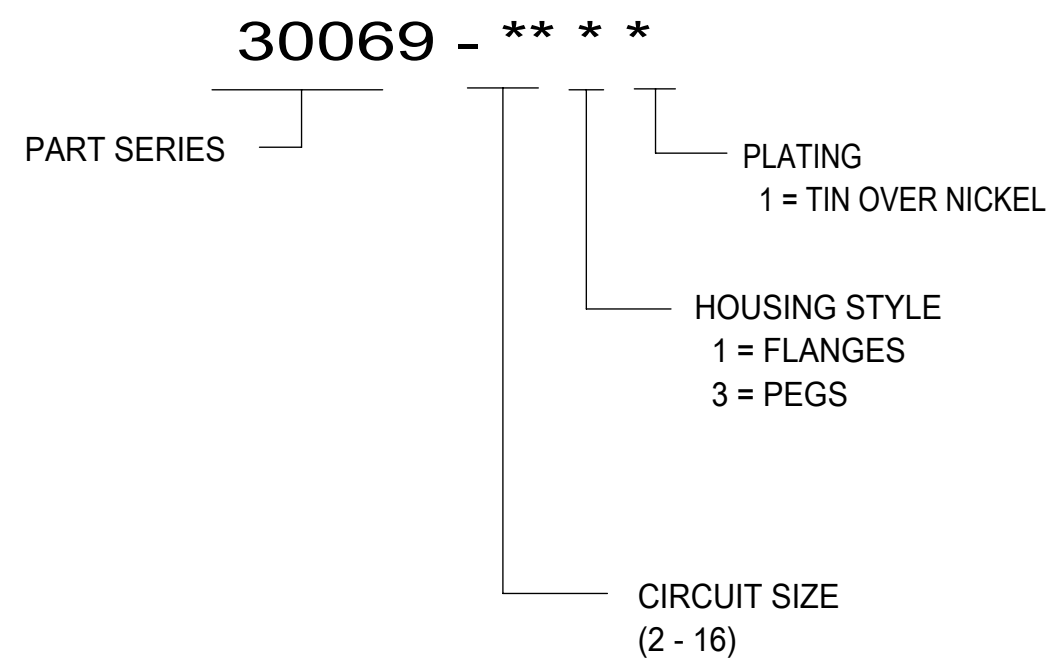


QUALITY SYMBOLS		THIS DRAWING CONTAINS INFORMATION THAT IS PROPRIETARY TO MOLEX ELECTRONIC TECHNOLOGIES, LLC AND SHOULD NOT BE USED WITHOUT WRITTEN PERMISSION				DIMENSION UNITS		SCALE				
▽ = 0	▽ = 0	GENERAL TOLERANCES (UNLESS SPECIFIED)		IN/MM		2:1		MINI-FIT T.P.A.				
▽ = 0	▽ = 0	4 PLACES ± ±		DRWN BY		DATE		VERTICAL HEADER ASSY (100U" TIN OVER 50U" NI)				
▽ = 0	▽ = 0	3 PLACES ± ± 0.01		TGREGORI		2005/12/27		PRODUCT CUSTOMER DRAWING				
▽ = 0	▽ = 0	2 PLACES ± 0.25 ± 0.014		CHK'D BY		DATE		SERIES				
▽ = 0	▽ = 0	1 PLACES ± 0.36 ±		JCOMERCI		DATE		MATERIAL NUMBER				
▽ = 0	▽ = 0	0 PLACES ± ±		APPR BY		DATE		CUSTOMER				
▽ = 0	▽ = 0	ANGULAR TOL = 0.5		JCOMERCI		2010/07/27		GENERAL MARKET				
▽ = 0	▽ = 0	DRAFT WHERE APPLICABLE MUST REMAIN WITHIN DIMENSIONS		DRAWING SIZE		THIRD ANGLE PROJECTION		DOCUMENT NUMBER				
▽ = 0	▽ = 0	C		C		C		SD-30069-001				
RELEASE STATUS		RELEASE DATE		30069		SEE SHEET 2		DOC TYPE		SHEET NUMBER		
				PSD		000		000		1 OF 2		

CIRCUIT SIZE	HOUSING STYLE	ASSEMBLY PART NUMBER	DIM. "A"	DIM. "B"	DIM. "C"	DIM. "D"	DIM. "E"
2	PEGS	30069-0231	—	.213 (5.40)	.354 (9.00)	.606 (15.40)	.370 (9.40)
4	PEGS	30069-0431	.165 (4.20)	.378 (9.60)	.520 (13.20)	.772 (19.60)	.535 (13.60)
6	FLANGES	30069-0611	.331 (8.40)	.543 (13.80)	.685 (17.40)	.937 (23.80)	.701 (17.80)
	PEGS	30069-0631					
8	FLANGES	30069-0811	.496 (12.60)	.709 (18.00)	.850 (21.60)	1.102 (28.00)	.866 (22.00)
	PEGS	30069-0831					
10	FLANGES	30069-1011	.661 (16.80)	.874 (22.20)	1.016 (25.80)	1.268 (32.20)	1.031 (26.20)
	PEGS	30069-1031					
12	FLANGES	30069-1211	.827 (21.00)	1.039 (26.40)	1.181 (30.00)	1.433 (36.40)	1.197 (30.40)
	PEGS	30069-1231					
16	FLANGES	30069-1611	1.157 (29.40)	1.370 (34.80)	1.512 (38.40)	1.764 (44.80)	1.527 (38.80)
	PEGS	30069-1631					



FINISHED PART LEGEND



THIS DRAWING CONTAINS INFORMATION THAT IS PROPRIETARY TO MOLEX ELECTRONIC TECHNOLOGIES, LLC AND SHOULD NOT BE USED WITHOUT WRITTEN PERMISSION

QUALITY SYMBOLS	ADD TOL TO DIM D EC NO: 115285 DRWN: BAPPELDORN CHKD: JBELL REV APPR: FSMITH	GENERAL TOLERANCES (UNLESS SPECIFIED)		DIMENSION UNITS	SCALE
		MM	INCH	IN/MM	1:1
▽ = 0	C5	4 PLACES ±		DRWN BY	DATE
▽ = 0		3 PLACES ± ± 0.01		TGREGORI	2005/12/27
▽ = 0	C5	2 PLACES ± 0.25 ± 0.014		CHK'D BY	DATE
▽ = 0		1 PLACES ± 0.36 ±		JCOMERCI	
▽ = 0	C5	0 PLACES ±		APPR BY	DATE
▽ = 0		ANGULAR TOL = 0.5		JCOMERCI	2010/07/27
▽ = 0	C5	DRAFT WHERE APPLICABLE MUST REMAIN WITHIN DIMENSIONS		DRAWING SIZE	THIRD ANGLE PROJECTION
▽ = 0				C	

molex

MINI-FIT T.P.A.
VERTICAL HEADER ASSY (100U" TIN OVER 50U" NI)

PRODUCT CUSTOMER DRAWING

SERIES	MATERIAL NUMBER	CUSTOMER
30069	SEE SHEET 2	GENERAL MARKET
DOCUMENT NUMBER	DOC TYPE	DOC PART SHEET NUMBER
SD-30069-001	PSD	000 2 OF 2