



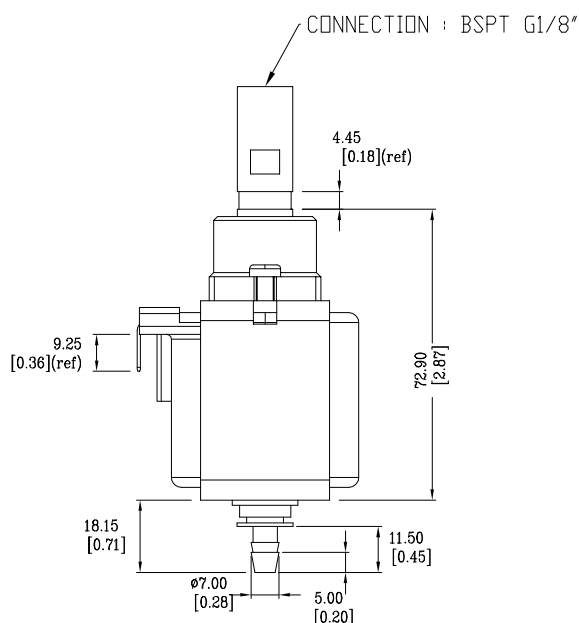
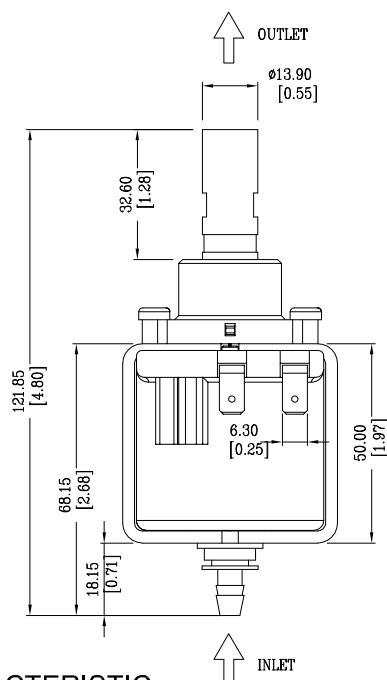
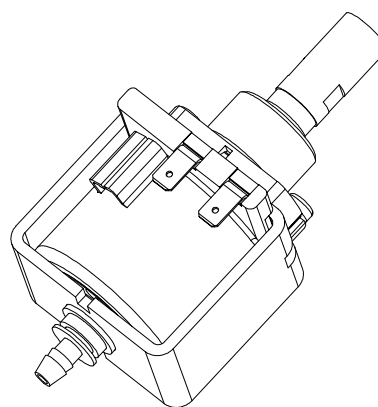
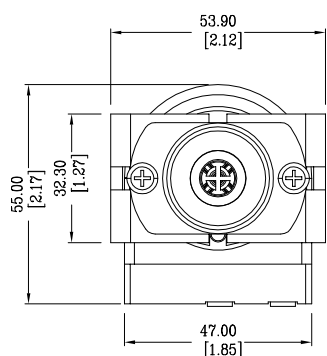
RoHS Compliant

SPECIFICATION FOR APPROVAL

TO : _____

PAGE : 2/4

CUSTOMER PART NO	REV. -	DELTA PART NO. DSP-12090	ISSUE DATE Apr.16.2015	TEMP(°C) 25
PART NAME Solenoid Pump	DELTA REV. 00	USED ON	HUM (%) 58 RH	

1. MECHANICAL DIMENSIONS : ($\frac{\text{mm}}{\text{inch}}$)

2. CHARACTERISTIC :

- 2-1. OPERATING VOLTAGE: 110Vac / 60Hz
- 2-2. POWER CONSUMPTION: 48W
- 2-3. OUTLET : BSPT G1/8"
- 2-4. FLOW RATE MAX : 900 c.c./min
- 2-5. FLOW RATE TOLERANCE : $\pm 15\%$
- 2-6. PRESSURE MAX : 177 psi (12 bar)
- 2-7. WATER TEMPERATURE : 20 °C
- 2-8. WORKING CYCLE : 1 min ON / 15 sec. OFF
- 2-9. INTEGRATED DIODE
- 2-10. TEMPERATURE CLASS : F (155°C)
- 2-11. MAX ON TIME : 11 min



RoHS Compliant

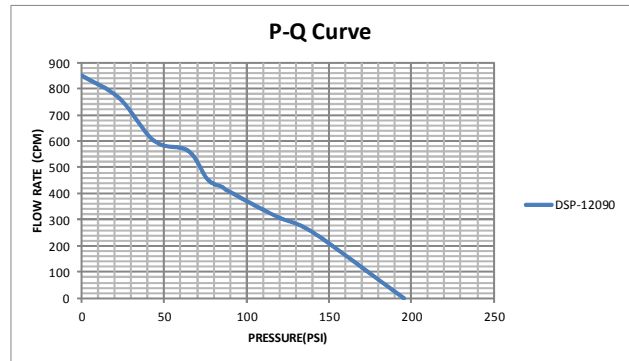
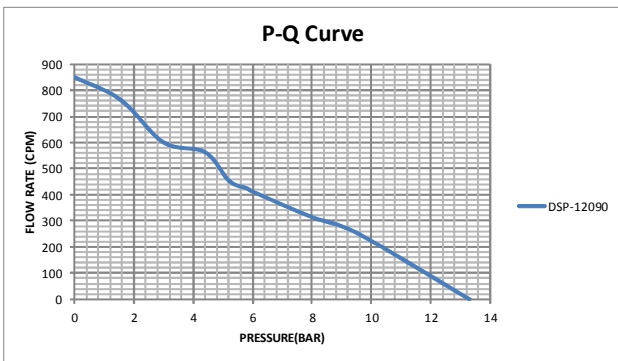
SPECIFICATION FOR APPROVAL

TO : _

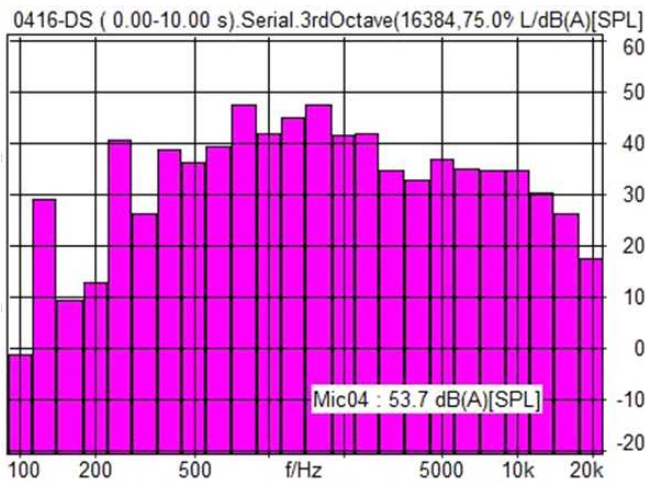
PAGE : 3/4

CUSTOMER PART NO	REV. _	DELTA PART NO. DSP-12090	ISSUE DATE Apr.16.2015	TEMP(°C) 25
PART NAME Solenoid Pump		DELTA REV. 00	USED ON	HUM (%) 58 RH

2.P-Q CURVE:



3. NOISE TEST : 53.7 dBA (at p=0 Bar/ 1m)





RoHS Compliant

SPECIFICATION FOR APPROVAL

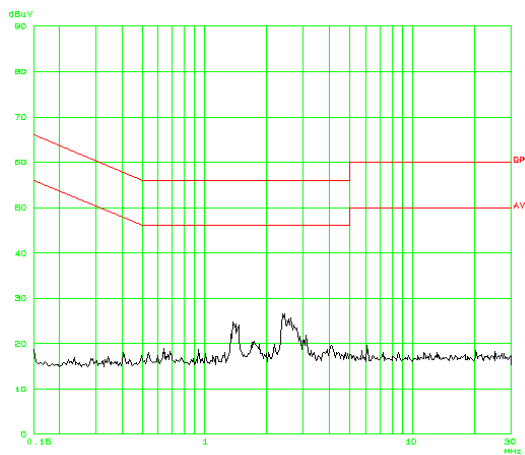
TO :__

PAGE : 4/4

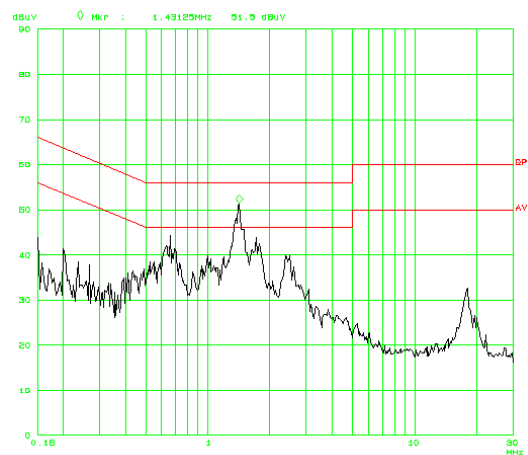
CUSTOMER PART NO	REV. _	DELTA PART NO. DSP-12090	ISSUE DATE Apr.16.2015	TEMP(°C) 25
PART NAME Solenoid Pump		DELTA REV. 00	USED ON	HUM (%) 58 RH

4. EMC TEST :

3-1. BACKGROUND

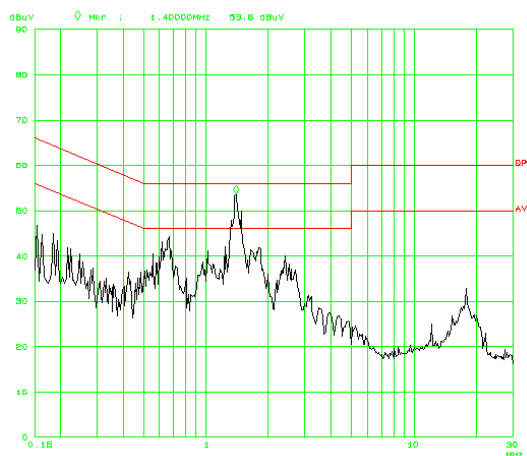


3-2. STANDBY



1.43125 MHz QP 49.7dB AV 43dB

3-3. OPERATION



1.4 MHz QP 49dB AV 42.5dB