


SACB-6/12-C

Order No.: 1692886

The illustration shows a version with 8 slots

<http://eshop.phoenixcontact.de/phoenix/treeViewClick.do?UID=1692886>

Sensor/actuator box, M12 female connector, Number of slots: 6,
Number of positions: 5, Slot assignment: Double, Status indication:
No, Universal 180°, Shielding: No

Commercial data	
GTIN (EAN)	 4 017918 178079
Note	Made-to-order
sales group	D100
Pack	1 pcs.
Customs tariff	85366990
Catalog page information	Page 115 (PC-2009)

Product notesWEEE/RoHS-compliant since:
01/30/2007

<http://www.download.phoenixcontact.com>
Please note that the data given here has been taken from the online catalog. For comprehensive information and data, please refer to the user documentation. The General Terms and Conditions of Use apply to Internet downloads.

Technical data	
General data	
Rated voltage	120 V
Max. operating voltage U_{max}	135 V
Current carrying capacity per I/O signal	2 A
Current carrying capacity per slot	4 A

Total rated current	10 A
	2x 8 A (For electrical isolation)
Number of positions	5
Number of slots	6
Degree of protection	IP65/IP67
Inflammability class acc. to UL 94	V0
Ambient temperature (operation)	-25 °C ... 75 °C
Sensor/actuator connection system	M12 female connector

Master cable data

Type of connection	Pluggable screw connection
Conductor cross-section min. (signal)	0.14 mm ²
Conductor cross-section max. (signal)	1.5 mm ²
Conductor cross-section AWG min. (signal)	26
Conductor cross-section AWG max. (signal)	16
Conductor cross-section min. (energy)	0.14 mm ²
Conductor cross-section max. (energy)	1.5 mm ²
Conductor cross-section AWG min. (energy)	26
Conductor cross-section AWG max. (energy)	16
External cable diameter min.	7 mm
External cable diameter max.	12 mm
Stripping length	7 mm
Tightening torque, union nut	2.5 Nm
Tightening torque slot sensor/actuator cable	0.4 Nm
Tightening torque screw plug	0.4 Nm

Insulation material

Housing material	PA
Contact material	CuSn
Contact surface material	Ni/Au
Contact carrier material	PA
Material of contact, master cable side	CU alloy
Material of contact surface, master cable side	Sn
Material of the contact carrier on the master cable side	PA 66 V0
Material, O-ring	NBR

Pin assignment

Slot/position = Wire color or connection	1 / 4 (A) = 1 / 4
	1 / 2 (B) = 1 / 2
	2 / 4 (A) = 2 / 4
	2 / 2 (B) = 2 / 2
	3 / 4 (A) = 3 / 4
	3 / 2 (B) = 3 / 2
	4 / 4 (A) = 4 / 4
	4 / 2 (B) = 4 / 2
	5 / 4 (A) = 5 / 4
	5 / 2 (B) = 5 / 2
	6 / 4 (A) = 6 / 4
	6 / 2 (B) = 6 / 2
	1-6 / 1 (+ 24 V) = U _N
	1-6 / 3 (0 V) = 0 V
	1-6 / 5 (PE) = PE

Certificates / Approvals



Certification CUL, GOST, UL

Accessories

Item	Designation	Description
Connector hood		
1695977	SACB-C-H180 8/16	Connector hood, Status indication: No 180°, Shielding: No

General

1503360	SACB-12X0,5/ 3X1,0-50,0 PUR	Master cable for sensor/actuator boxes, with PE conductor, unshielded, material PUR/PVC, 15-pos., 12 x 0.50 mm ² and 3 x 1.00 mm ² , length: 50 m
---------	-----------------------------	---

Marking

2809128	ZBN 18:UNBEDRUCKT	Unprinted marker labels, strips with 5 labels for individual labeling with M-PEN or CMS system, for terminal block width: 17.5 mm, color: White
---------	-------------------	---

Protection and sealing elements

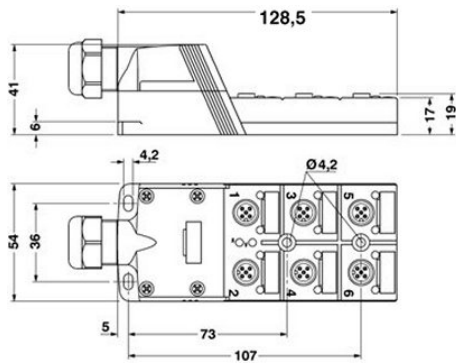
1680539	PROT-M12	An M12 screw plug for the unoccupied M12 sockets of the sensor/ actuator cable, boxes and flush-type connectors
---------	----------	---

Tools

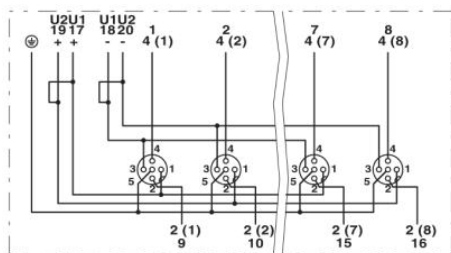
1208432	SAC BIT M12-D15	Nut for assembling sensor/actuator cables with M12 connector and for M12 connectors with QUICKON fast connection technology, for 4 mm hexagonal drive
1208445	SACC BIT M12-D20	Nut for assembling SACC M12 connectors for free assembly, excluding M12 connectors with QUICKON fast connection technology, for 4 mm hexagonal drive
1206463	SZK PZ2 VDE	Screwdriver, PZ crosshead, VDE insulated, size: PZ 2 x 100 mm, 2-component grip, with non-slip grip
1208429	TSD 04 SAC	Torque screwdriver, with preset torque of 0.4 Nm and 4 mm hexagonal drive for M12 connectors

Diagrams/Drawings

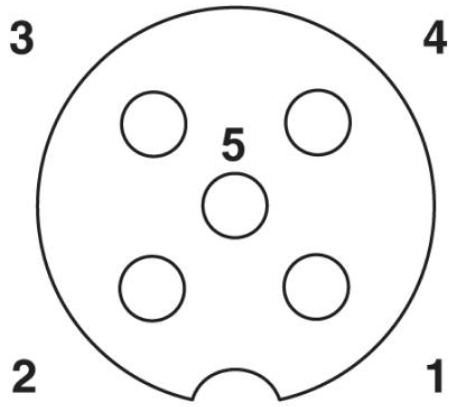
Dimensioned drawing



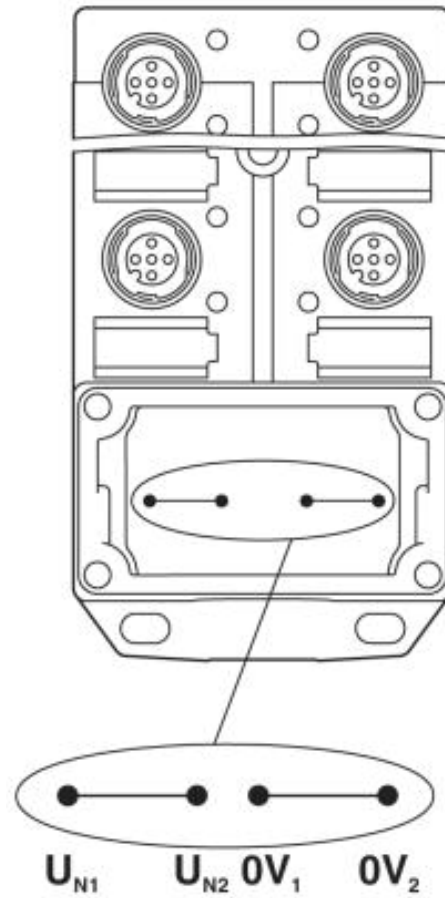
Circuit diagram



Schematic diagram

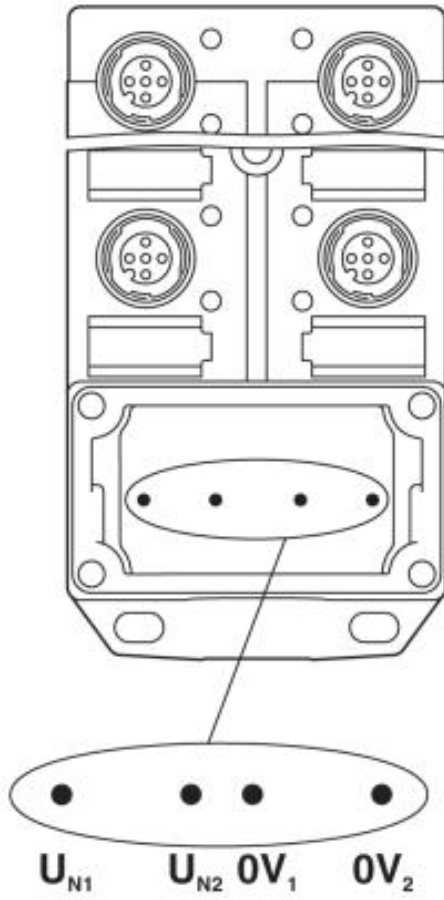


M12 slot, socket, 5-pos.



Potential U_{N1} and U_{N2} bridged

Electrically isolated



Address

PHOENIX CONTACT Inc., USA
586 Fulling Mill Road
Middletown, PA 17057, USA
Phone (800) 888-7388
Fax (717) 944-1625
<http://www.phoenixcon.com>



© 2010 Phoenix Contact
Technical modifications reserved;