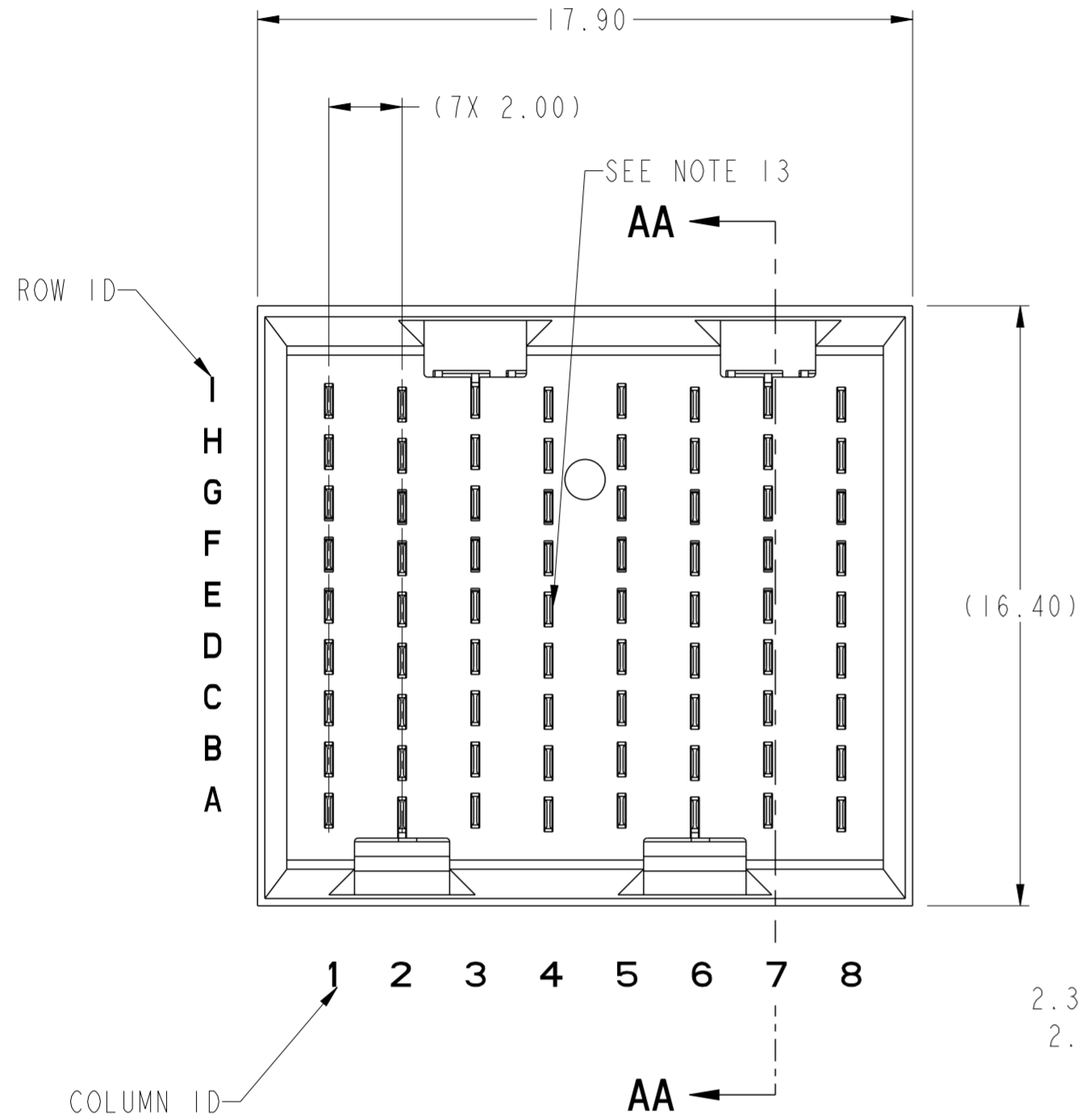


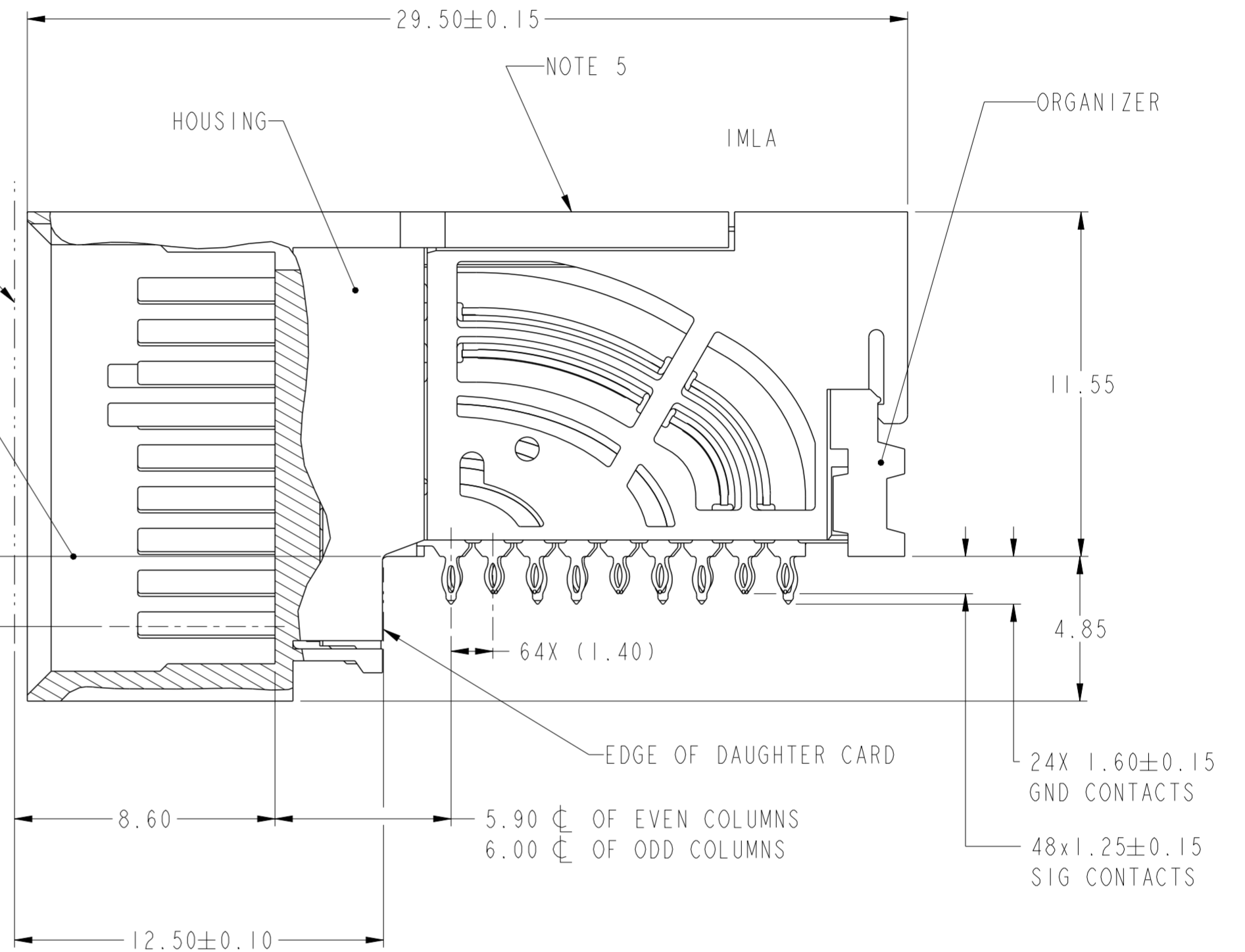
PRODUCT NUMBER
SEE SHEET 3



TOP SURFACE OF MOTHER BOARD

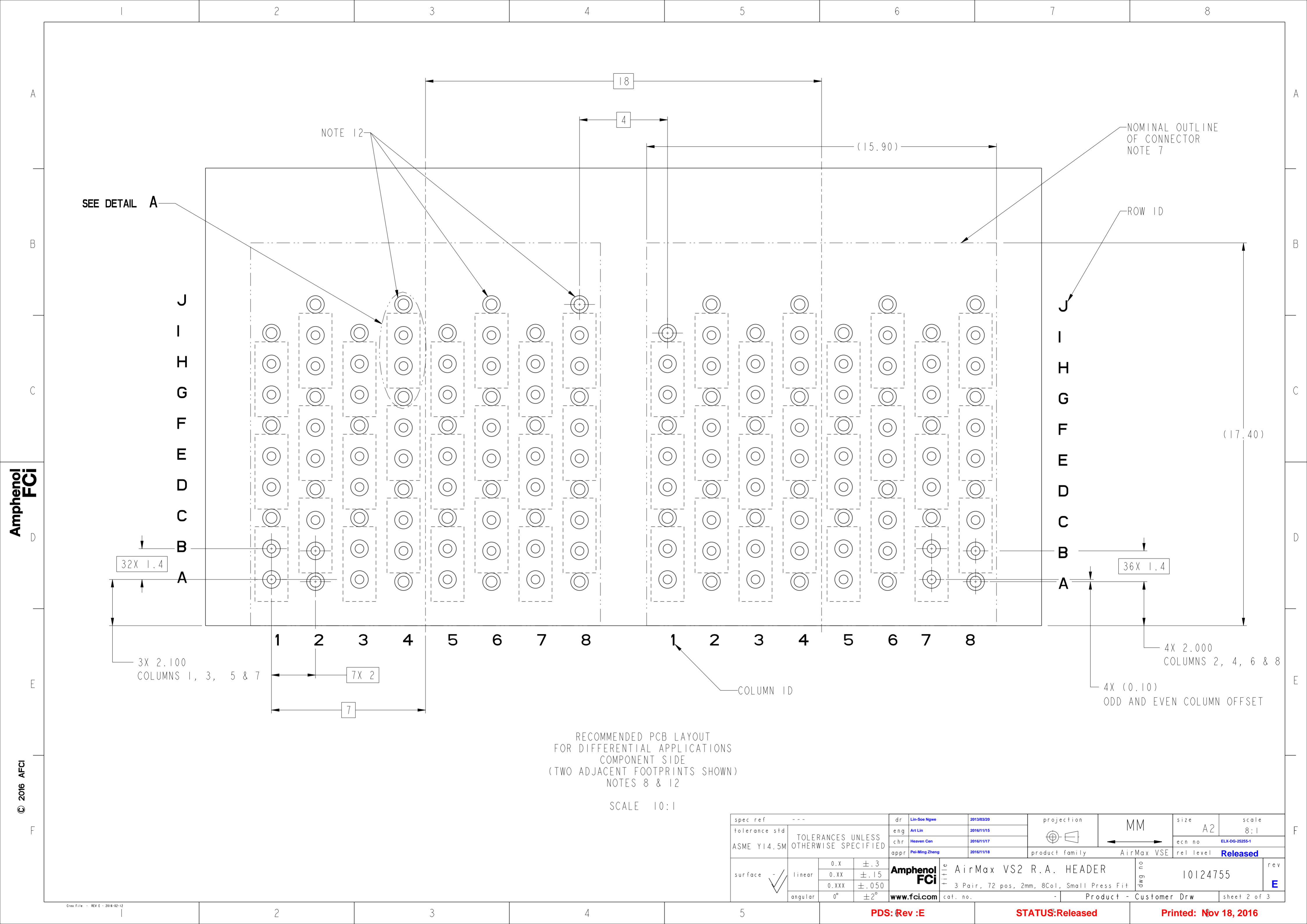
TOP SURFACE OF DAUGHTER CARD

2.35 ϕ OF EVEN COLUMNS
2.25 ϕ OF ODD COLUMNS



SECTION AA-AA

| | | | | | | | | | | | | | | | | | | | | | | |
|---------------------------------------|---|--|----------------|-------------------------------|------------|---------------------|--------|----------------|-----------|----------|---------|----|-----|--|--|----------------------------------|--|-------------------------------------|--|-------------------------|--|--------------|
| spec ref | --- | dr | Lin-Soe Ngwe | 2013/03/20 | projection | MM | size | A2 | scale | 6:1 | | | | | | | | | | | | |
| tolerance std | ASME Y14.5M | eng | Art Lin | 2016/11/15 | | | ecn no | ELX-DG-25255-1 | rel level | Released | | | | | | | | | | | | |
| TOLERANCES UNLESS OTHERWISE SPECIFIED | | chr | Heaven Cen | 2016/11/17 | | | | | | | | | | | | | | | | | | |
| | | appr | Pai-Ming Zheng | 2016/11/18 | | | | | | | | | | | | | | | | | | |
| surface | <table border="1"> <tr> <td>linear</td> <td>0.X</td> <td>±.3</td> </tr> <tr> <td></td> <td>0.XX</td> <td>±.15</td> </tr> <tr> <td></td> <td>0.XXX</td> <td>±.050</td> </tr> <tr> <td>angular</td> <td>0°</td> <td>±2°</td> </tr> </table> | linear | 0.X | ±.3 | | 0.XX | ±.15 | | 0.XXX | ±.050 | angular | 0° | ±2° | | | Product Family AirMax VSE | | Title AirMax VS2 R.A. HEADER | | Part No 10124755 | | Rev E |
| linear | 0.X | ±.3 | | | | | | | | | | | | | | | | | | | | |
| | 0.XX | ±.15 | | | | | | | | | | | | | | | | | | | | |
| | 0.XXX | ±.050 | | | | | | | | | | | | | | | | | | | | |
| angular | 0° | ±2° | | | | | | | | | | | | | | | | | | | | |
| | | www.fci.com | | Product - Customer Drw | | Sheet 1 of 3 | | | | | | | | | | | | | | | | |

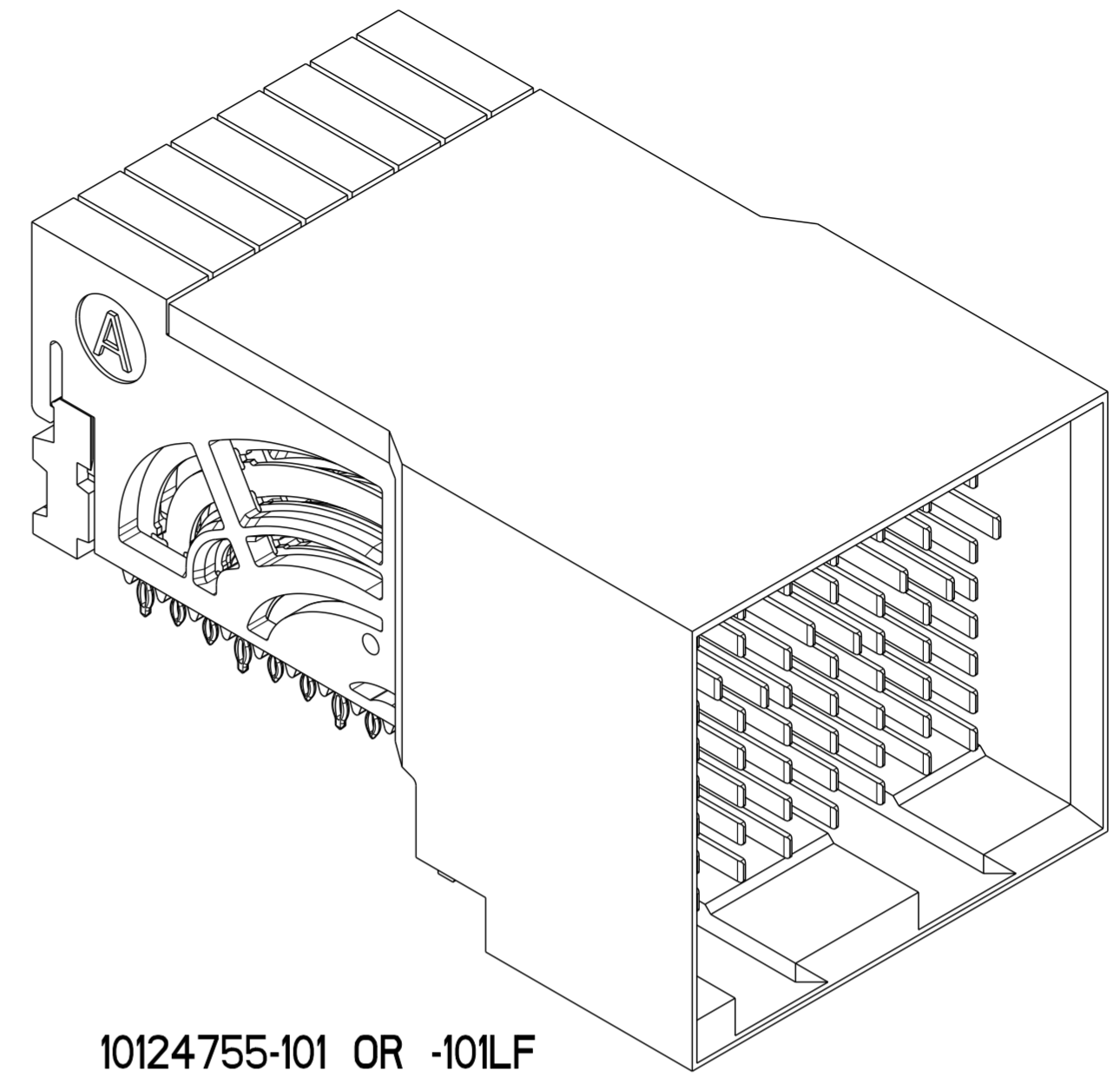


RECOMMENDED PCB LAYOUT
 FOR DIFFERENTIAL APPLICATIONS
 COMPONENT SIDE
 (TWO ADJACENT FOOTPRINTS SHOWN)
 NOTES 8 & 12

SCALE 10:1

| | | | | | | | | | | | | | | | | | | | | | |
|---------------------------------------|---|-------------|--------------|---|------------|------------------------|-----------|----------------|-------|-----|-------|-------|---------|----|-----|------|----------------|------------|----------------|------------|--|
| spec ref | --- | dr | Lin-Soe Ngwe | 2013/03/20 | projection | MM | size | A2 | scale | 8:1 | | | | | | | | | | | |
| tolerance std | ASME Y14.5M | eng | Art Lin | 2016/11/15 | | | ecn no | ELX-DG-25255-1 | | | | | | | | | | | | | |
| TOLERANCES UNLESS OTHERWISE SPECIFIED | | chr | Heaven Cen | 2016/11/17 | | | rel level | Released | | | | | | | | | | | | | |
| surface | <table border="1"> <tr> <td>linear</td> <td>0.X</td> <td>±.3</td> </tr> <tr> <td></td> <td>0.XX</td> <td>±.15</td> </tr> <tr> <td></td> <td>0.XXX</td> <td>±.050</td> </tr> <tr> <td>angular</td> <td>0°</td> <td>±2°</td> </tr> </table> | linear | 0.X | ±.3 | | | | 0.XX | ±.15 | | 0.XXX | ±.050 | angular | 0° | ±2° | appr | Pai-Ming Zheng | 2016/11/18 | product family | AirMax VSE | |
| linear | 0.X | ±.3 | | | | | | | | | | | | | | | | | | | |
| | 0.XX | ±.15 | | | | | | | | | | | | | | | | | | | |
| | 0.XXX | ±.050 | | | | | | | | | | | | | | | | | | | |
| angular | 0° | ±2° | | | | | | | | | | | | | | | | | | | |
| | | | | title AirMax VS2 R.A. HEADER 3 Pair, 72 pos, 2mm, 8Col, Small Press Fit | | dwg no 10124755 | rev E | | | | | | | | | | | | | | |
| | | www.fci.com | | cat. no. | | Product - Customer Drw | | sheet 2 of 3 | | | | | | | | | | | | | |

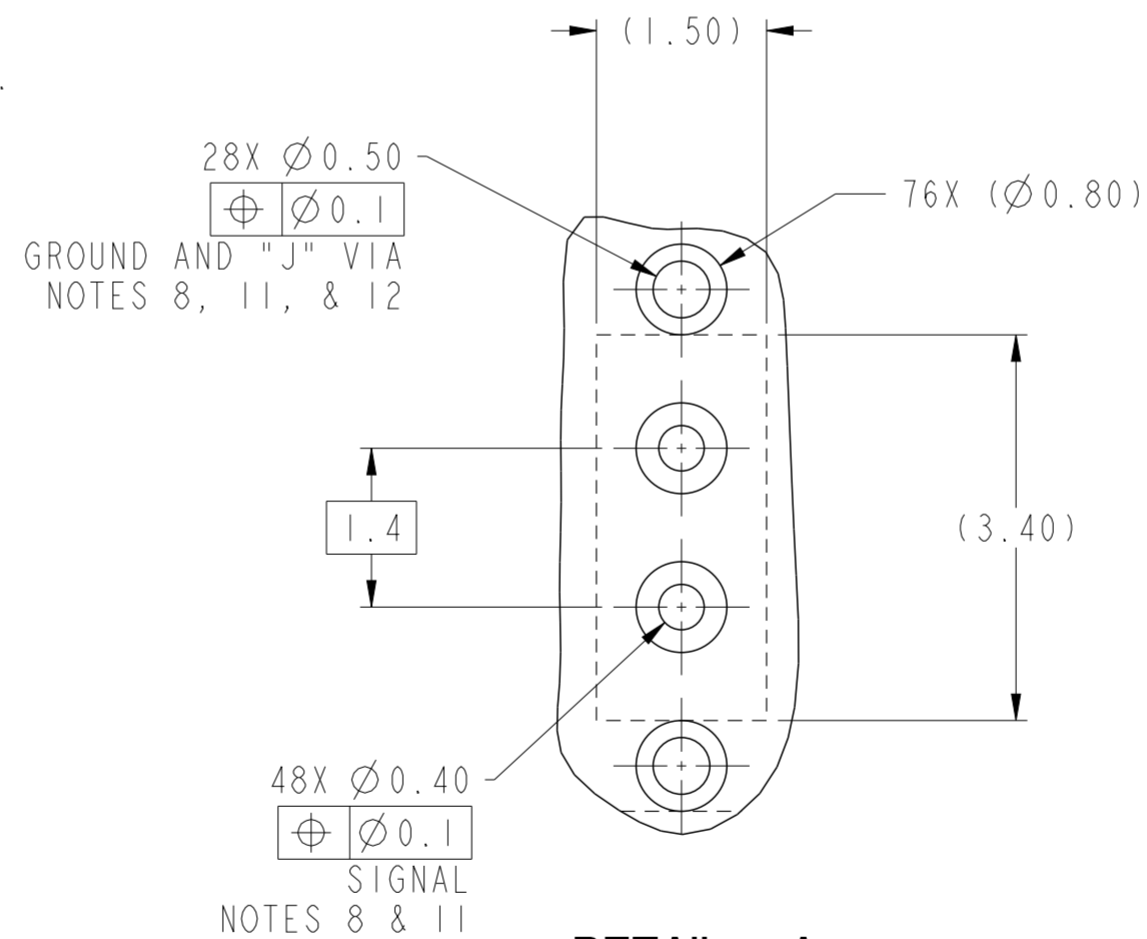
| PRODUCT NUMBER | PRESS-FIT TAIL PLATING TYPE | SHORT DETECT CONTACT | REMARK |
|----------------|-----------------------------|----------------------|-------------------------------------|
| 10124755-101 | TIN/LEAD ALLOY OVER NICKEL | NO | ONE SIDE PLATING (CUSTOMER SPECIAL) |
| 10124755-101LF | TIN OVER NICKEL (LEAD FREE) | | |
| 10124755-111 | TIN/LEAD ALLOY OVER NICKEL | YES (SEE NOTE 13) | |
| 10124755-111LF | TIN OVER NICKEL (LEAD FREE) | | |
| 10124755-102 | TIN/LEAD ALLOY OVER NICKEL | NO | TWO SIDE PLATING |
| 10124755-102LF | TIN OVER NICKEL (LEAD FREE) | | |
| 10124755-112 | TIN/LEAD ALLOY OVER NICKEL | YES (SEE NOTE 13) | |
| 10124755-112LF | TIN OVER NICKEL (LEAD FREE) | | |



10124755-101 OR -101LF

- 1 - CONNECTOR MATERIALS:
HOUSING: HIGH TEMP THERMOPLASTIC, NATURAL, UL94-V0
IMLA PLASTIC: HIGH TEMP THERMOPLASTIC, BLACK, UL94-V0
CONTACT: COPPER ALLOY
ORGANIZER: HIGH TEMP THERMOPLASTIC, NATURAL, UL94-V0
- 2 - CONTACT PLATING:
SEPARABLE INTERFACE:
GXT PLUS PLATING, QUALIFIED TO MEET THE REQUIREMENTS OF FCI PRODUCT SPECIFICATION GS-12-0956 INCLUDING TELCORDIA GR-1217-CORE (NOVEMBER 1995) CENTRAL OFFICE TEST SEQUENCE

PRESS-FIT TAILS: SEE TABLE
- 3 - PRODUCT SPECIFICATION: GS-12-0956
- 4 - APPLICATION SPECIFICATION: GS-20-0305
- 5 - PRODUCT MARKING, (PROTOTYPE, PART NUMBER & LOT CODE), ON THIS SURFACE.
- 6 - POSITIONS "F" OF ODD NUMBERED COLUMNS AND POSITIONS "G" OF EVEN NUMBERED COLUMNS CORRESPOND TO EARLY MATE HEADER PINS.
- 7 - CONNECTOR OUTLINE MAY BE SCREEN PRINTED ONTO CUSTOMER PCB TO BE USED AS A GUIDE FOR CONNECTOR PLACEMENT.
- 8 - REFER TO CUSTOMER DRAWING 10104444 FOR INFORMATION ON PCB HOLE DIAMETERS AND PLATING OPTIONS
- 9 - LEAD FREE PRODUCT MEETS THE EUROPEAN UNION DIRECTIVES & OTHER COUNTRY REGULATIONS AS DESCRIBED IN GS-22-008
- 10 - PACKAGING MEETS GS-14-920 LEAD FREE LABELING SPECIFICATION.
- 11 - GROUND CONTACTS (C, F, & I IN ODD COLUMNS AND A, D, & G IN EVEN COLUMNS) REQUIRE (Ø0.50) FINISHED HOLES. SIGNAL LOCATIONS REQUIRE (Ø0.40) FINISHED HOLES
- 12 - THESE OUTER VIAS (J) ARE OPTIONAL. WHILE NO CONNECTOR EONS ARE PRESSED INTO THESE HOLES WE RECOMMEND (Ø0.500) FINISHED HOLES AT THESE LOCATIONS TO PROVIDE GROUND SYMMETRY THROUGH THE PCB.
- 13- MATING PIN E4 HAS 0.5mm LESS NOMINAL WIPE THAN THE SHORTEST PIN.
- 14- A \triangle SYMBOL WILL BE NEXT TO ANY DIMENSION, VIEW, OR NOTE, WHICH HAS BEEN MODIFIED WITH THE CURRENT DRAWING REVISION



DETAIL A
SCALE 15:1

| | | | | | | | | | | | | | | | | | | | | | | |
|---------------------------------------|---|-------------|--------------|------------|------------------------|----|----------------|----------------|-----------|----------|--|-------|-------|---------|----|-----|------|----------------|------------|-------|------------------------|--------|
| spec ref | --- | dr | Lin-Soe Ngwe | 2013/03/20 | projection | MM | size | A2 | scale | 5:1 | | | | | | | | | | | | |
| tolerance std | ASME Y14.5M | eng | Art Lin | 2016/11/15 | | | ecn no | ELX-DG-25255-1 | rel level | Released | | | | | | | | | | | | |
| TOLERANCES UNLESS OTHERWISE SPECIFIED | | chr | Heaven Cen | 2016/11/17 | | | product family | AirMax VSE | | | | | | | | | | | | | | |
| surface | <table border="1"> <tr> <td>linear</td> <td>0.X</td> <td>±.3</td> </tr> <tr> <td></td> <td>0.XX</td> <td>±.15</td> </tr> <tr> <td></td> <td>0.XXX</td> <td>±.050</td> </tr> <tr> <td>angular</td> <td>0°</td> <td>±2°</td> </tr> </table> | linear | 0.X | ±.3 | | | | 0.XX | | ±.15 | | 0.XXX | ±.050 | angular | 0° | ±2° | appr | Pei-Ming Zheng | 2016/11/18 | title | AirMax VS2 R.A. HEADER | dwg no |
| linear | 0.X | ±.3 | | | | | | | | | | | | | | | | | | | | |
| | 0.XX | ±.15 | | | | | | | | | | | | | | | | | | | | |
| | 0.XXX | ±.050 | | | | | | | | | | | | | | | | | | | | |
| angular | 0° | ±2° | | | | | | | | | | | | | | | | | | | | |
| | | www.fci.com | | cat. no. | Product - Customer Drw | | sheet 3 of 3 | | | | | | | | | | | | | | | |