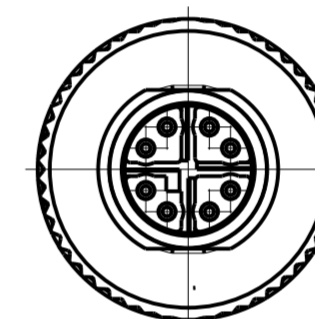
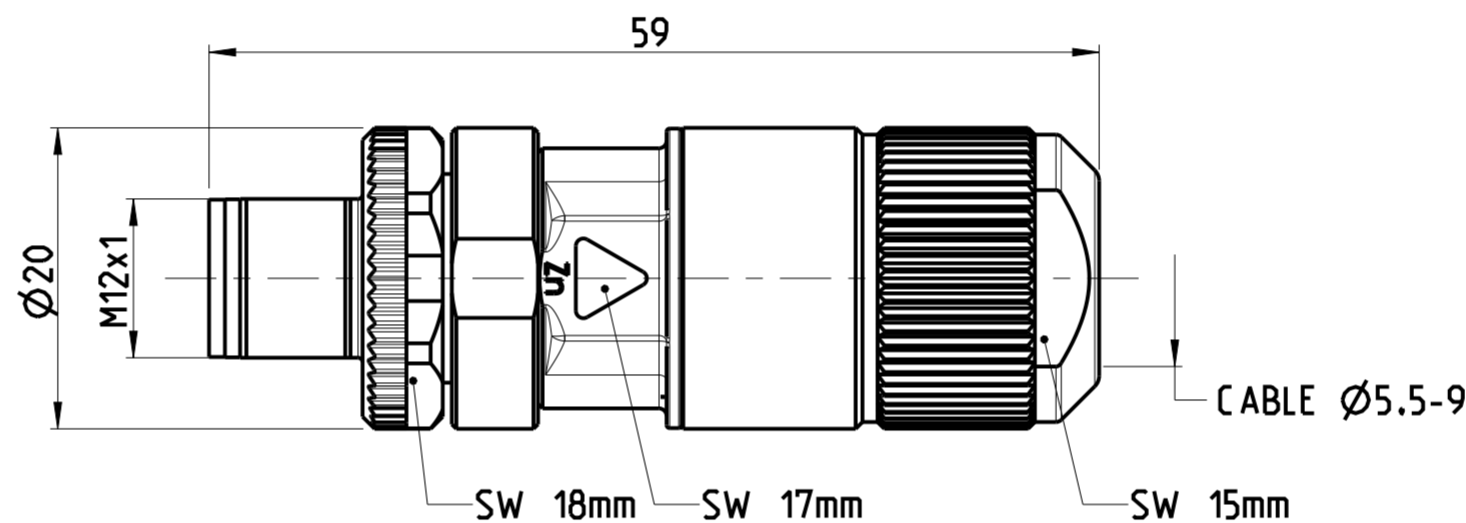
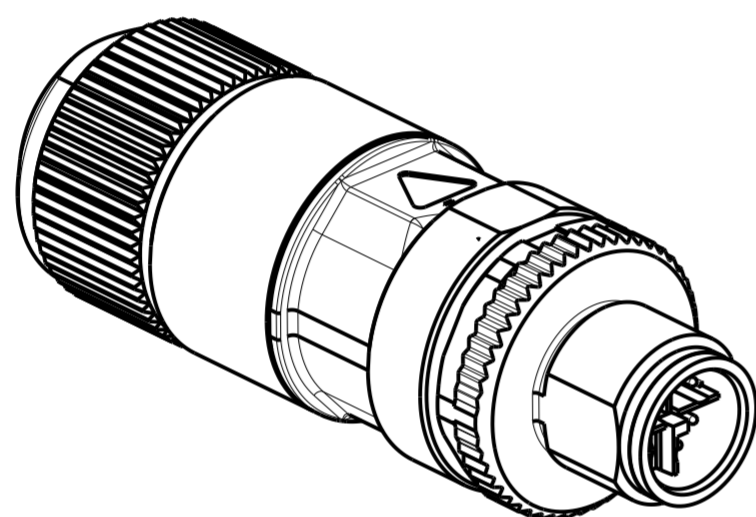


THIS DRAWING IS UNPUBLISHED. VERTRAULICHE UNVERPFLICHTETE ZEICHNUNG. RELEASED FOR PUBLICATION FREI FÜR VERÖFFENTLICHUNG. 2014. DATED WITH PASSEND ZU. ALL RIGHTS RESERVED. ALLE RECHTE VORBEHALTEN. (C) COPYRIGHT 2014 Tyco Electronics AMP GmbH

PROJECT NO.: PRJ-14-00000805

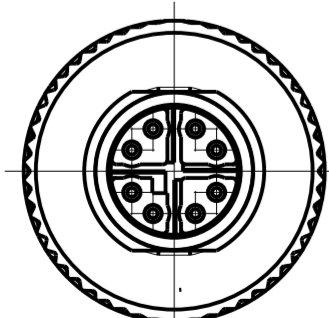
REVISIONS		DATE	DWN	APVD
ÄNDERUNGEN				
P	LTR	DESCRIPTION		
		BESCHREIBUNG		
	A1	NEW DRAWING	29MAY2014	YR CS

- 1 MATERIAL: ITEM NO. 1: HOUSING - BRASS NICKEL PLATED / ZINC DIECASTING, NICKEL PLATED  
 ITEM NO. 2: CONTACT BODY - PA  
 ITEM NO. 3: CONTACT - CuZn (brass)  
 CONTACT FINISH - Au (gold)
- 2 ALL DIMENSIONS ARE FOR NOMINAL REFERENCE ONLY UNLESS OTHERWISE STATED
- 3 MEASUREMENT REFERENCE ONLY
- 4 PACKAGING: 1 PIECE IN A TRAY / BLISTER.



PIN ARRANGEMENT X-CODING (SCALE 2:1)

2120952-1



TECHNICAL DATA

2120952-1

RATED VOLTAGE	50 V AC, 60 V DC
RATED IMPULSE VOLTAGE	-
POLLUTION DEGREE	3
OVERVOLTAGE CATEGORY	II
MATERIAL GROUP	II
RATED CURRENT	0.5A
VOLUME RESISTIVITY	≤10mΩ
DEGREE OF PROTECTION	IP67
UPPER TEMPERATURE	+85°C
LOWER TEMPERATURE	-40°C

5.5-9	27-22	⚠	8	2120952-1
CABLE FEED-THROUGH	WIRES	MATERIAL	NUMBER OF POLES	TE-PART-NO.
mm	AWG			

DIESE ZEICHNUNG IST EIN KONTROLLIERTES DOKUMENT. BEMASSUNGEN UND TOLERANZEN GEMAESS GPS (ISO STANDARDS).

THIS DRAWING IS A CONTROLLED DOCUMENT. DIMENSIONING AND TOLERANCING PER GPS (ISO STANDARDS).

DIMENSIONS: MASSSTÄBE: (MM)	TOLERANCES UNLESS OTHERWISE SPECIFIED: ALLGEMEINTOLERANZEN	DWN YASHKUMAR 29MAY2014	CHK M.STRELOW 29MAY2014	APVD C.SCHREITLINGER 29MAY2014
0 PLC ±	1 PLC ±	2 PLC ±	3 PLC ±	4 PLC ±
ANGLES/WINKEL	FINISH/OBERFLÄCHE/FARBE	PRODUCT SPEC	APPLICATION SPEC	VERARBEITUNGSSPEZ.
MATERIAL		WEIGHT	GEWICHT	
-		-		

**STE** TE Connectivity

NAME: M12 MALE, FIELD INSTALLABLE, CONNECTOR, X-CODING

SIZE: A2 CAGE CODE: 00779 DRAWING NO: 2120952

Customer Drawing / KUNDENZEICHNUNG SCALE: 2:1 SHEET: 1 OF 1 REV: A1

SIZE ISO 14405 (E)