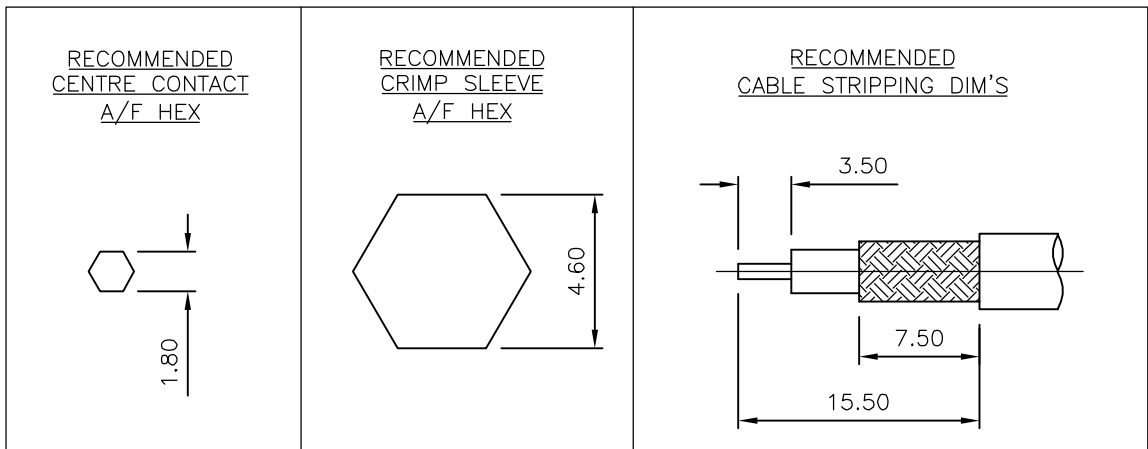
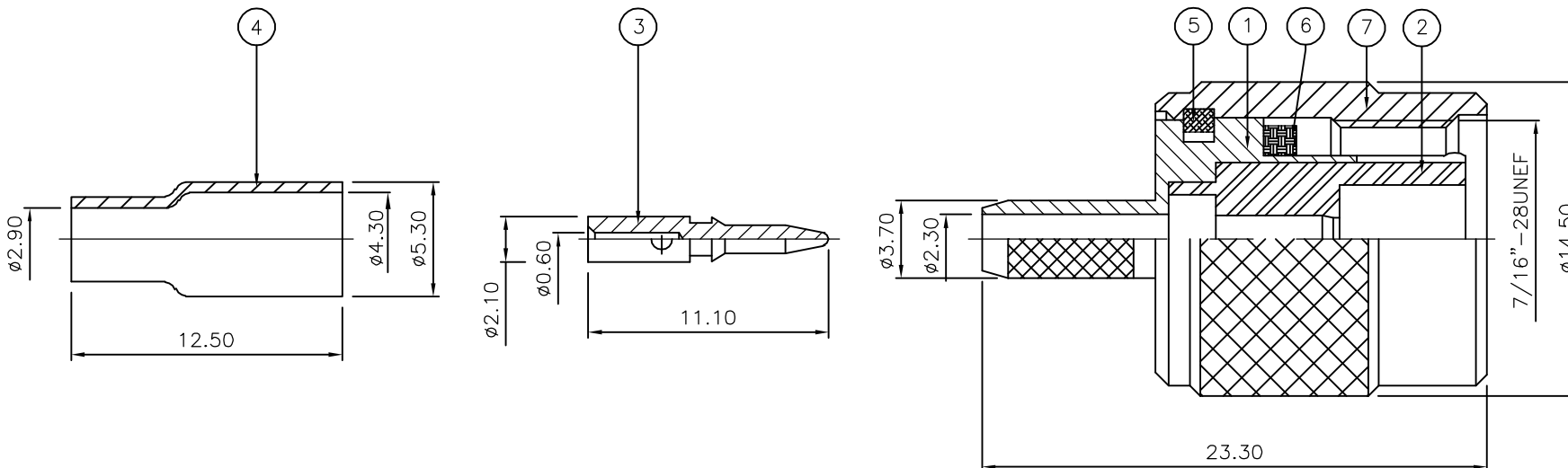


LOC	DIST	REVISIONS			
P	LTR	DESCRIPTION	DATE	DWN	APVD
E	B	C	ECR-06-002568	15FEB06	JMS FWK

NOTES:

- ① PACK IN ACCORDANCE WITH AMP SPEC 107-3275
- ② 100 TRAY PACK IN ACCORDANCE WITH AMP SPEC 107-3275
- ③ Au PLATING
- ④ Ni PLATING
- ⑤ THIS ITEM MUST BE WHITE
- 6 HAND TOOL : 9-1478240-0
- 7 DIE SET : 9-1478245-0
- 8 ELECTRICAL CHARACTERISTICS  
 FREQUENCY RANGE: DC - 11 GHz  
 NOMINAL IMPEDANCE: 50 Ohm  
 INSULATION RESISTANCE: 5000 MOhm  
 WORKING VOLTAGE: 500 Volts RMS at Sea Level  
 DIELECTRIC WITHSTAND VOLTAGE: 1500 Volts RMS Max  
 CONTACT RESISTANCE:  
 CENTRE CONTACT: 1.50 mOhm Max  
 OUTER CONTACT: 1.00 mOhm Max  
 VSWR @ 4GHz: 1.30:1 Max  
 INSERTION LOSS dB @ x 3 GHz: 0.20 Max
- 9 MECHANICAL CHARACTERISTICS  
 COUPLING NUT RETENTION FORCE: 445N Min  
 CABLE RETENTION FORCE: 85N Min  
 DURABILITY: 500 Cycles Min
- 10 ENVIRONMENTAL CHARACTERISTICS  
 OPERATING TEMPERATURE: -65 to +165 DegC



QTY	PLC	QTY	PLC	MATERIAL	NOTE	DESCRIPTION	ITEM
1	1			BRASS	④	COUPLING NUT	7
1	1			SILICONE RUBBER	⑤	GASKET	6
1	1			BRASS		CIRCLIP	5
1	1			BRASS	④	FERRULE	4
1	1			BRASS	③	CONTACT	3
1	1			PTFE		INSULATION	2
1	1			BRASS	④	BODY	1
6--0	1--0			MATERIAL		DESCRIPTION	ITEM
QUANTITY PER ASSY		PARTS LIST					

THIS DRAWING IS A CONTROLLED DOCUMENT.		DWN J.SANDWELL 15FEB06	<b>tyco</b> Tyco Electronics Corporation		
DIMENSIONS: mm		CHK S.PARLOW 15FEB06	<b>Electronics</b> Bideford EX39 4HE		
 TOLERANCES UNLESS OTHERWISE SPECIFIED: 0 PLC ± - 1 PLC ± - 2 PLC ± - 3 PLC ± - 4 PLC ± - ANGLES ± -		APVD F.WHEELER-KING 15FEB06	NAME		
		PRODUCT SPEC -	TNC STRAIGHT PLUG CRIMP 50 OHM RG174A/U, 188A/U, 316/U, URM95, KX3B, KX22A		
MATERIAL SEE TABLE		FINISH -	APPLICATION SPEC -	WEIGHT -	RESTRICTED TO -
CUSTOMER DRAWING			SIZE A3	CAGE CODE 00779	DRAWING NO C-1337611
			SCALE NTS	SHEET 1 OF 1	REV C