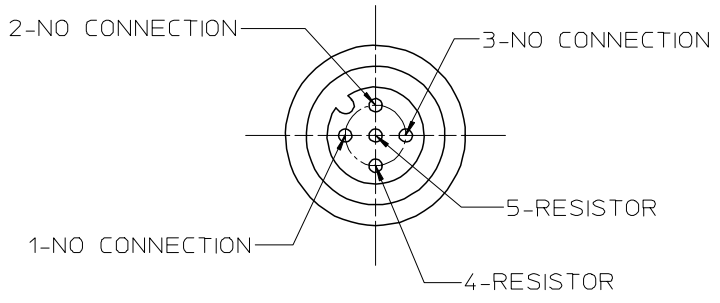
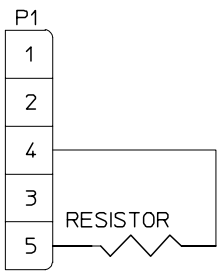
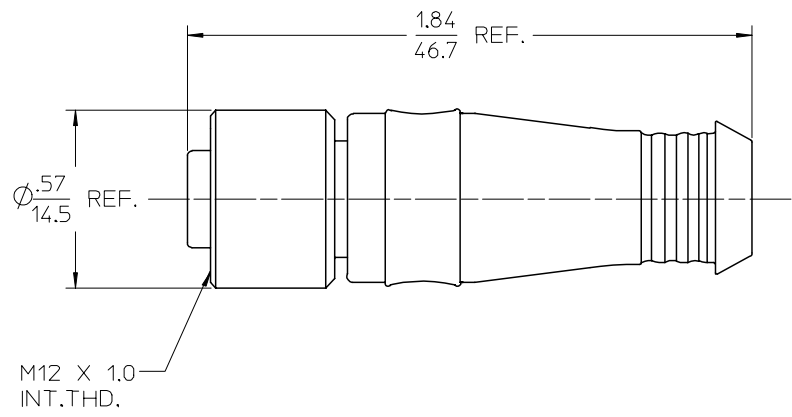


MOLEX PART NO.	OLD MOLEX PART NO.
845860019	845860007



FRONT VIEW - FEMALE INSERT



WIRING DIAGRAM

MATERIAL SPECIFICATIONS:

1. INSERT: GRAY PVC
2. CONTACTS: BRASS OR PHOSPHOR BRONZE W/GOLD FLASH OVER PALLADIUM NICKEL PLATING.
3. COUPLING NUT: NICKEL-BRASS
4. RESISTOR - 121 OHM 1/4 WATT
5. COMPONENTS USED IN THIS ASSEMBLY ARE RoHS COMPLIANT OR COMPLIANT BY EXEMPTION.

RELEASED EC NO: ETC2007-0424 DRWR: R. STONE 2007/05/16 CHKD: J. MACNEIL 2007/05/16 APPR: J. MACNEIL 2007/05/17	DESCRIPTION A	QUALITY SYMBOLS	GENERAL TOLERANCES (UNLESS SPECIFIED)	DIMENSION STYLE	SCALE	DESIGN UNITS	THIRD ANGLE PROJECTION															
		▽=0 ▽=0	<table border="1"> <thead> <tr> <th></th> <th>mm</th> <th>INCH</th> </tr> </thead> <tbody> <tr> <td>4 PLACES</td> <td>± ---</td> <td>± ---</td> </tr> <tr> <td>3 PLACES</td> <td>± ---</td> <td>± .005</td> </tr> <tr> <td>2 PLACES</td> <td>± 0.13</td> <td>± .01</td> </tr> <tr> <td>1 PLACE</td> <td>± 0.25</td> <td>± ---</td> </tr> </tbody> </table> ANGULAR ±1/2°		mm	INCH	4 PLACES	± ---	± ---	3 PLACES	± ---	± .005	2 PLACES	± 0.13	± .01	1 PLACE	± 0.25	± ---	IN/MM DRAWN BY: R. STONE DATE: 2007/05/16 CHECKED BY: J. MACNEIL DATE: 2007/05/17 APPROVED BY: J. MACNEIL DATE: 2007/05/17	---	INCH	THIRD ANGLE PROJECTION
			mm	INCH																		
		4 PLACES	± ---	± ---																		
3 PLACES	± ---	± .005																				
2 PLACES	± 0.13	± .01																				
1 PLACE	± 0.25	± ---																				
DRAFT WHERE APPLICABLE MUST REMAIN WITHIN DIMENSIONS		MATERIAL NO. SEE CHART	TITLE MICRO-C TERMINATOR, 5/C FEMALE, WITH RESISTOR	MOLEX INCORPORATED	SHEET NO. 1 OF 1																	
		THIS DRAWING CONTAINS INFORMATION THAT IS PROPRIETARY TO MOLEX INCORPORATED AND SHOULD NOT BE USED WITHOUT WRITTEN PERMISSION		DOCUMENT NO. SD-84586-009																		