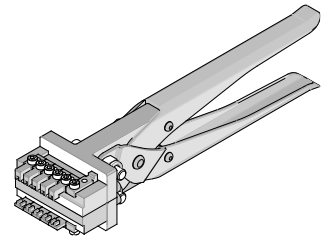


EnergetiC™ Right Angle Plug Removal Tool

molex®

Application Tooling Specification Sheet



Order No. 62100-7740

FEATURES

- A pliers-type tool used for removal of the plug assembly
- Can be adjusted to suit different power/signal plug combinations

SCOPE

Products: EnergetiC™ Right Angle Plug Assemblies with compliant tails, 171097 Series. See Product List below for specific part numbers.

Product List

The following is a partial list of the product order numbers and their specifications this tool is designed to be used on. Updates to this list are available on www.molex.com.

Series Number	Receptacle Assembly Order Number					
171097	171097-0007	171097-0008	171097-0009	171097-0010	171097-0011	171097-0012
	171097-0015					

DESCRIPTION

The 62100-7740 EnergetiC™ Right Angle Plug Removal Tool is a pliers- type tool for removing the compliant-pin plug assembly from a printed circuit board. The tool is approximately 225mm (8.9 in.) long by 44mm (1.7 in.) wide (closed) by 65mm (2.6 in.) thick and weighs 1 kg (2.2 lb.).

SET UP

This tool can remove plug assemblies with 2, 4, or 6 power circuits and 25 signal circuits. A full set of housing clamp fingers is mounted in the tool jaws. See Figure 1.

Determine which plug is to be removed, then position the clamp fingers to match the plug configuration. Unused fingers can be rotated upwards and stored on the tool jaw. See Figure 2.

For the clamp fingers that clamp the power bay, note that the front and rear clamps are different. The signal bay clamp fingers always engage the middle rectangular hole above the signal bay.

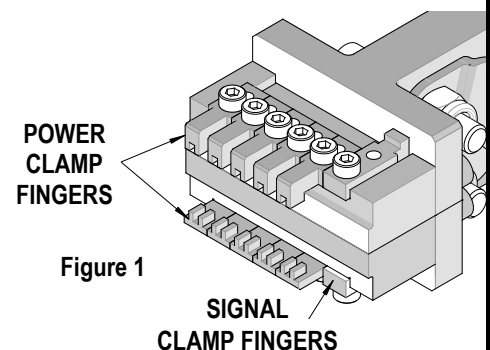


Figure 2 shows how the tool is adjusted for the 6-power assembly (171097-0007 or 171097-0010).

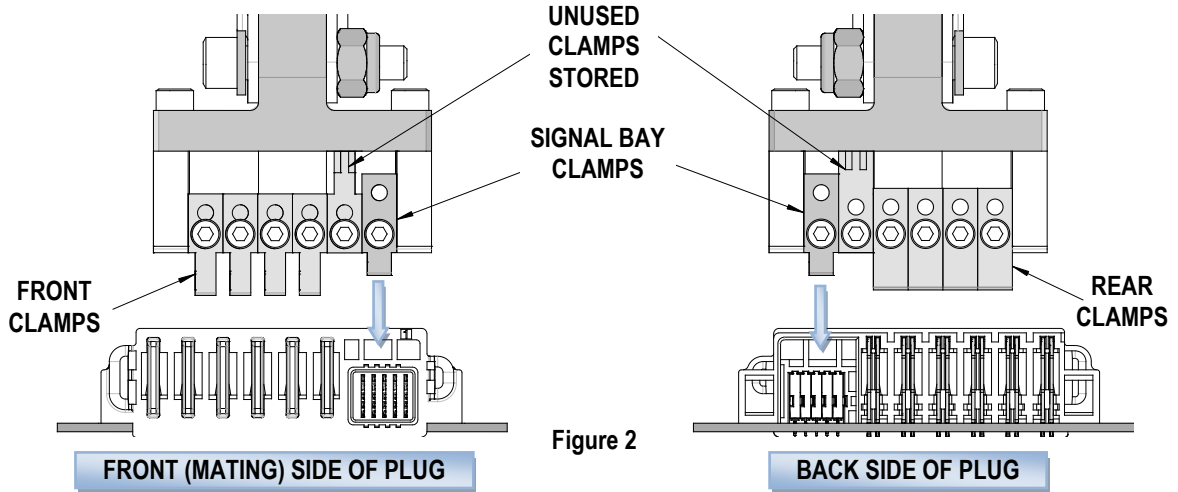


Figure 2

Figure 3 shows how the tool is adjusted for a 2-power assembly (171097-0009 or 171097-0012).

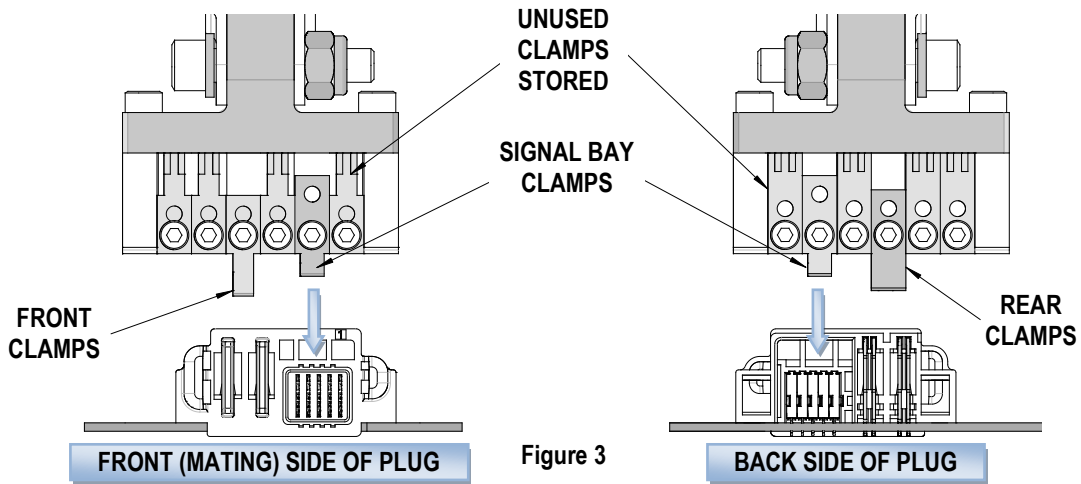


Figure 3

When positioning the clamps, try to keep the plug centered on the jaw width to avoid off-center loading.

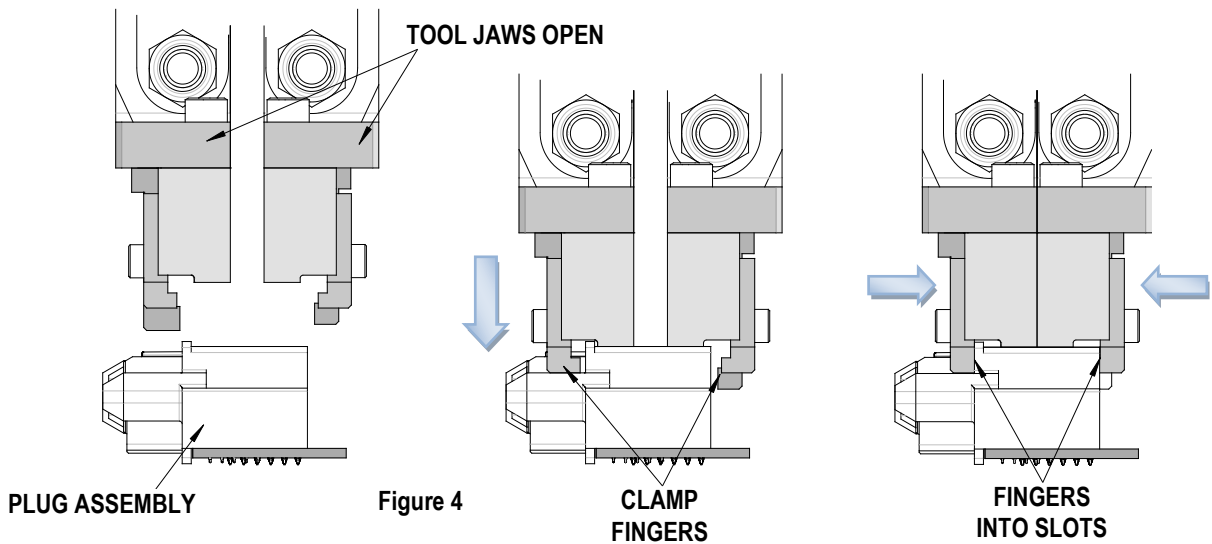


Figure 4

OPERATION:

1. If the plug has the bolt hole option, remove all screws holding the plug to the PCB.
2. Open the tool jaws slightly wider than the plug housing.
3. Position the grooves of the clamp fingers in-line with the small slots in the front and back of the housing. See Figure 4.
4. Close the tool jaws. Make sure the tips of the clamp fingers enter the slots.
5. While holding the jaws closed, slightly rock the tool back and forth. Pull up to remove the plug.

Maintenance

It is recommended that each operator of the tool be made aware of, and responsible for, the following maintenance steps:

1. Remove dust, moisture, and other contaminants with a clean brush, or soft, lint free cloth.
2. Do not use any abrasive materials that could damage the tool.
3. Make certain all pins; pivot points and bearing surfaces are protected with a thin coat of high quality machine oil. Do not oil excessively.
4. When tool is not in use, store in a clean, dry area.
5. There are no repair parts available for this tool. Should the tool be damaged a new tool is required.

CAUTION: Molex specifications are valid only when used with Molex connectors and tooling.

Visit our Web site at <http://www.molex.com>