

1

2

3

4

A

A

B

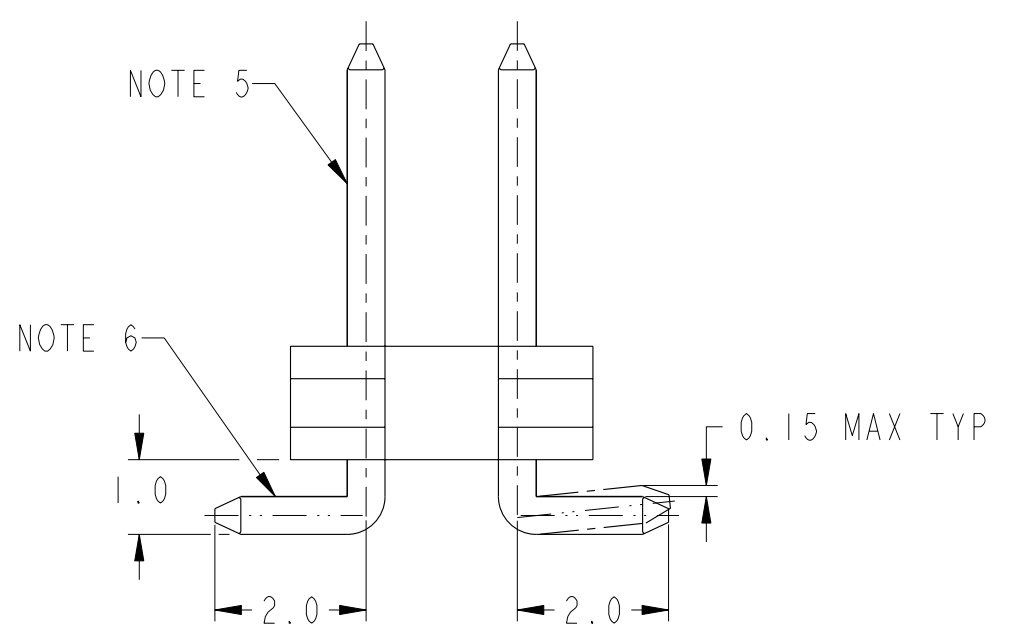
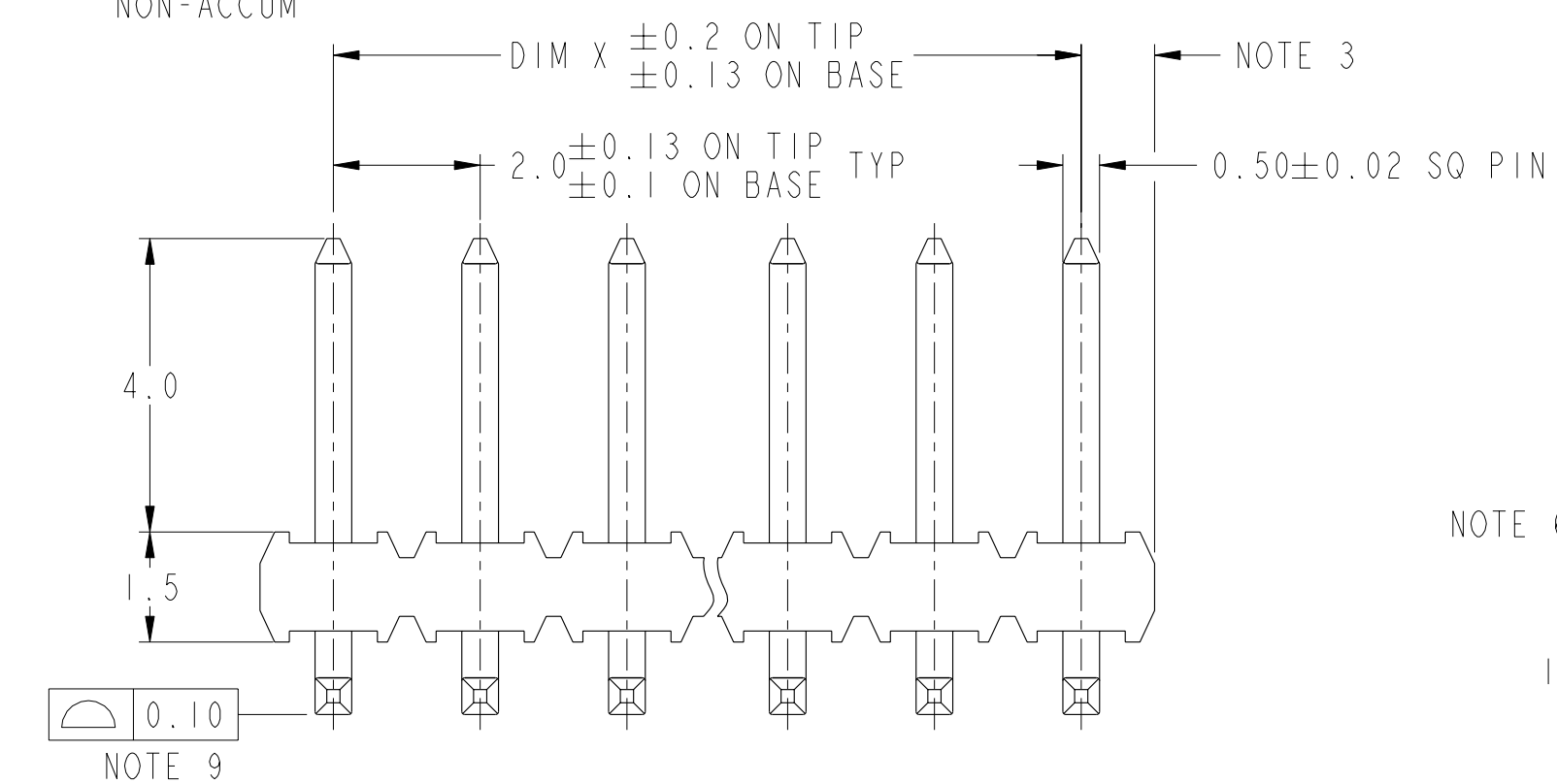
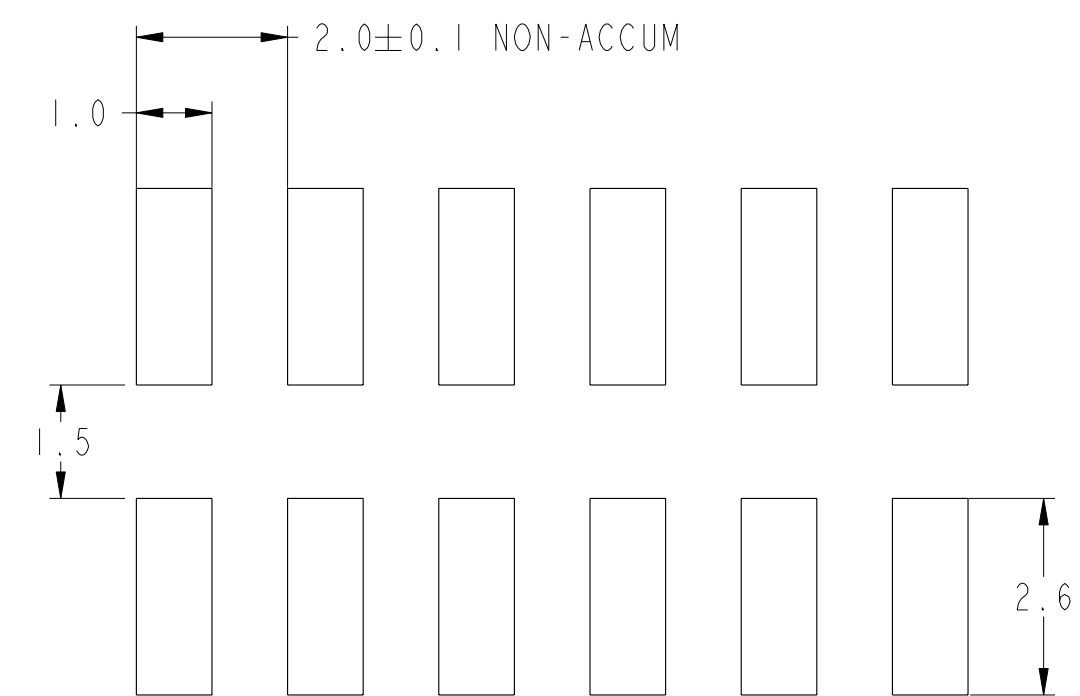
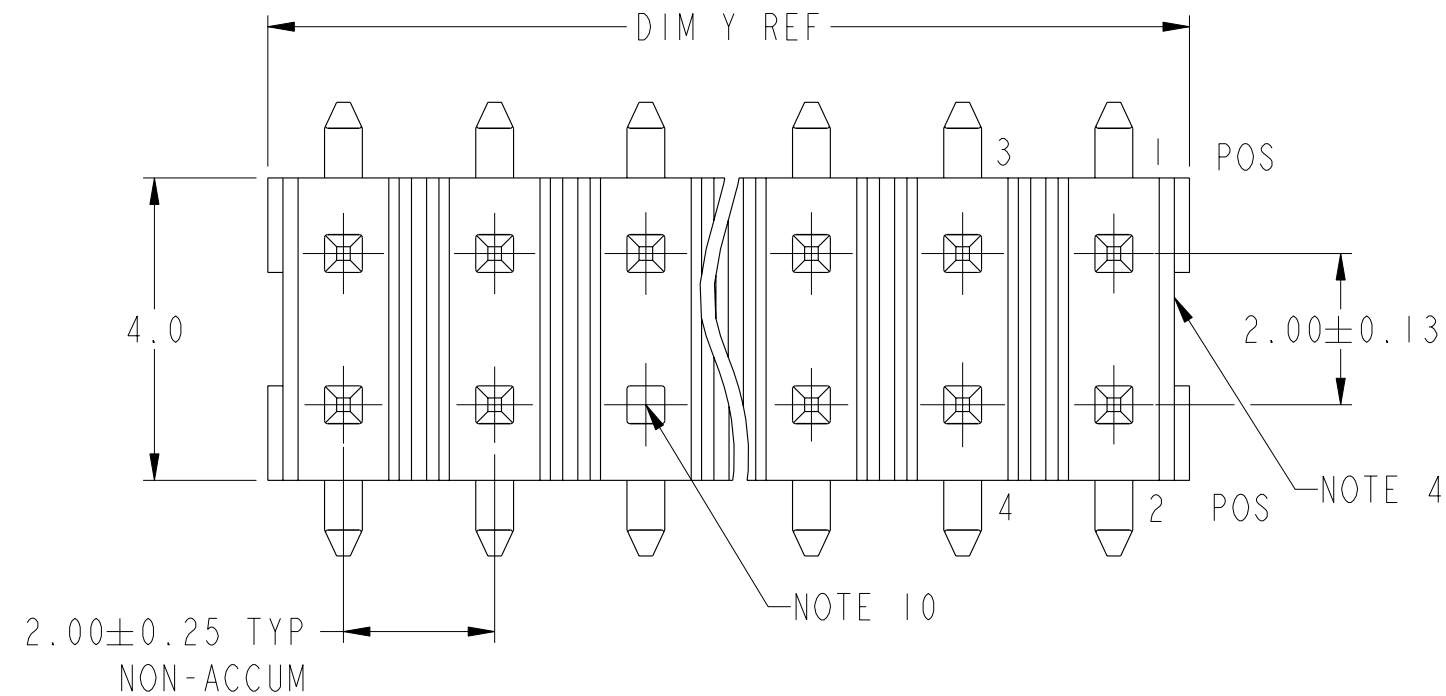
B

C

C

D

D



**CONFIDENTIAL**

www.fciconnect.com		surface - ✓ ISO 1302	tolerance std ISO 406 ISO 1101	projection MM
TOLERANCES UNLESS OTHERWISE SPECIFIED				
Dr	JPEH	2002/06/06	ANGULAR	0.X ±-
Eng	JPEH	2004/08/11	LINEAR	0.XX ±0.25
Chr	KH LEE	2009/12/17	0° ±3°	0.XXX ±-
Appr	JOEY NG	2009/12/17	Product family	MINITEK Spec ref -
FCI			POL. MINITEK II	
FCI			SMT STR HEADER (DUPLEX)	
catalog no			-	
dwg no			61698	
CUSTOMER			Rev. K	
sheet 1 of 2				

rev	ecn no	dr	date
E	S20062	JPEH	2002/06/06
F	S04-0172	JPEH	2004/08/11
G	S04-0224	KBM	2004/10/25
H	S05-0060	KBM	2005/02/28
J	S06-0236	KHL	2006/07/17
K	S10-0205	PR	2009/12/17
-	-	-	-

PRODUCT NO. SEE NOTE 8	POS	POL. POS	DIM X	DIM Y
61698-X01	2X22	20	42	44
-X02	2X13	1	24	26
-X03	2X16	3,4,5,6,32	30	32

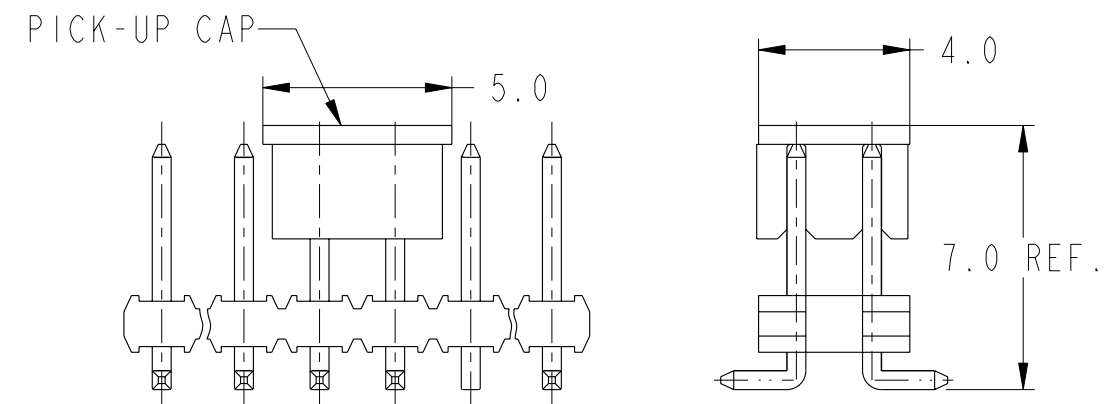


FIG. 1  
NOTE 7 (c)&(d)  
SCALE 5:1

NOTES:

1. MATERIAL:  
BODY : HIGH TEMPERATURE THERMOPLASTIC UL 94V-0 BLACK  
PIN : COPPER ALLOY
2. TOLERANCE UNLESS OTHERWISE NOTED  $\pm 0.25$
3. DIM 1.0 APPLIES TO MOLDED SIDE(S) ONLY.  
IF SIDE(S) ARE BROKEN, DIM 1.5 MAX APPLIES.
4. RECESS APPLIES TO MOLDED SIDE(S) ONLY.
5. PLATING ON MATING LENGTH:  
-3XX --- 0.38 $\mu$ m Au OVER 1.27 $\mu$ m MIN NICKEL UNDERPLATE.  
-5XX --- 0.38 $\mu$ m PdNi W Au FLASH OVER 1.27 $\mu$ m MIN NICKEL UNDERPLATE.  
-6XX --- 0.76 $\mu$ m PdNi W Au FLASH OVER 1.27 $\mu$ m MIN NICKEL UNDERPLATE.
6. SOLDER TAIL PLATING:  
a) SOLDER TAIL OF P/N:61698-XXX IS 3.81 $\mu$ m MIN TIN/LEAD (90/10) PLATED OVER 1.27 $\mu$ m MIN NICKEL UNDERPLATE.  
b) SOLDER TAIL OF P/N:61698-XXXLF IS 2.54 $\mu$ m MIN 100% MATTE TIN PLATED OVER 1.27 $\mu$ m MIN NICKEL UNDERPLATE (LEADFREE).
7. PACKAGING:  
a) STANDARD PACKAGING IN PLASTIC BAG.  
b) SPECIFY 61698-XXXT FOR TUBE PACKAGING.  
c) SPECIFY 61698-XXXTR FOR TAP AND REEL PACKAGING.  
A PICK-UP CAP IS PROVIDED IN THE CENTRE OF THE PRODUCT (SEE FIG.1) FOR PICK AND PLACE APPLICATION.  
d) SPECIFY 61698-XXXTC FOR TUBE PACKAGING WITH PICK-UP CAP IN CENTRE OF PRODUCT(SEE FIG.1).

8. PART NUMBER INFORMATION  
61698-XYZZLF  
LEAD FREE. SEE NOTES 6b,12  
TYPE OF PACKAGING SEE NOTE 7  
DASH NUMBER  
PLATING AT MATING. SEE NOTE 5  
BASE NUMBER
9. COPLANARITY OF SOLDER LEADS TO BE WITHIN 0.10mm.
10. POLARISED BY OMISSION OF PINS. REFER TO TABLE FOR POL. POS.
11. THE HOUSING WILL WITHSTAND EXPOSURE TO 255°C PEAK TEMPERATURE FOR 10 SECONDS IN A CONVECTION, INFRA-RED OR VAPOR PHASE REFLOW OVEN.
12. THIS PRODUCT MEETS EUROPEAN UNION DIRECTIVES AND OTHER COUNTRY REGULATIONS AS DESCRIBED IN GS-22-008.
13. A  $\triangle K$  SYMBOL WILL BE NEXT TO ANY DIMENSION, VIEW OR NOTE WHICH HAS BEEN MODIFIED WITH THE CURRENT DRAWING REVISION.



Copyright FCI.

**CONFIDENTIAL**

www.fciconnect.com		surface $\checkmark$ ISO 1302	tolerance std ISO 406 ISO 1101	projection 	MM Scale 10:1
TOLERANCES UNLESS OTHERWISE SPECIFIED					
Dr	JPEH	2002/06/06	ANGULAR	0.X	$\pm$
Eng	JPEH	2004/08/11	LINEAR	0.XX	$\pm 0.25$
Chr	KH LEE	2009/12/17	0° $\pm 3^\circ$	0.XXX	$\pm$
Appr	JOEY NG	2009/12/17	Product family	MINITEK	Spec ref -
FCI		POL. MINITEK II SMT STR HEADER (DUPLEX)		dwg no 61698	Rev. K
catalog no		-		CUSTOMER	sheet 2 of 2